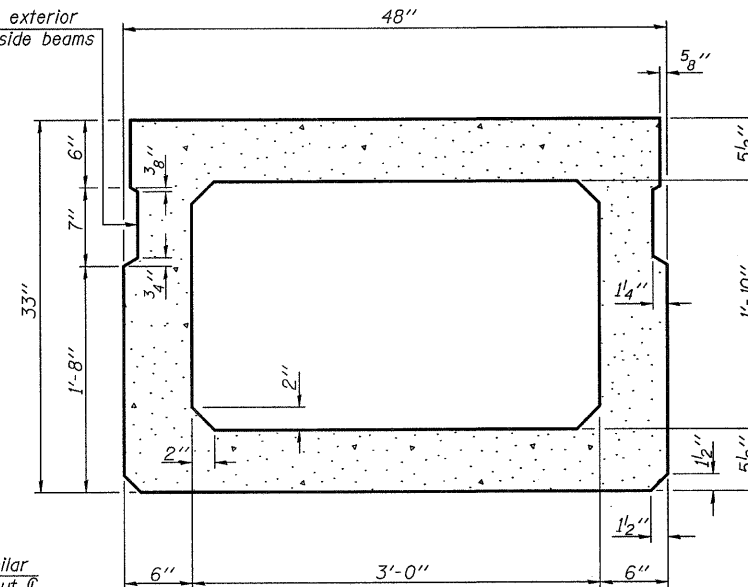


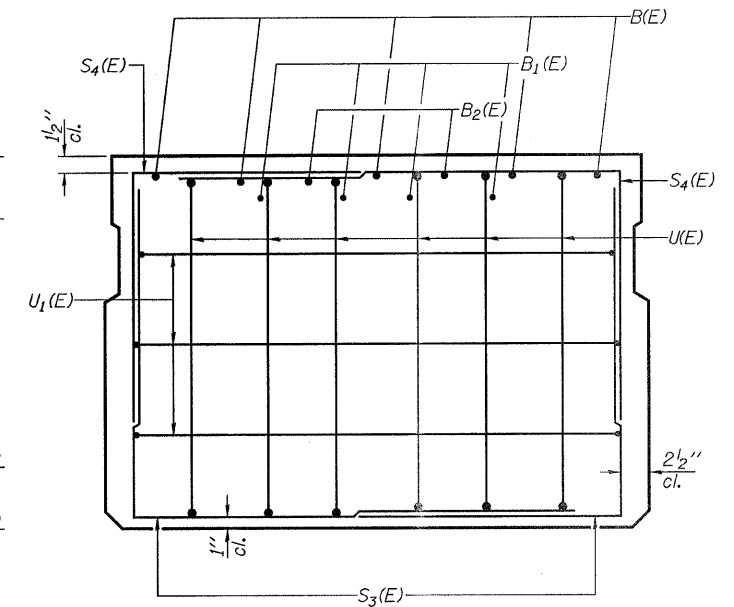
SECTION C-C

* Rail Post Anchor Devices (specified elsewhere) to be cast into exterior face of outside beams.

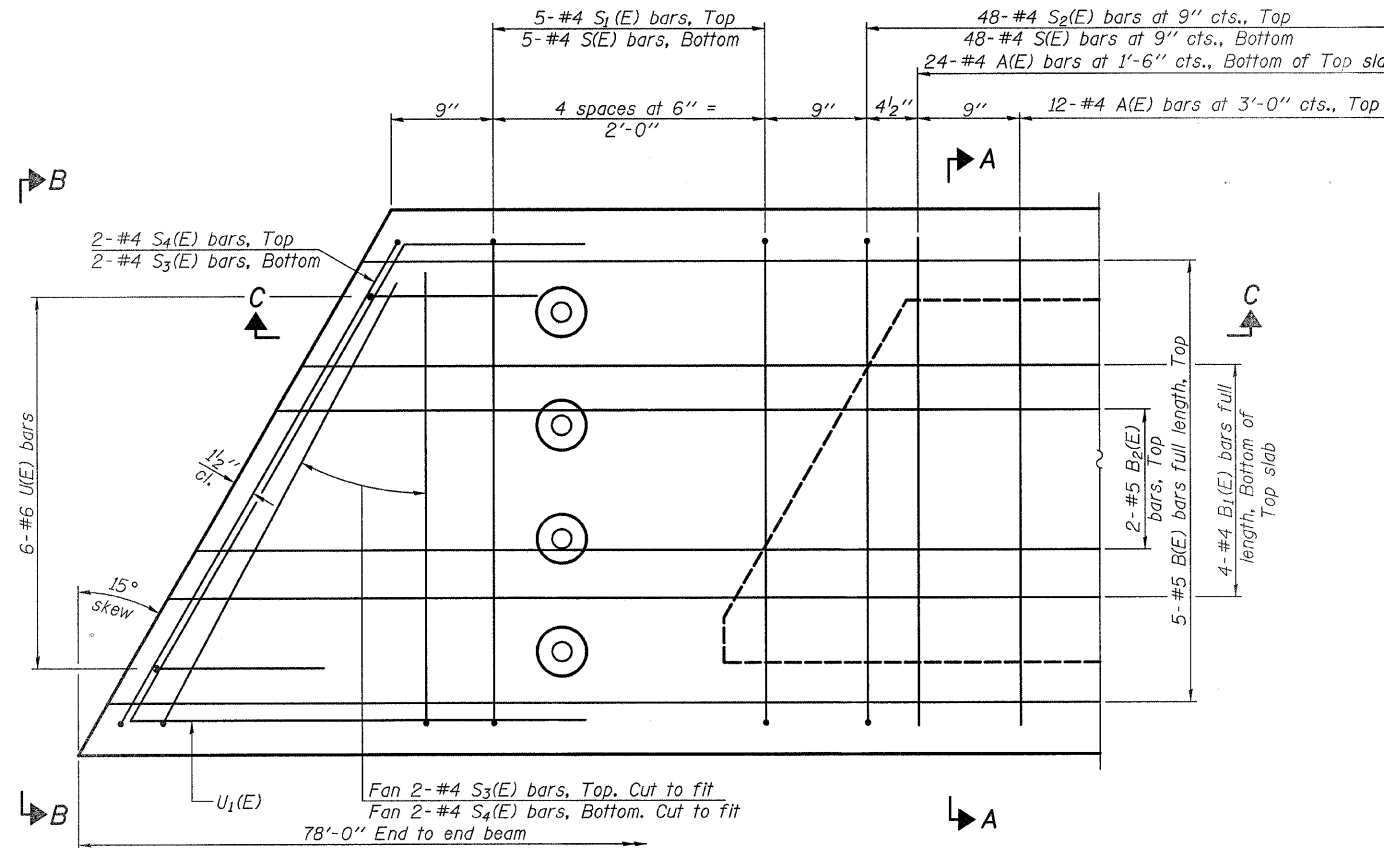
*Omit key on exterior face of outside beams



SECTION A-A
(Showing dimensions)

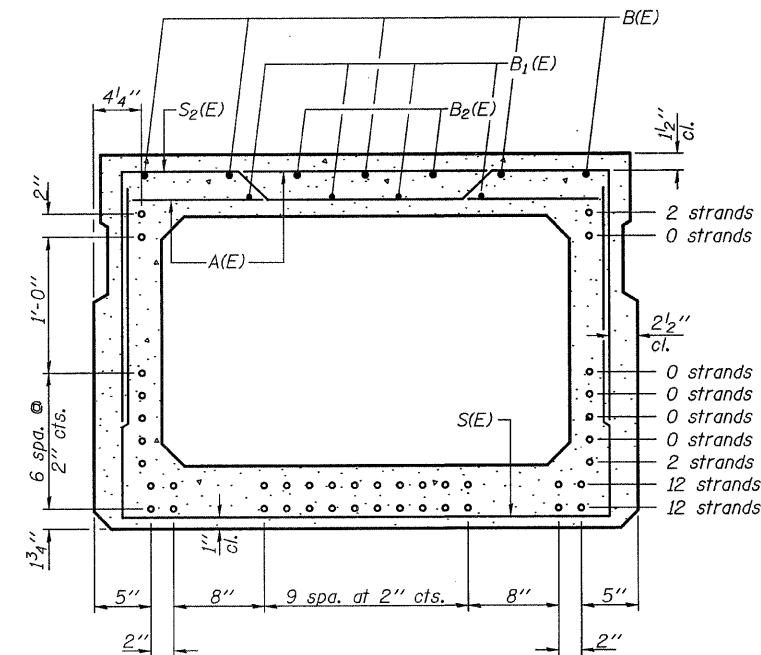


VIEW B-B



PLAN VIEW

Note: Spacing of S(E) and S2(E) bars may be adjusted up to 4" in the immediate area of the transverse tie diaphragms to miss the block outs for the transverse ties.



SECTION A-A

(Showing reinforcement and permissible strand locations)
Note: Place the number of strands specified in each row symmetrically about the centerline of beam in the permissible strand locations shown.

BAR LIST
ONE BEAM ONLY
(For information only)

Bar	No.	Size	Length	Shape
A(E)	72	#4	3'-7"	—
B(E)	10	#5	40'-0"	—
B1(E)	12	#4	27'-0"	—
B2(E)	4	#5	40'-0"	—
S(E)	106	#4	8'-5"	┌
S1(E)	10	#4	7'-3"	┌
S2(E)	96	#4	7'-6"	┌
S3(E)	8	#4	5'-5"	┌
S4(E)	8	#4	4'-10"	┌
UK(E)	12	#6	5'-0"	┌
U1(E)	6	#4	7'-1"	┌

Note: See sheets 11 & 12 for additional details and Bill of Material.

SUPERSTRUCTURE
33" X 48" PPC DECK BEAM
STRUCTURE NO. 084-3556

DESIGNED - S.M.S
CHECKED - S.W.M.
DRAWN - D.A.B.
CHECKED - D.T.M.

PD-3348-L 5-16-08

HAMPTON, LENZINI & RENWICK, INC.
CIVIL & STRUCTURAL ENGINEERS
LAND SURVEYORS
HLR
3085 STEVENSON DRIVE, SUITE 201
SPRINGFIELD, ILLINOIS 62703
(217) 548-3400
PROJECT NUMBER: 08.0042.130 DATE: 10/03/08

T.R.	SECTION	COUNTY	TOTAL SHEETS	SHEET NO.
348	07-09101-02-BR	SANGAMON	16	10
COTTON HILL ROAD DISTRICT		CONTRACT NO. 93507		
ILLINOIS FED. AID PROJECT				