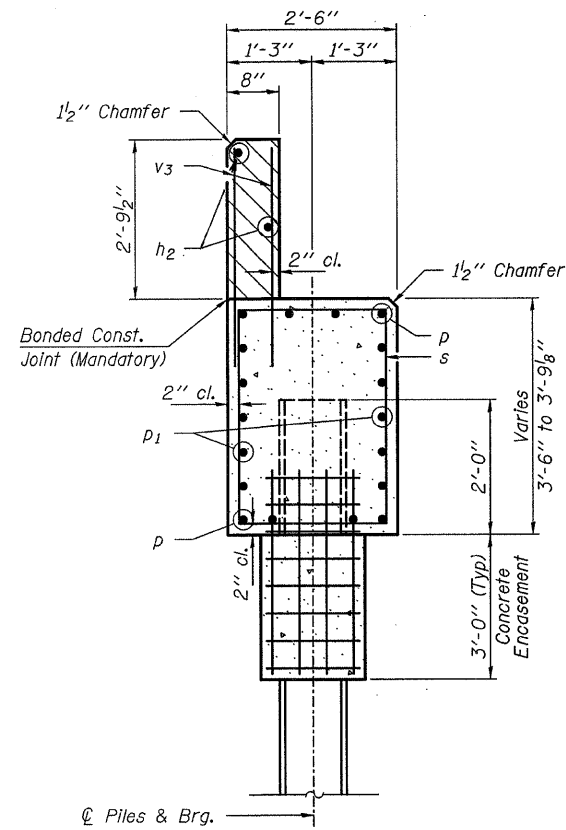
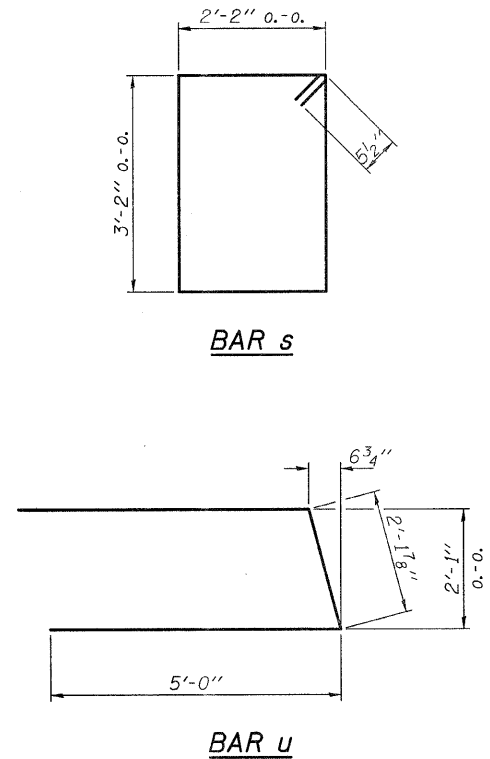


**PLAN**



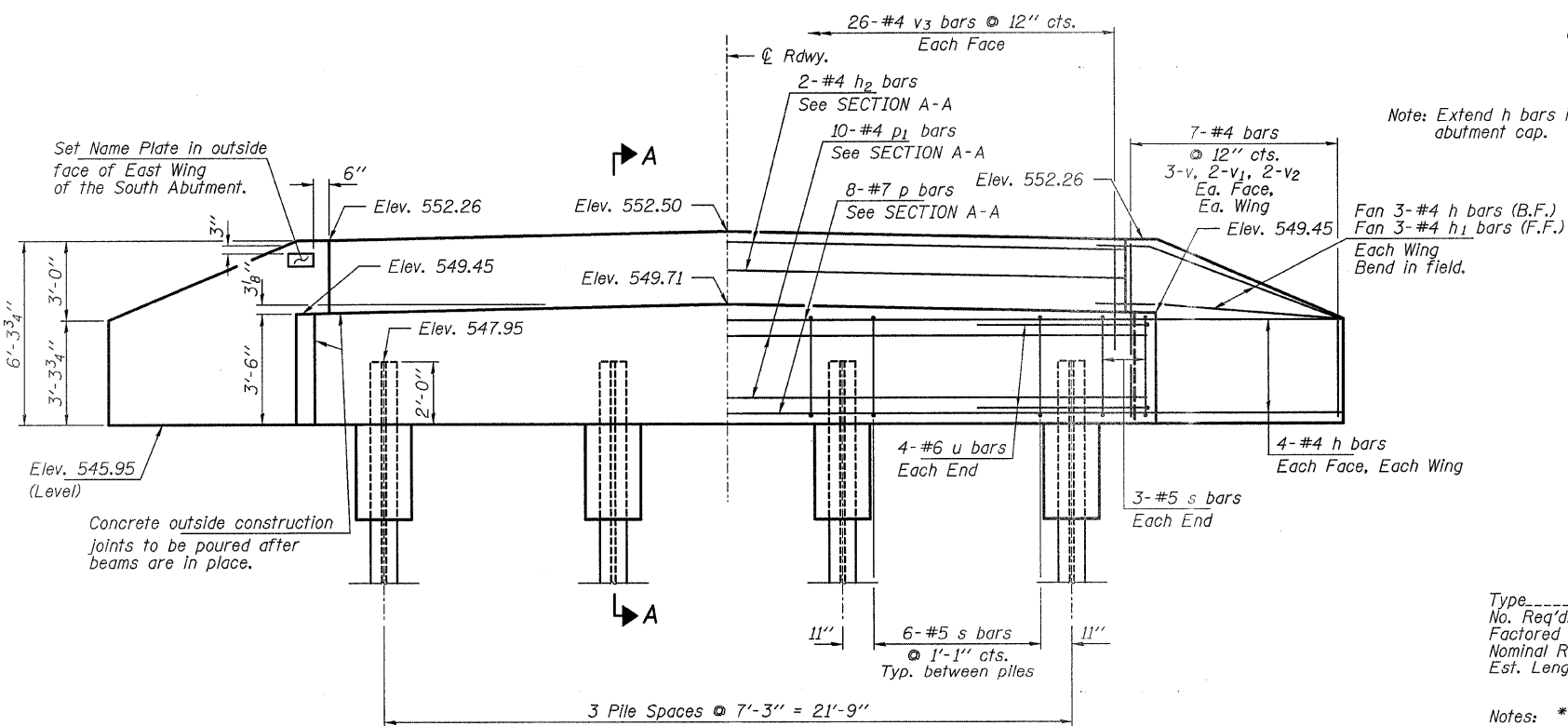
**SECTION A-A**

Hatched area to be poured after beams are in place.



**BAR s**

**BAR u**



**ELEVATION**

**PILE DATA**

Type ----- Steel HP12x53  
 No. Req'd. (2 Abuts.) ----- \*8  
 Factored Resistance Available ----- 209 Kips/Pile  
 Nominal Req'd Bearing ----- 419 Kips/Pile  
 Est. Length ----- 40 Ft/Pile

Notes: \*Includes one test pile to be driven in permanent location at the South Abutment.

The Steel H-Piles shall be according to AASHTO M270 Grade 50.

The test piles shall be driven to 110 percent of the Nominal Required Bearing Indicated in the pile data information.

**BILL OF MATERIAL - 2 ABUTS.**

BAR	NO.	SIZE	LENGTH	SHAPE
h	44	#4	8'-3"	—
h1	12	#4	6'-9"	—
h2	4	#4	26'-1"	—
p	16	#7	26'-1"	—
p1	20	#4	26'-1"	—
s	48	#5	11'-7"	□
u	16	#6	12'-2"	—
v	24	#4	5'-3"	—
v1	16	#4	4'-3"	—
v2	16	#4	3'-3"	—
v3	104	#4	3'-8"	—
Concrete Structures			Cu. Yd.	26.2
Concrete Encasement			Cu. Yd.	2.8
Reinforcement Bars			Pound	2,860
Steel Piles HP12x53			Foot	280
Test Pile Steel HP12x53			Each	1
Name Plates			Each	1

**ABUTMENTS  
STRUCTURE NO. 084-3556**

DESIGNED - S.M.S
CHECKED - S.W.M.
DRAWN - D.A.B.
CHECKED - D.T.M.

**HAMPTON, LENZINI & RENWICK, INC.**  
 CIVIL & STRUCTURAL ENGINEERS  
 LAND SURVEYORS  
**HLR**  
 3085 STEVENSON DRIVE, SUITE 201  
 SPRINGFIELD, ILLINOIS 62703  
 (217) 546-3400  
 PROJECT NUMBER: 08.0042.130      DATE: 10/09/08

T.R.	SECTION	COUNTY	TOTAL SHEETS	SHEET NO.
348	07-09101-02-BR	SANGAMON	16	14
COTTON HILL ROAD DISTRICT		CONTRACT NO. 93507		
ILLINOIS FED. AID PROJECT				