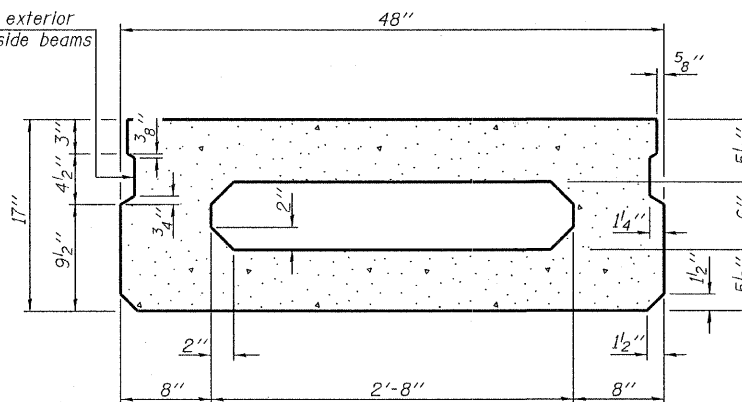
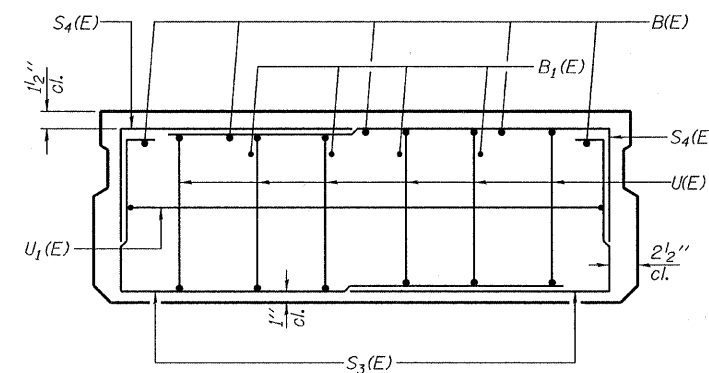


SECTION C-C

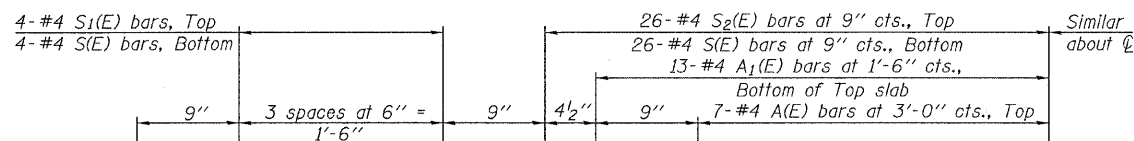
Omit key on exterior face of outside beams



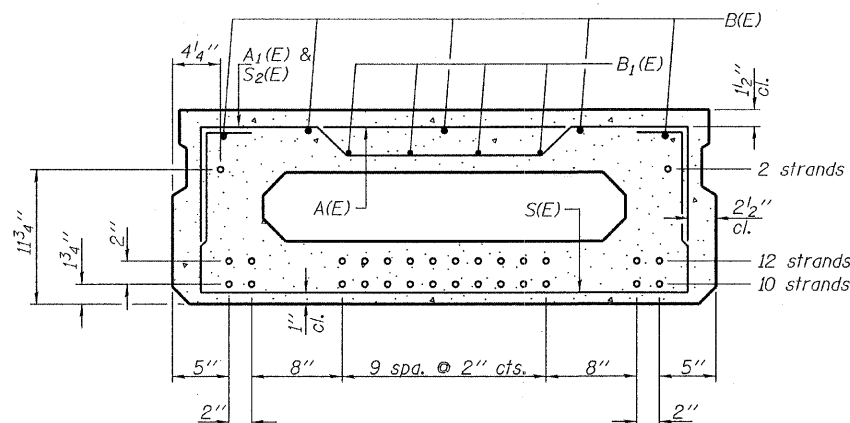
SECTION A-A
(Showing dimensions)



VIEW B-B



PLAN VIEW



SECTION A-A

(Showing reinforcement and permissible strand locations)

Note: Place the number of strands specified in each row symmetrically about the centerline of beam in the permissible strand locations shown.

BAR LIST
ONE BEAM ONLY
(For information only)

Bar	No.	Size	Length	Shape
A(E)	14	#4	3'-7"	—
A1(E)	26	#4	3'-10"	~
B(E)	5	#5	43'-8"	—
B1(E)	4	#4	43'-8"	—
S(E)	60	#4	6'-9"	U
S1(E)	8	#4	5'-3"	U
S2(E)	52	#4	5'-6"	U
S3(E)	6	#4	4'-4"	U
S4(E)	6	#4	3'-7"	U
U(E)	12	#5	3'-8"	U
U1(E)	2	#4	6'-4"	U

Note: See sheets 3 & 4 of 10 for additional details and Bill of Material.

Note: Spacing of S(E) and S2(E) bars may be adjusted up to 4" in the immediate area of the transverse tie diaphragms to miss the block outs for the transverse ties.

DESIGNED - A.S.L.
CHECKED - S.W.M.
DRAWN - D.A.B.
CHECKED - D.T.M.

PD-1748-L

10-1-08

SUPERSTRUCTURE
17" X 48" PPC DECK BEAM
STRUCTURE NO. 096-3446

HAMPTON, LENZINI & RENWICK, INC. CIVIL & STRUCTURAL ENGINEERS LAND SURVEYORS 3085 STEVENSON DRIVE, SUITE 201 SPRINGFIELD, ILLINOIS 62703 (217) 546-3400	SHEET NO. 2 10 SHEETS	C.H.	SECTION	COUNTY	TOTAL SHEETS	SHEET NO.
		7	07-00116-00-BR	WAYNE	16	8
PROJECT NUMBER: 08.0219.130		DATE: 06/17/09		CONTRACT NO. 95589		
FED. ROAD DIST. NO.		ILLINOIS		FED. AID PROJECT		