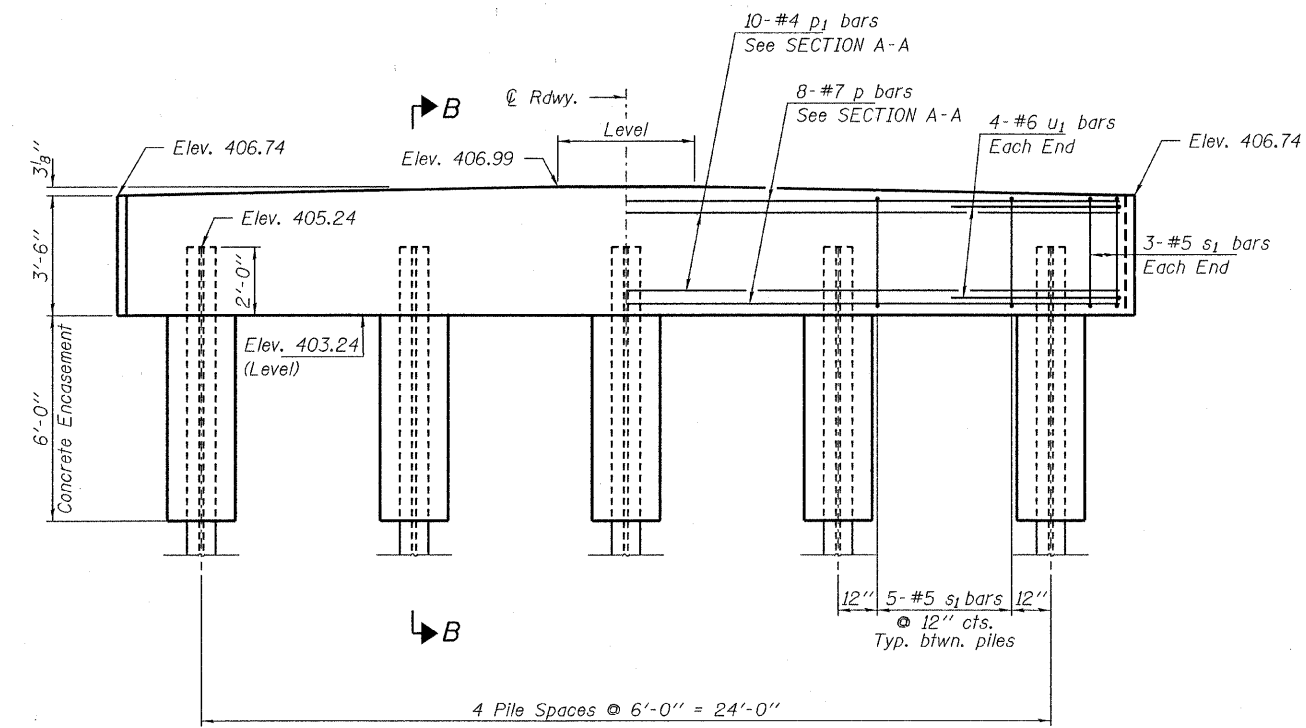
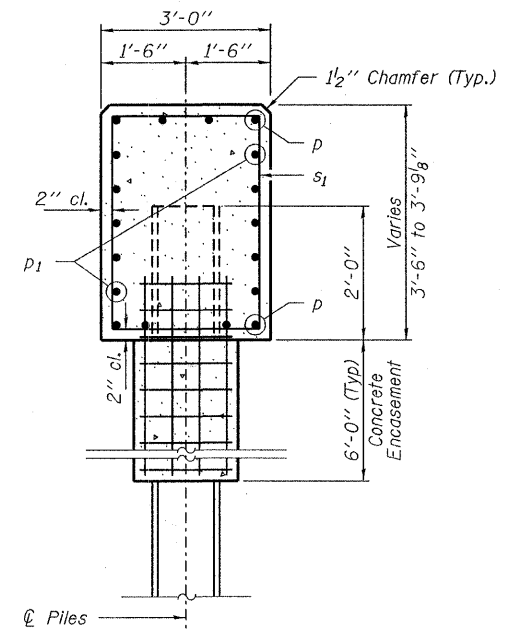


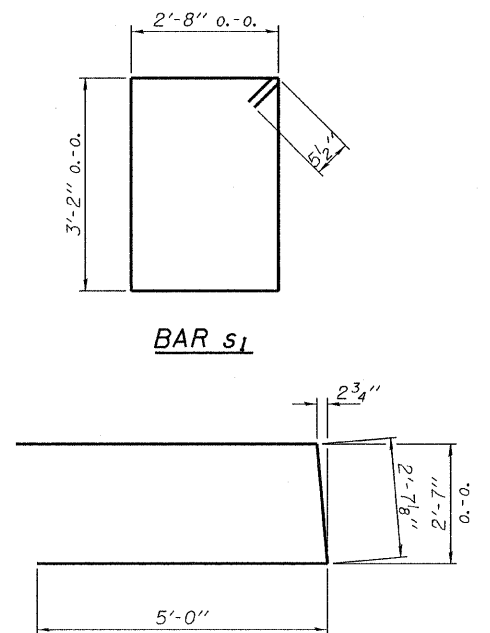
PLAN



ELEVATION



SECTION A-A



BAR u_1

PILE DATA

Type	Steel HP12x53
No. Req'd. (2 Piers)	10
Factored Resistance Available (Rf)	209 Kips/Pile
Nominal Required Bearing (Rn)	419 Kips/Pile
Est. Length	60 Ft/Pile

Notes: * Includes one test pile to be driven in permanent location at Pier 1.

The Steel H-Piles shall be according to AASHTO M270 Grade 50.

The test piles shall be driven to 110 percent of the Nominal Required Bearing indicated in the pile data information.

BILL OF MATERIAL - 2 PIERS

BAR	NO.	SIZE	LENGTH	SHAPE
p	16	#7	29'-4"	—
p_1	20	#4	29'-4"	—
s_1	52	#5	12'-7"	□
u_1	16	#6	12'-8"	—
Concrete Structures			Cu. Yd.	24.0
Concrete Encasement			Cu. Yd.	6.8
Reinforcement Bars			Pound	2,340
Steel Piles HP12x53			Foot	540
Test Pile Steel HP12x53			Each	1

**PIERS
STRUCTURE NO. 096-3446**

DESIGNED - A.S.L.
CHECKED - S.W.M.
DRAWN - D.A.B.
CHECKED - D.T.M.

HAMPTON, LENZINI & RENWICK, INC.
 CIVIL & STRUCTURAL ENGINEERS
 LAND SURVEYORS
HLR 3085 STEVENSON DRIVE, SUITE 201
 SPRINGFIELD, ILLINOIS 62703
 (217) 546-3400

SHEET NO. 7
10 SHEETS

C.H.	SECTION	COUNTY	TOTAL SHEETS	SHEET NO.
7	07-00116-00-BR	WAYNE	16	13
CONTRACT NO. 95589				
FED. ROAD DIST. NO.	ILLINOIS	FED. AID PROJECT		

PROJECT NUMBER: 08 0219.130 DATE: 06/17/09