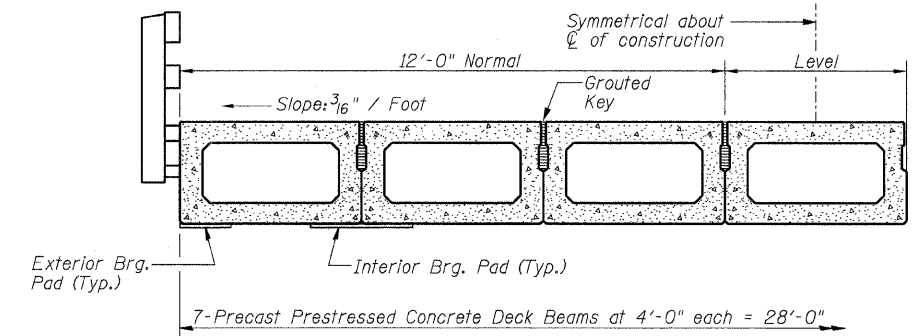
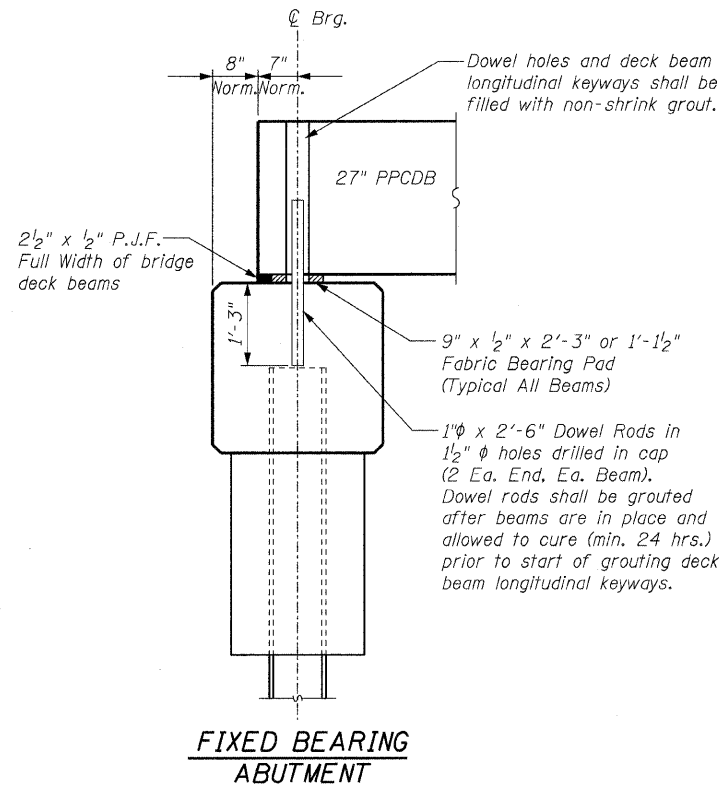
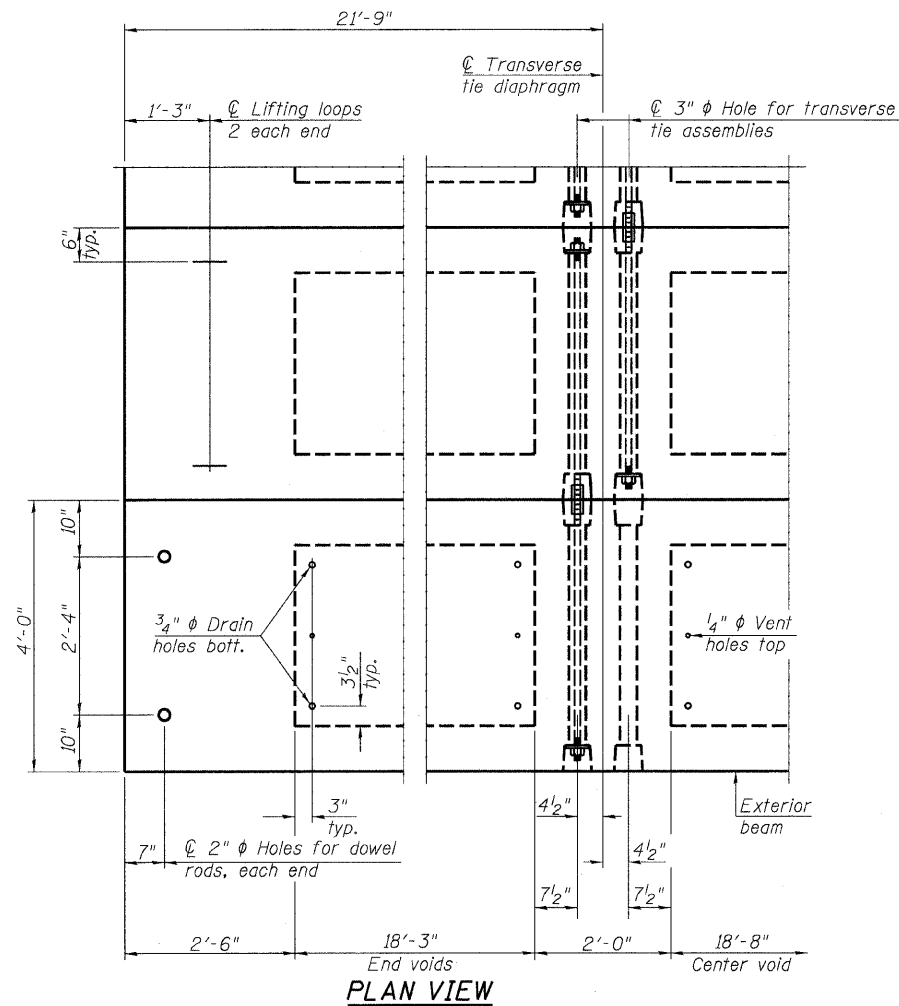
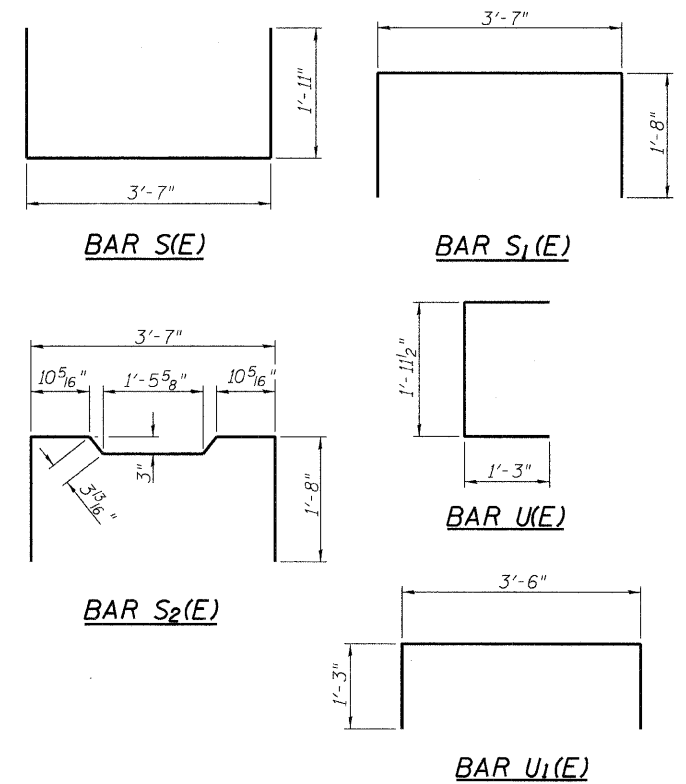
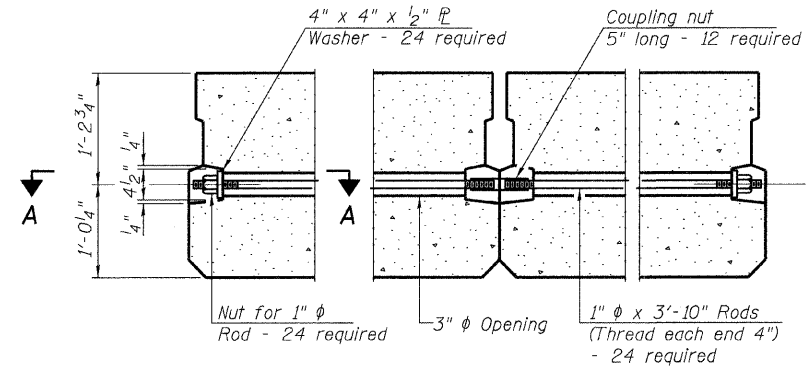
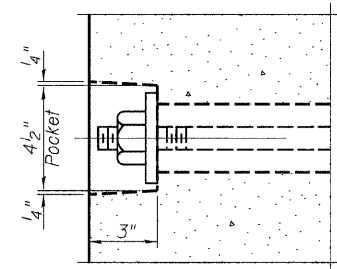
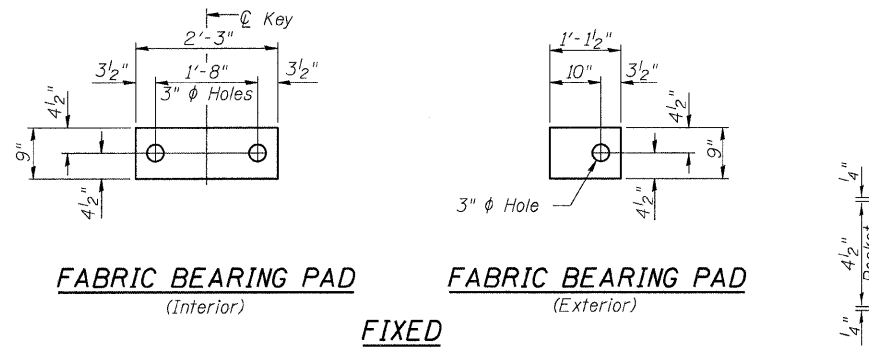


STATE OF ILLINOIS
DEPARTMENT OF TRANSPORTATION



See Sheet 4 for the details showing the spacing and mounting of posts and rails to the PPCDB.

NOTES

- Prestressing steel shall be uncoated high strength, low relaxation 7-wire strand, Grade 270. The nominal diameter shall be 1/2" and the nominal cross-sectional area shall be 0.153 sq. in.
- The 1" ϕ rods in the transverse tie assembly shall be tightened to a snug fit and the threads set. Pockets on exterior faces of bridge shall be filled with grout after transverse tie assembly is in place.
- Reinforcement bars shall conform to ASTM A 706, Grade 60. (See Special Provisions).
- Bars designated (E) shall be epoxy coated.
- Two 1/8" fabric adjusting shims of the dimensions of the exterior bearing pad shall be provided for each bearing pad location.
- A minimum 2 1/2" ϕ lifting pin shall be used to engage the lifting loops during handling.
- Corrosion Inhibitor, per Article 1020.05(b)(12) and 1021.06 of the Standard Specifications, shall be used in the concrete for precast prestressed concrete deck beams.
- Compressive strength of prestressed concrete, f'c, shall be 6000 psi.
- Compressive strength of prestressed concrete at release, f'cl, shall be 5000 psi.

BILL OF MATERIAL

Precast Prestressed Conc. Deck Bms. (27" depth)	Sq. Ft.	1797
---	---------	------

**27" X 48" PPC DECK BEAM DETAILS
STRUCTURE NO. 017-3059**

SHEET NO. 3 6 SHEETS	F.A.S. RTE.	SECTION	COUNTY	TOTAL SHEETS	SHEET NO.
	696	08-00092-00-BR	CRAWFORD	10	7
FED. ROAD DIST. NO. 7 ILLINOIS			CONTRACT NO. 95598		
FED. AID PROJECT					

10/21/2009 RAAI #51009

DESIGNED -
CHECKED -
DRAWN -
CHECKED -

PD-2748-0D

10-1-08

