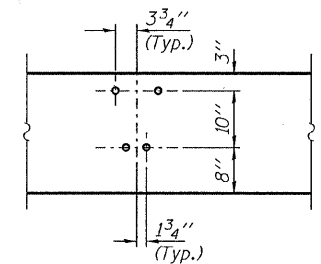
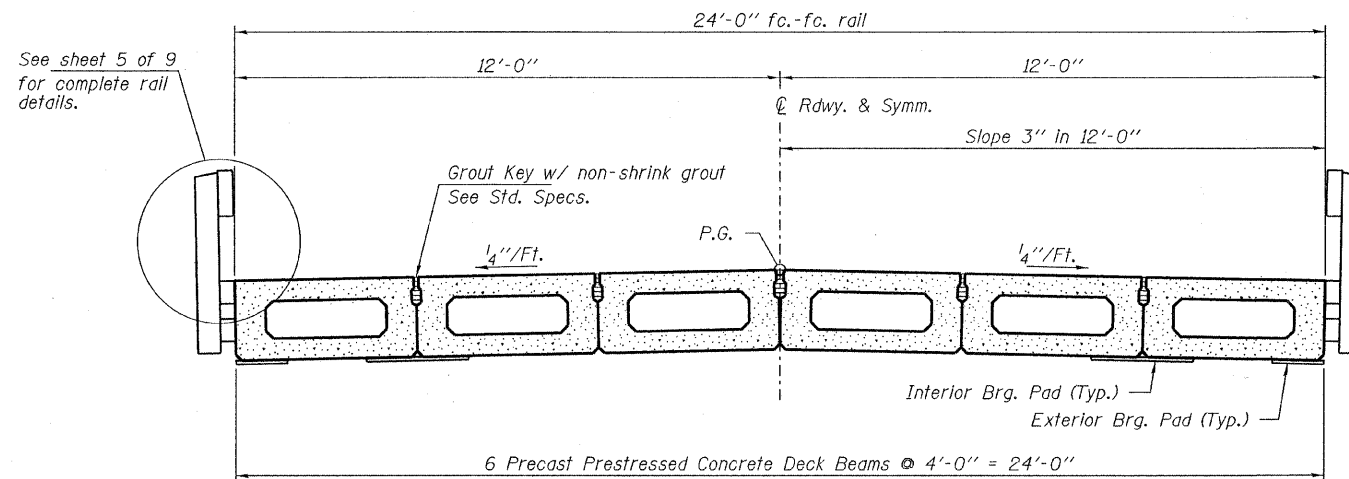


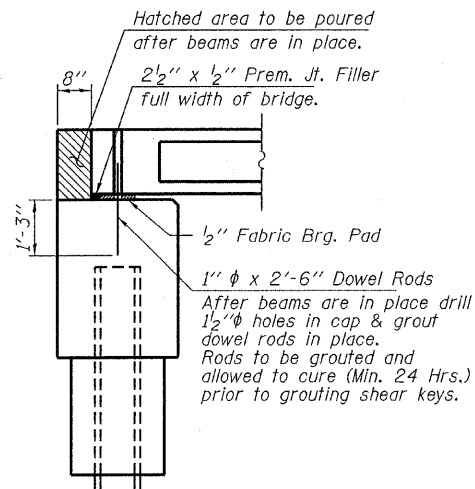
**ELEVATION**  
Showing Rail Post Spaces  
See sheet 5 of 9 for Railing Details.



**DETAIL A**



**CROSS SECTION**  
See sheets 2 & 3 of 9 for Superstructure.



**SECTION AT ABUTMENTS**  
© Rt. L's

DESIGNED - A.S.L.
CHECKED - S.W.M.
DRAWN - D.A.B.
CHECKED - D.T.M.

**SUPERSTRUCTURE DETAILS**  
**STRUCTURE NO. 024-3137**

<b>HAMPTON, LENZINI &amp; RENWICK, INC.</b> CIVIL & STRUCTURAL ENGINEERS LAND SURVEYORS 3085 STEVENSON DRIVE, SUITE 201 SPRINGFIELD, ILLINOIS 62703 (217) 546-3400 PROJECT NUMBER: 09.0047.130    DATE: 10/15/09	SHEET NO. 4	C.H.	SECTION	COUNTY	TOTAL SHEETS	SHEET NO.
	9 SHEETS	4	07-00064-00-BR	EDWARDS	13	8
			CONTRACT NO. 95606			
			FED. ROAD DIST. NO.	ILLINOIS	FED. AID PROJECT	