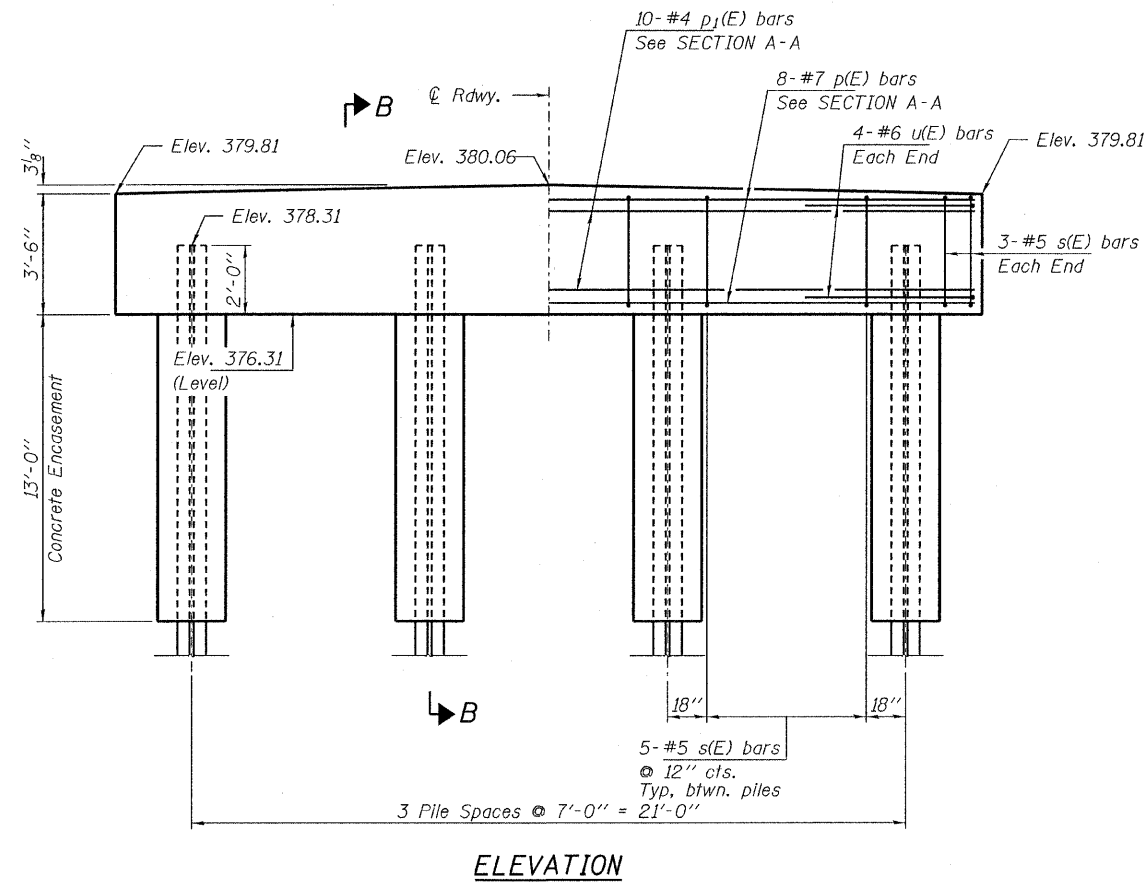
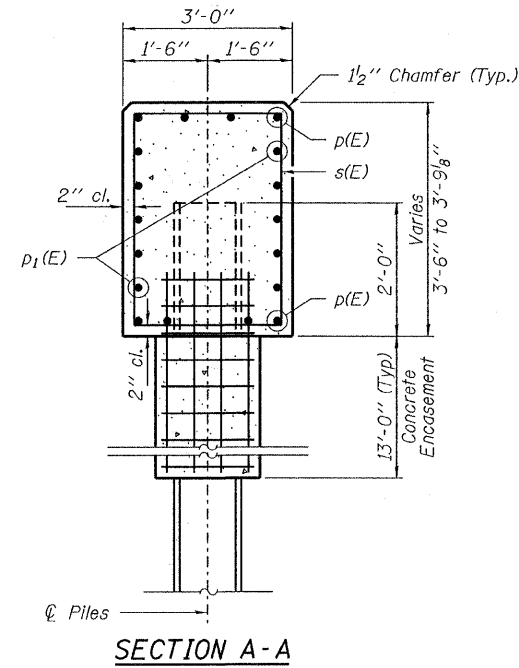


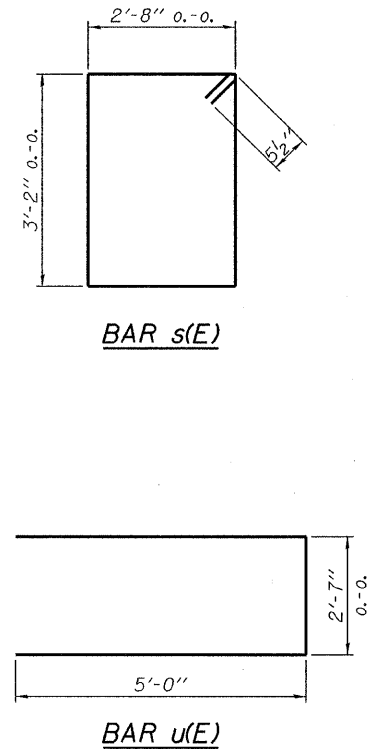
PLAN



ELEVATION



SECTION A-A



BILL OF MATERIAL - 2 PIERS

BAR	NO.	SIZE	LENGTH	SHAPE
p(E)	16	#7	25'-2"	—
p ₁ (E)	20	#4	25'-2"	—
s(E)	42	#5	12'-7"	□
u(E)	16	#6	12'-7"	▭
Concrete Structures			Cu. Yd.	20.6
Concrete Encasement			Cu. Yd.	11.8
Reinforcement Bars			Pound	2,010
Steel Piles HP10x42			Foot	455
Test Pile Steel HP10x42			Each	1

PILE DATA

Type Steel HP10x42
 No. Req'd. (2 Piers) *8
 Factored Resistance Available (R_f) 167 Kips/Pile
 Nominal Required Bearing (R_n) 335 Kips/Pile
 Est. Length 65 Ft/Pile

Notes: *Includes one test pile to be driven in permanent location at Pier 2.

The Steel H-Piles shall be according to AASHTO M270 Grade 50.

The test piles shall be driven to 110 percent of the Nominal Required Bearing indicated in the pile data information.

DESIGNED - A.S.L.
CHECKED - S.W.M.
DRAWN - D.T.M.
CHECKED - D.A.B.

PIERS
 STRUCTURE NO. 096-3451

HAMPTON, LENZINI AND RENWICK, INC. CIVIL ENGINEERS - STRUCTURAL ENGINEERS - LAND SURVEYORS 3085 STEVENSON DRIVE, SUITE 201 SPRINGFIELD, ILLINOIS 62703 217.546.3400 www.hlrengineering.com	SHEET NO. 7 10 SHEETS	T.R.	SECTION	COUNTY	TOTAL SHEETS	SHEET NO.
		622	08-15143-00-BR	WAYNE	14	11
PROJECT NUMBER: 09.0060.130 DATE: 08/22/09		LEECH ROAD DISTRICT		CONTRACT NO. 95607		
		FED. ROAD DIST. NO.	ILLINOIS	FED. AID PROJECT		