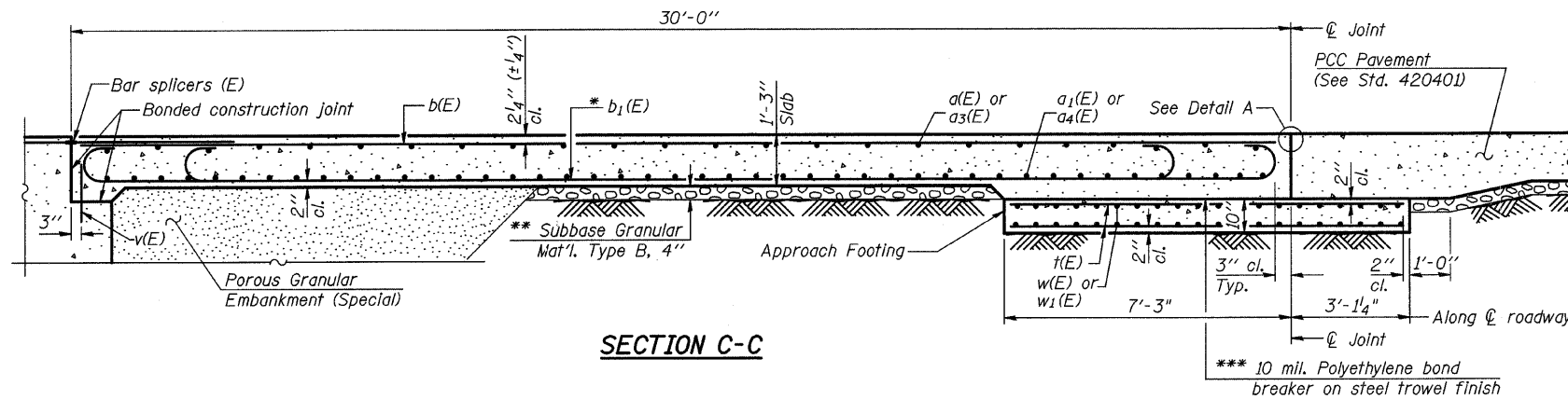
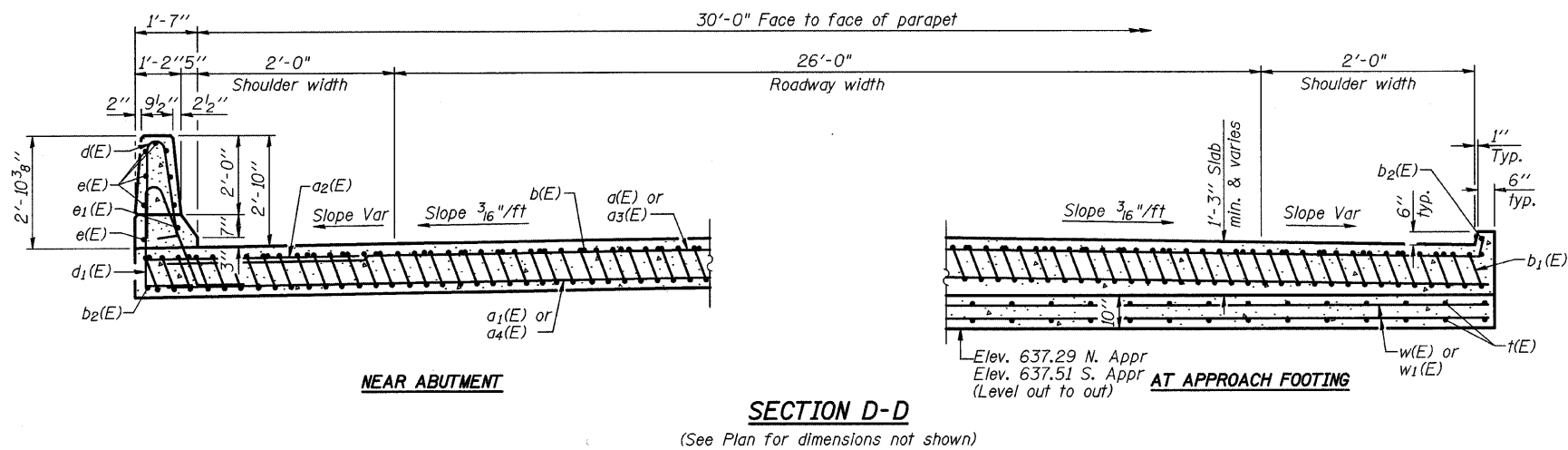


ROUTE NO.	SECTION	COUNTY	TOTAL SHEETS	SHEET NO.
FAU 7432	*	MACON	47	21
FED. ROAD DIST. NO.		ILLINOIS	PROJECT	

• 08-00602-00-BR



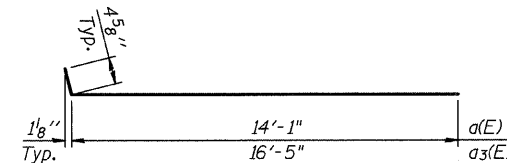
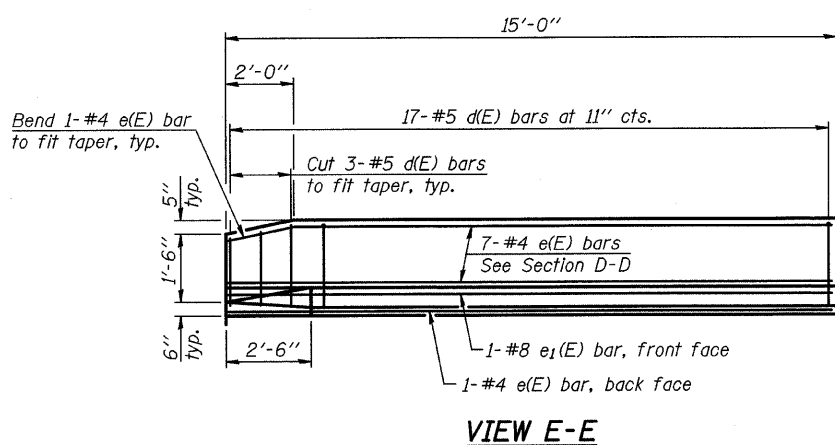
Notes:  
See sheet 10 of 26 for Detail A and View B-B.  
Approach slab and parapet concrete shall be paid for as Concrete Superstructure.  
Approach footing concrete shall be paid for as Concrete Structures.  
Reinforcement shall be paid for as Reinforcement Bars, Epoxy Coated.  
For v(E) bar details, see sheet 15 of 26.  
The approach footing maximum applied service bearing pressure (Qmax) = 2.0 ksf.  
For bar splicer details, see sheet 25 of 26.  
Cost of excavation for approach footing included with Concrete Structures.  
For Porous Granular Embankment (Special) and drainage treatment details, see sheet 2 of 26.



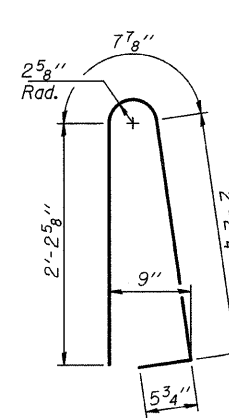
\* Tilt #9 b<sub>1</sub>(E) bars as required to maintain clearance.  
\*\*\* Cost included with Concrete Superstructure.

**TWO APPROACHES  
BILL OF MATERIAL**

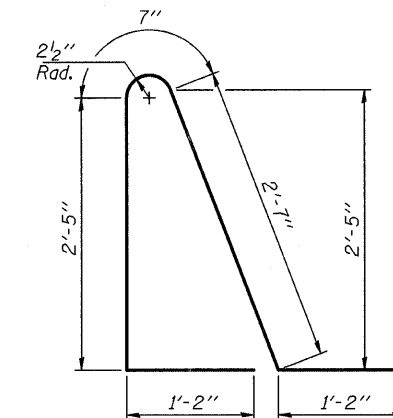
Bar	No.	Size	Length	Shape
a(E)	50	#4	14'-6"	—
a <sub>1</sub> (E)	92	#5	14'-1"	—
a <sub>2</sub> (E)	48	#6	6'-0"	—
a <sub>3</sub> (E)	50	#4	16'-10"	—
a <sub>4</sub> (E)	92	#5	16'-5"	—
b(E)	62	#4	29'-8"	—
b <sub>1</sub> (E)	144	#9	29'-9"	—
b <sub>2</sub> (E)	8	#4	14'-8"	—
c(E)				
d(E)	68	#5	5'-7"	—
d <sub>1</sub> (E)	68	#5	7'-11"	—
e(E)	32	#4	14'-8"	—
e <sub>1</sub> (E)	4	#8	14'-8"	—
k(E)	132	#4	10'-0"	—
w(E)	80	#5	14'-5"	—
w <sub>1</sub> (E)	80	#5	17'-5"	—
Concrete Superstructure		Cu. Yd.	96.9	
Concrete Structures		Cu. Yd.	20.3	
Protective Coat		Sq. Yd.	236	
Reinforcement Bars, Epoxy Coated		Pound	25,240	



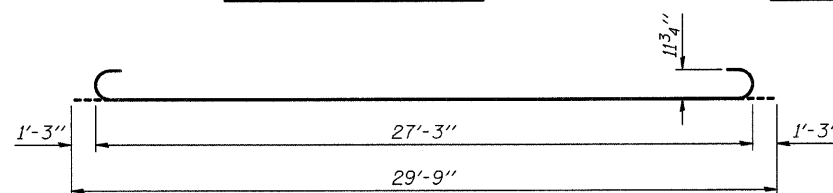
BAR a(E) AND a<sub>3</sub>(E)



BAR d(E)



BAR d<sub>1</sub>(E)



BAR b<sub>1</sub>(E)

**BRIDGE APPROACH SLAB DETAILS**

REVISIONS	SECTION 08-00602-00-BR	MACARTHUR ROAD (FAU 7432)	DRAWN BY DATE
No.	DATE	INITIALS	R KING 07/09
1			CHECKED BY DATE
2			JMB 07/09
3			BOOK NUMBER
4			486
5			PROJECT NO.
6			5307
7			SHEET NO.
8			
9			
10			

HOMER L. CHASTAIN & ASSOCIATES, LLP  
CONSULTING ENGINEERS  
184-001377  
DECATUR CHICAGO  
(217) 422-8544 (773) 714-0050  
ROCKFORD  
(815) 489-0050