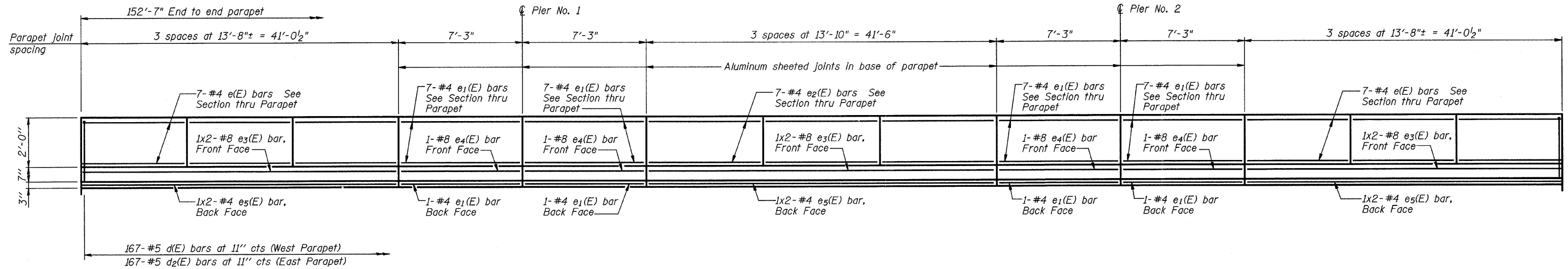
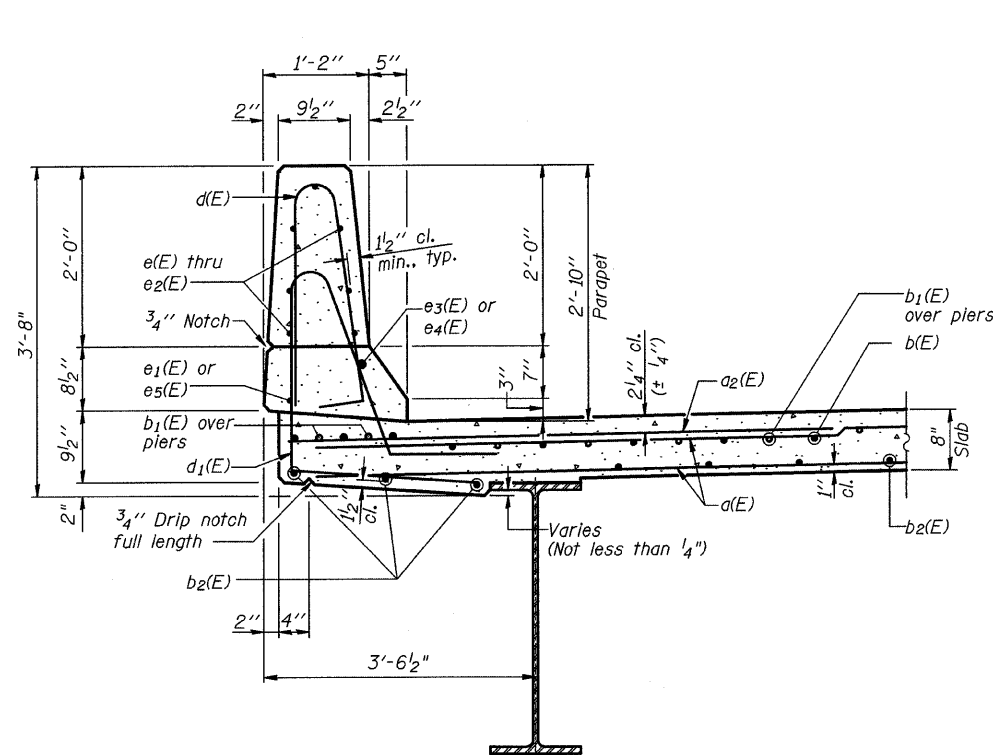


ROUTE NO.	SECTION	COUNTY	TOTAL SHEETS	SHEET NO.
FAU 7432	*	MACON	47	23
FED. ROAD DIST. NO.		ILLINOIS	PROJECT	

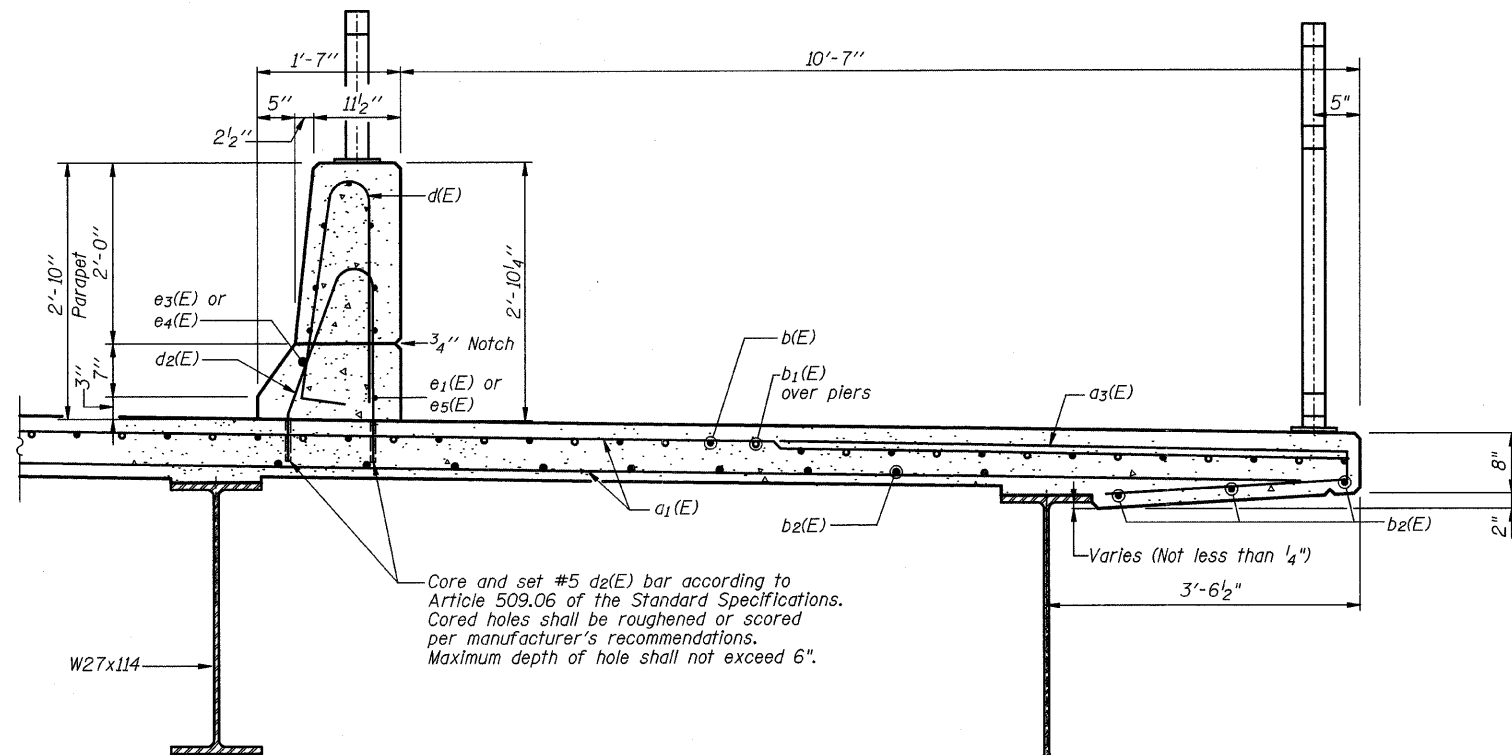
• 08-00602-00-BR



INSIDE ELEVATION OF PARAPET



SECTION THRU PARAPET



SECTION THRU SIDEWALK

MINIMUM BAR LAP

(Parapet)
#4 bar = 1'-4"
#8 bar = 3'-5"

(Sheet 1 of 3)
MACARTHUR ROAD (FAU 7432) OVER STEVENS CREEK

SUPERSTRUCTURE DETAILS

REVISIONS		SECTION 08-00602-00-BR	MACARTHUR ROAD (FAU 7432)	DRAWN BY DATE
No.	DATE	SN 058-6025	MACON COUNTY	R KING 07/09
1		STA 10+00.00		CHECKED BY DATE
2				JMB 07/09
3				BOOK NUMBER
4				486
5				PROJECT No.
6				5307
7				SHEET No.
8				
9				
10				

HOMER L. CHASTAIN & ASSOCIATES, LLP
CONSULTING ENGINEERS
DECATUR CHICAGO
(217) 422-8544 (773) 714-0050
ROCKFORD
(815) 489-0050
184-901297