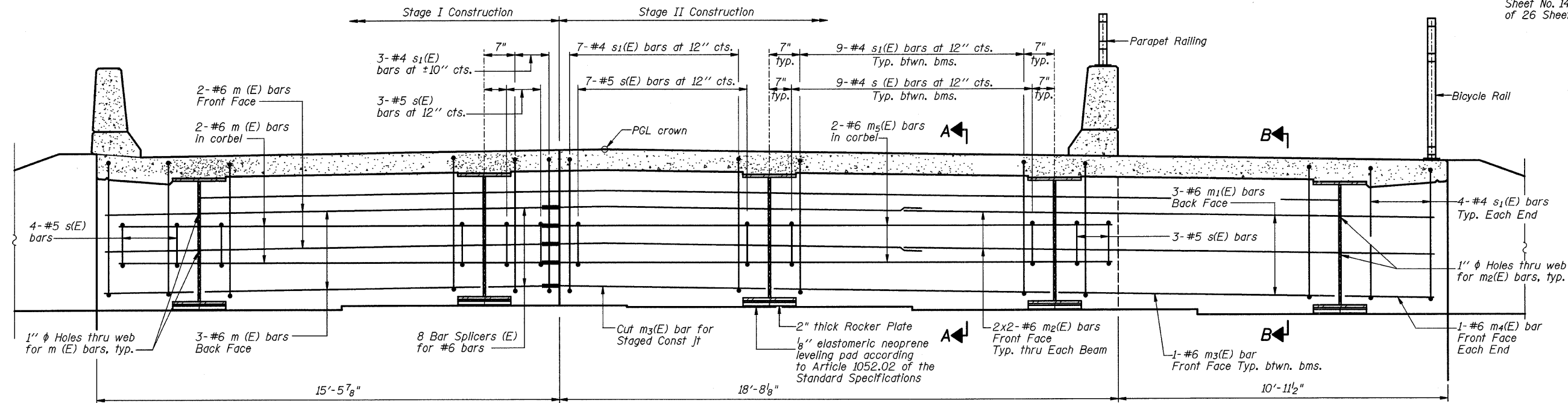


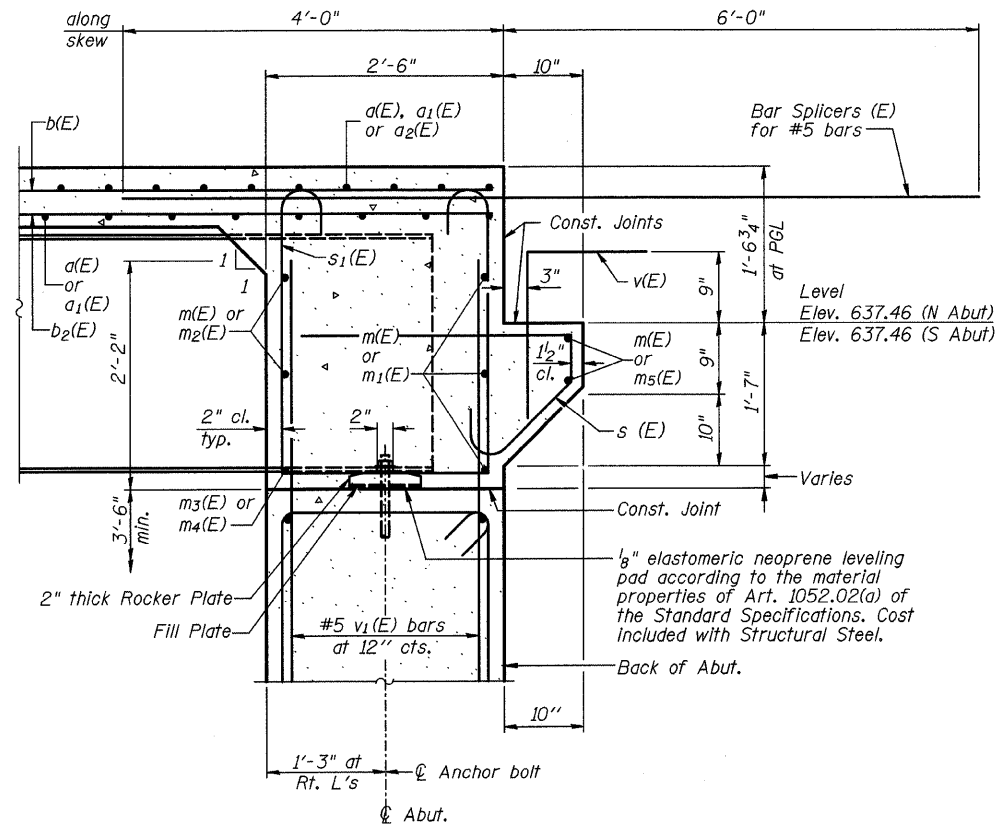
ROUTE NO.	SECTION	COUNTY	TOTAL SHEETS	SHEET NO.
FAU 7432	*	MACON	47	24

FEDERAL DIST. NO. ILLINOIS PROJECT
• 08-00602-00-BR



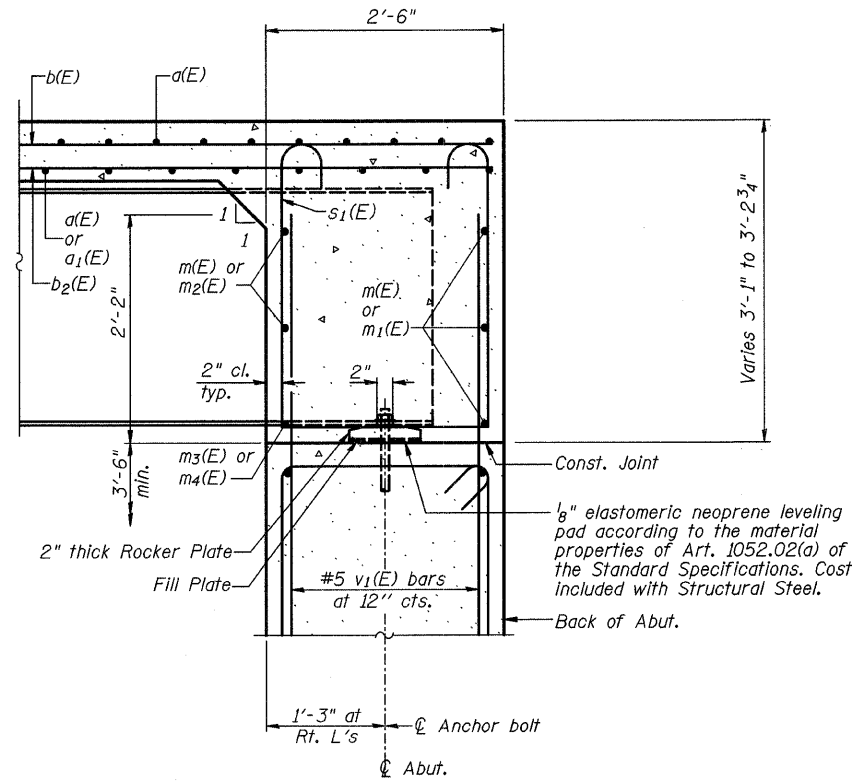
MIN. BAR LAP
#6 bar = 2'-7"

DIAPHRAGM ELEVATION AT ABUTMENT



SECTION A-A

Dimensions at right angles to abutment, except as shown.



SECTION B-B

Dimensions at right angles to abutment, except as shown.

Notes:
Reinforcement bars in diaphragm are billed with superstructure on sheet 15 of 26.
Concrete in diaphragm is included with Concrete Superstructure.
The s(E) and s1(E) bars shall be placed parallel to the beams. Spacing for these bars shall be at right angles to the beams.

(Sheet 2 of 3)
MACARTHUR ROAD (FAU 7432) OVER STEVENS CREEK

SUPERSTRUCTURE DETAILS

REVISIONS		SECTION 08-00602-00-BR		MACARTHUR ROAD (FAU 7432)		DRAWN BY DATE	
No.	DATE	INITIALS	SN 058-6025		MACON COUNTY		R. KING 07/09
1			STA 10+00.00		PROJECT No.		JMB 07/09
2					BOOK NUMBER		486
3					PROJECT No.		5307
4					SHEET No.		
5					HOMER L. CHASTAIN & ASSOCIATES, LLP		
6					DECATUR CHICAGO		
7					(617) 423-8844 (773) 714-9888		
8					ROCKFORD		
9					(815) 489-0060		
10					184-00127		