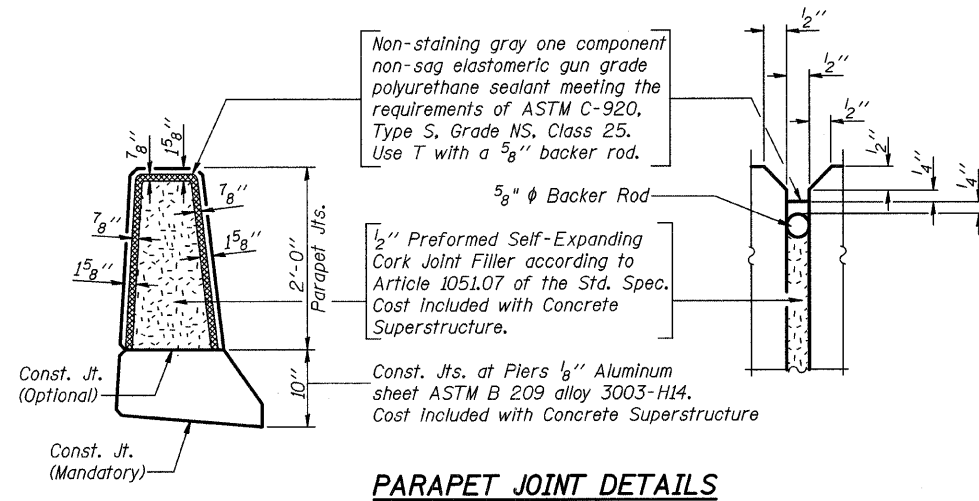


ROUTE NO.	SECTION	COUNTY	TOTAL SHEETS	SHEET NO.
FAU 7432	*	MACON	47	25
FED. ROAD DIST. NO.	ILLINOIS	PROJECT		

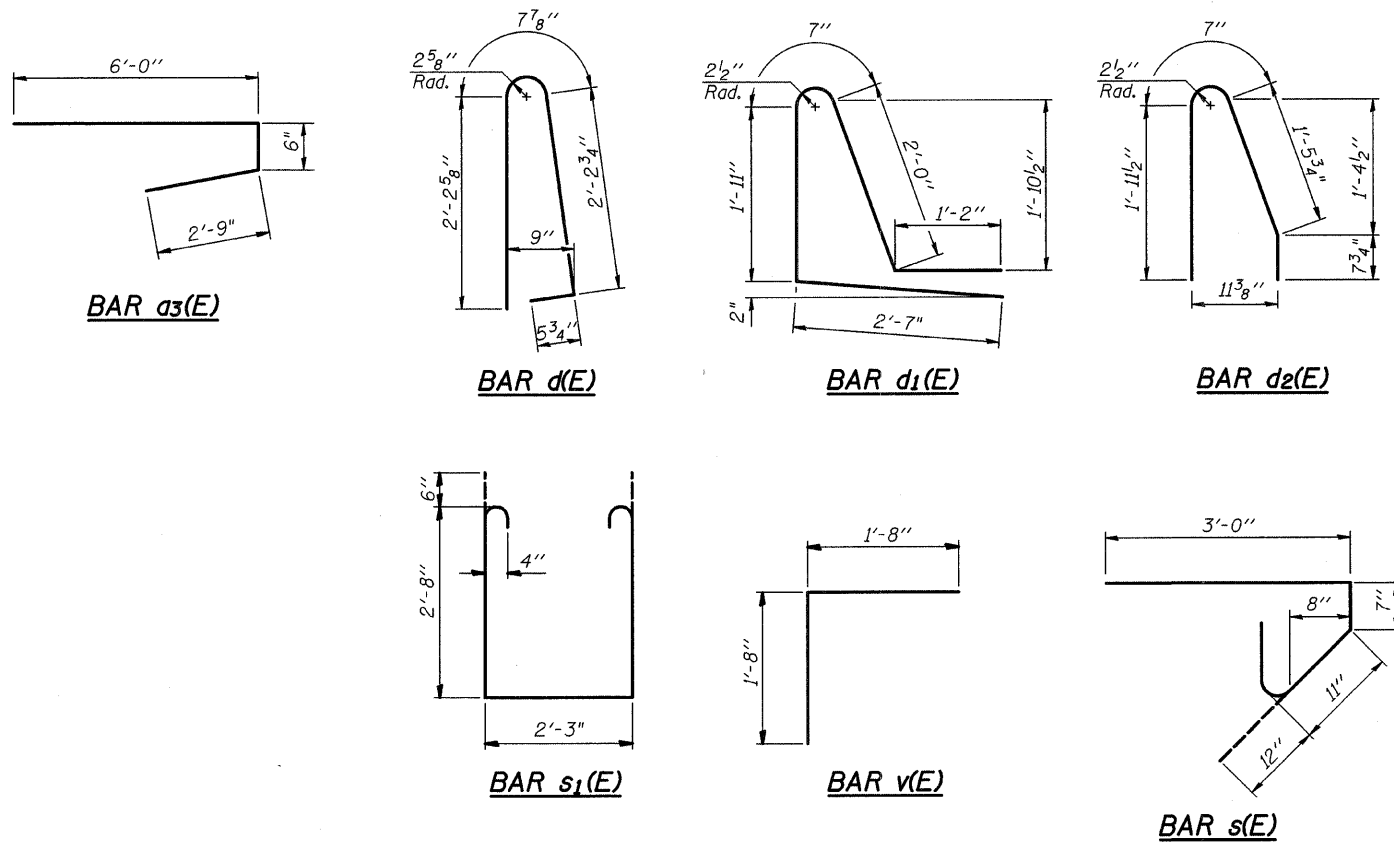
• 08-00602-00-BR



**SUPERSTRUCTURE
BILL OF MATERIAL**

Bar	No.	Size	Length	Shape
a(E)	592	#5	14'-8"	—
a ₁ (E)	592	#5	28'-4"	—
a ₂ (E)	364	#6	6'-0"	—
a ₃ (E)	364	#6	9'-3"	—
a ₄ (E)	4	#5	14'-2"	—
a ₅ (E)	4	#5	29'-5"	—
b(E)	252	#5	27'-3"	—
b ₁ (E)	82	#6	32'-0"	—
b ₂ (E)	210	#5	32'-3"	—
d(E)	334	#5	5'-7"	—
d ₁ (E)	167	#5	8'-3"	—
d ₂ (E)	167	#5	4'-8"	—
e(E)	84	#4	13'-5"	—
e ₁ (E)	64	#4	7'-0"	—
e ₂ (E)	42	#4	13'-7"	—
e ₃ (E)	12	#8	22'-4"	—
e ₄ (E)	8	#8	7'-0"	—
e ₅ (E)	12	#4	21'-4"	—
m(E)	14	#6	15'-3"	—
m ₁ (E)	6	#6	29'-5"	—
m ₂ (E)	8	#6	15'-11"	—
m ₃ (E)	8	#6	9'-3"	—
m ₄ (E)	4	#6	3'-2"	—
m ₅ (E)	4	#6	18'-5"	—
s(E)	70	#5	5'-6"	—
s ₁ (E)	90	#4	8'-7"	—
v(E)	64	#5	3'-4"	—
Reinforcement Bars, Epoxy Coated		Pound	62,090	
Concrete Superstructure		Cu. Yds.	228.9	
Protective Coat		Sq. Yds.	817	

Bars indicated thus 1 x 3 - #5 etc. indicates 1 line of bars with 3 lengths per line.



(Sheet 3 of 3)
MACARTHUR ROAD (FAU 7432) OVER STEVENS CREEK

SUPERSTRUCTURE DETAILS

REVISIONS		SECTION 08-00602-00-BR	MACARTHUR ROAD (FAU 7432)	DRAWN BY DATE
No.	DATE	SN 058-6025	MACON COUNTY	R KING 07/09
1		STA 10+00.00		CHECKED BY DATE
2				JMB 07/09
3				BOOK NUMBER
4				486
5				PROJECT NO.
6				5307
7				SHEET NO.
8				
9				
10				

HOMER L. CHASTAIN & ASSOCIATES, LLP
CONSULTING ENGINEERS
184-90187

DECATUR CHICAGO
(317) 422-8544 (773) 714-0050
ROCKFORD
(815) 489-0050