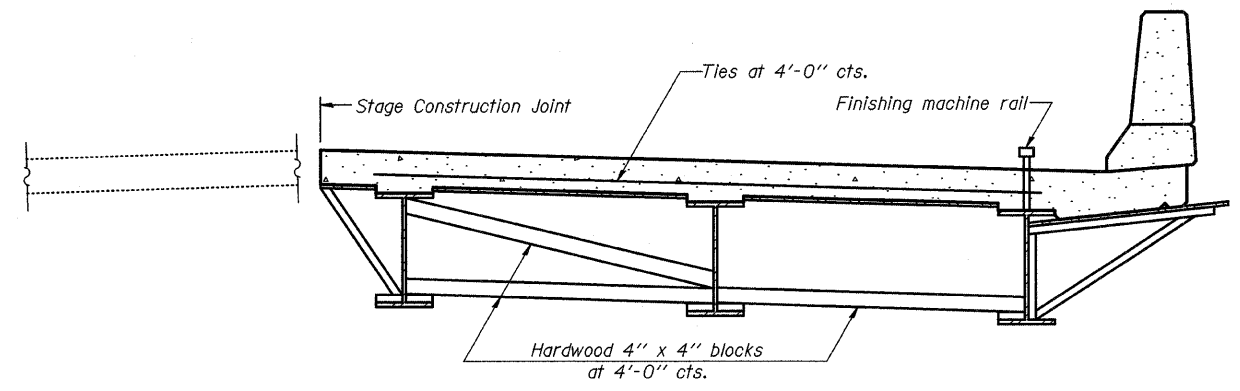


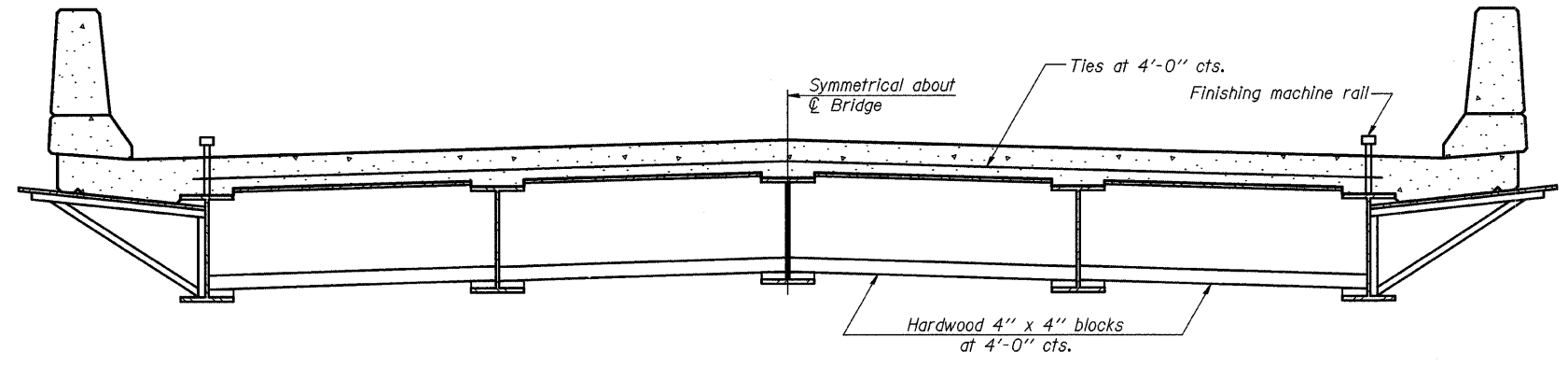
ROUTE NO.	SECTION	COUNTY	TOTAL SHEETS	SHEET NO.
FAU 7432	*	MACON	47	36
FED. ROAD DIST. NO.	ILLINOIS	PROJECT		

• 08-00602-00-BR

When cantilever forming brackets are used, the work shall be done according to Article 503.06(b) of the Standard Specifications, except as modified below and in the details shown on this sheet.  
The finishing machine rails shall be placed on the top flange of the exterior beams.  
The beams or girders, supporting cantilever forming brackets, shall be tied together at 4 foot intervals.  
For Standard construction, or Stage Construction the Hardwood bracing materials shall be placed as shown between webs of beams in each bay.



**FORM BRACES FOR  
STAGE CONSTRUCTION**



**FORM BRACES FOR  
STANDARD CONSTRUCTION**

MACARTHUR ROAD (FAU 7432) OVER STEVENS CREEK

**CANTILEVER FORMING BRACKETS**

REVISIONS	SECTION 08-00602-00-BR	MACARTHUR ROAD (FAU 7432)	DRAWN BY DATE
No. DATE INITIALS	STA 10+00.00	SN 058-6025	R KING 07/09
1		MACON COUNTY	CHECKED BY DATE
2			JMS 07/09
3			BOOK NUMBER
4			486
5			PROJECT No.
6			5307
7			SHEET No.
8			
9			
10			

**HOMER L. CHASTAIN & ASSOCIATES, LLP**  
CONSULTING ENGINEERS  
164-00177

DECATUR CHICAGO  
(317) 422-8544 (773) 714-0050

ROCKFORD  
(815) 489-0050