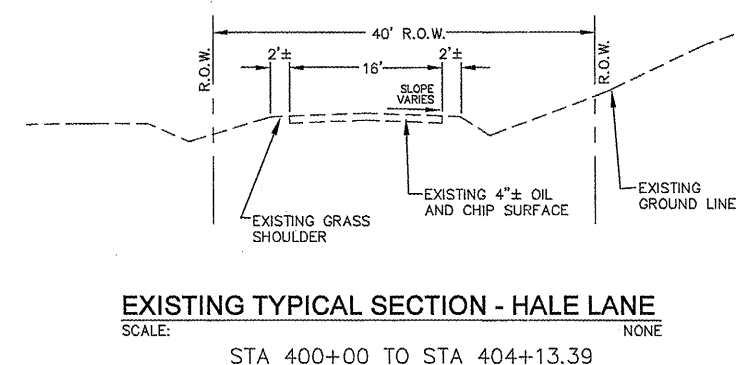
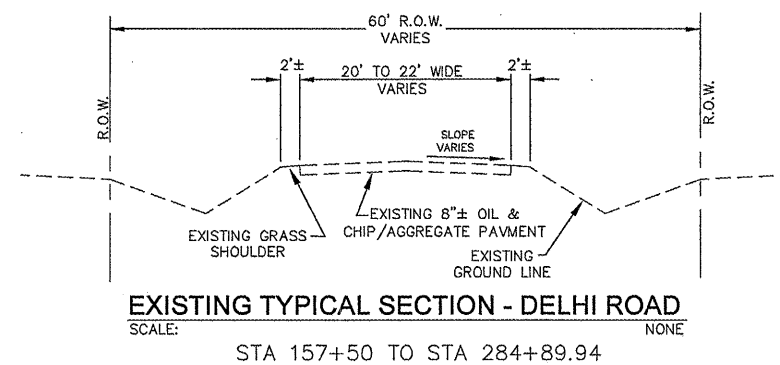


F.A.S. RTE.	SECTION	COUNTY	TOTAL SHEETS	SHEET NO.
748	06-00053-00 RS	JERSEY	110	4
STA. NA		TO STA. NA		
CONTRACT # 97375		PROJECT NO. RS-0748(109)		



REVISIONS	DATE

ILLINOIS DEPARTMENT OF TRANSPORTATION

**EXISTING TYPICAL SECTIONS**

DELHI ROAD  
 F.A.S. ROUTE 748  
 SECTION 06-00053-00-RS  
 JERSEY COUNTY