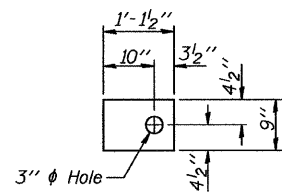
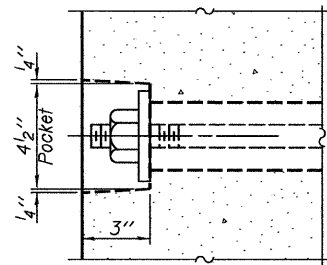


FABRIC BEARING PAD
(Inferior)
(12 Required)

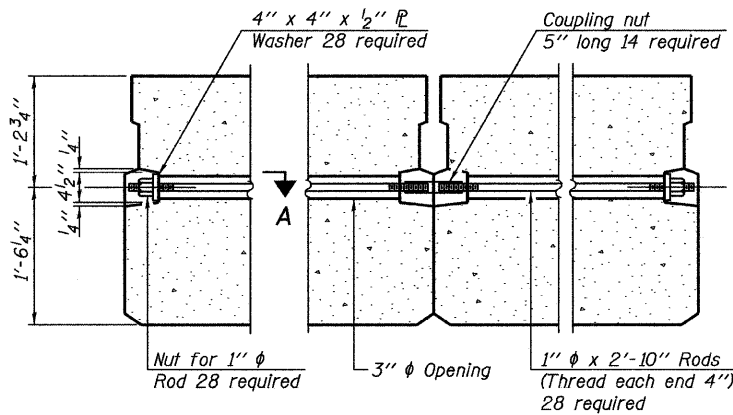


FABRIC BEARING PAD
(Exterior)
(8 Required)

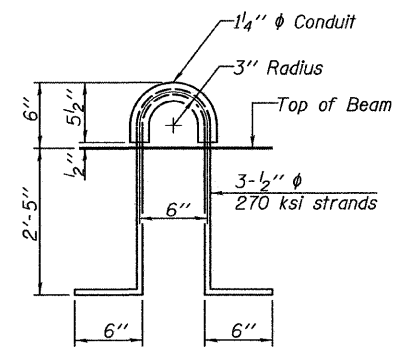
FIXED



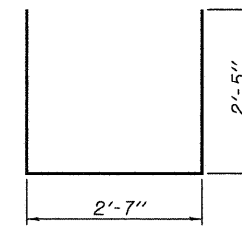
SECTION A-A



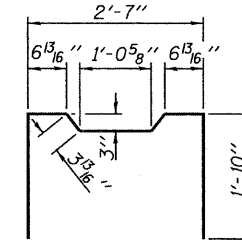
TYPICAL TRANSVERSE TIE ASSEMBLY



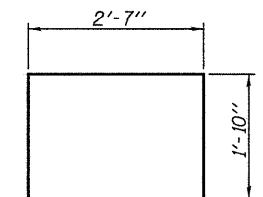
LIFTING LOOP DETAIL



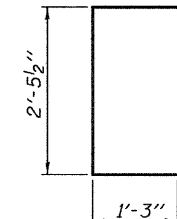
BAR S(E)



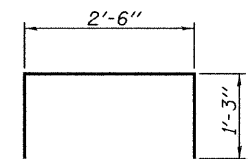
BAR S2(E)



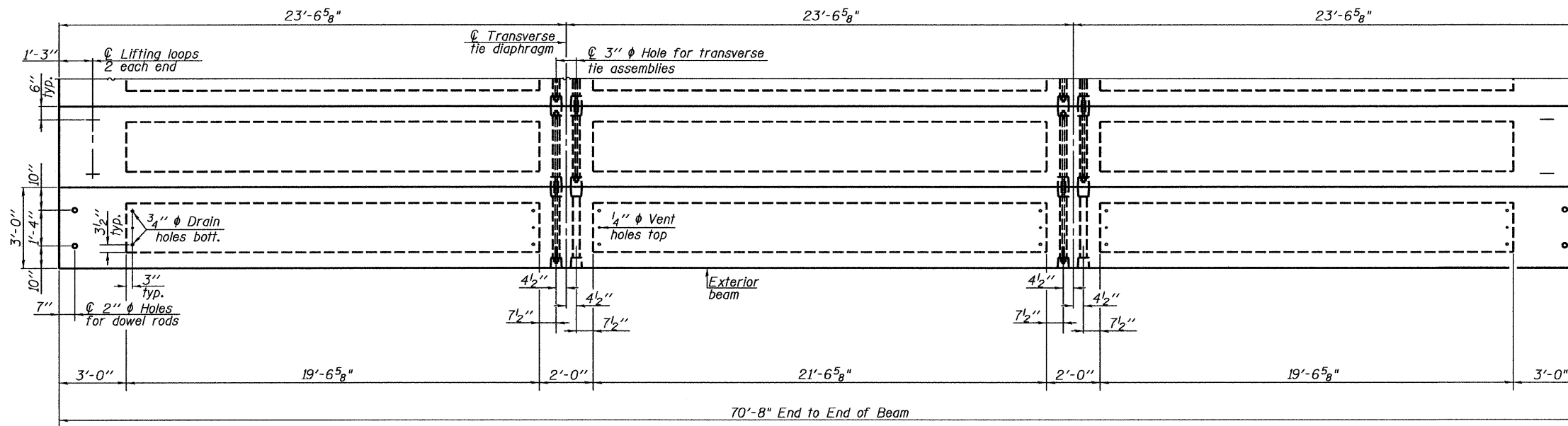
BAR S1(E)



BAR U(E)



BAR U1(E)



PLAN

Note: Connect beams in pairs with the transverse tie configuration shown.

NOTES

- Prestressing steel shall be uncoated high strength, low relaxation 7-wire strand, Grade 270. The nominal diameter shall be 1/2" and the nominal cross-sectional area shall be 0.153 sq. in.
- The 1" diameter rods in the transverse tie assembly shall be tightened to a snug fit and the threads set. Pockets on exterior faces of bridge shall be filled with grout after transverse tie assembly is in place.
- Reinforcement bars shall conform to ASTM A 706, Grade 60. (See Special Provisions).
- Two 1/8" fabric adjusting shims of the dimensions of the exterior bearing pad shall be provided for each bearing pad location.
- A minimum 2 1/2" diameter lifting pin shall be used to engage the lifting loops during handling.
- Corrosion Inhibitor, per Article 1020.05(b)(12) and 1021.06 of the Standard Specifications, shall be used in the concrete for precast prestressed concrete deck beams.
- Compressive strength of prestressed concrete, f'c, shall be 6000 psi.
- Compressive strength of prestressed concrete at release, f'ci, shall be 5000 psi.

BILL OF MATERIAL

Precast Prestressed Conc. Deck Bms. (33" depth)	Sq. Ft.	1696
---	---------	------

SUPERSTRUCTURE
T.R. RTE. 81 OVER STREAM
SECTION NO. 05-10012-00-BR
JERSEY COUNTY



Allen Henderson & Associates, Inc.
Civil and Structural Engineers Springfield, IL.
62703 Phone: (217)544-8033 IL Design Firm
No. 184-001907

SHEET NO. 3
8 SHEETS

T.R. RTE.	SECTION	COUNTY	TOTAL SHEETS	SHEET NO.
81	05-10012-00-BR	JERSEY	19	7
CONTRACT NO. 97409				
FED. ROAD DIST. NO. -		ILLINOIS FED. AID PROJECT		