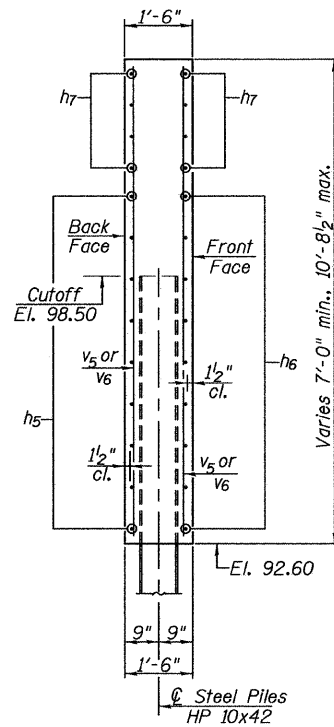
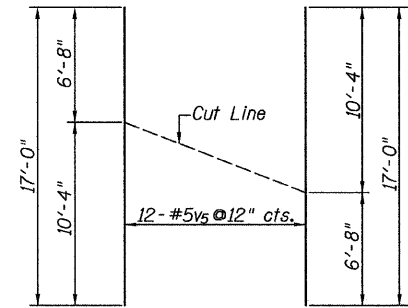
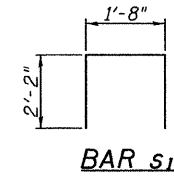


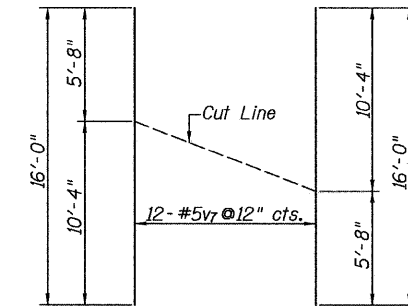
WINGWALL ELEVATION
(East Abutment - North Wingwall)
* See v5 bar cut diagram



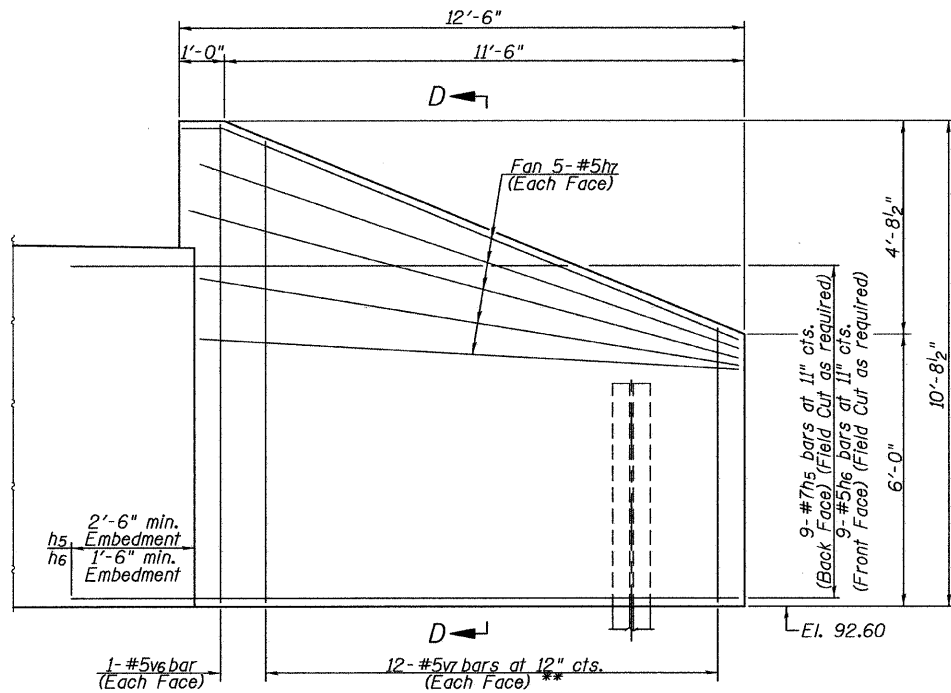
SECTION C-C



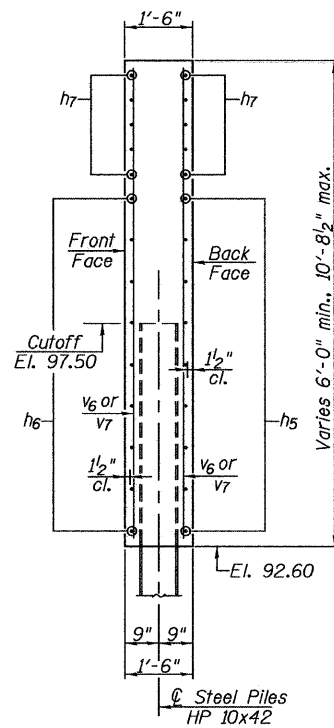
*** V5- BAR CUT DIAGRAM**
Order v5 bars full length. Layout in field according to diagram. Cut v5 bars along cut line. Use remainder of each bar in opposite face.



**** V7- BAR CUT DIAGRAM**
Order v7 bars full length. Layout in field according to diagram. Cut v7 bars along cut line. Use remainder of each bar in opposite face.



WINGWALL ELEVATION
(East Abutment - South Wingwall)
** See v7 bar cut diagram



SECTION D-D

BILL OF MATERIAL
EAST ABUTMENT

Bar	No.	Size	Length	Shape
h3	8	#4	25'-8"	---
h4	19	#5	24'-4"	---
h5	18	#7	14'-6"	---
h6	18	#5	13'-6"	---
h7	18	#5	12'-2"	---
s1	25	#5	6'-0"	□
v3	50	#4	4'-3"	---
v4	50	#5	7'-7"	---
v5	12	#5	17'-0"	---
v6	4	#5	10'-4"	---
v7	12	#5	16'-0"	---
Reinforcement Bars			Pound	2785
Concrete Structures			Cu. Yd.	31.1
Furnishing Steel Piles HP10x42			Foot	318
Driving Piles			Foot	318
Test Pile Steel HP10x42			Each	1
Structure Excavation			Cu. Yd.	118
Underwater Structure Excavation Protection Location 1 (East Abutment)			Each	1

EAST ABUTMENT
T.R. RTE. 81 OVER STREAM
SECTION NO. 05-10012-00-BR
JERSEY COUNTY



Allen Henderson & Associates, Inc.
Civil and Structural Engineers Springfield, IL.
62703 Phone: (217)544-8033 IL Design Firm
No. 184-001907

SHEET NO. 7
8 SHEETS

T.R. RTE.	SECTION	COUNTY	TOTAL SHEETS	SHEET NO.
81	05-10012-00-BR	JERSEY	19	11
CONTRACT NO. 97409				
FED. ROAD DIST. NO. - ILLINOIS FED. AID PROJECT				