



CORPORATE OFFICE
4940 OLD COLLINSVILLE RD.
SWANSEA, ILLINOIS 62226
TEL (618) 624-4488
FAX (618) 624-6888
corp@twm-inc.com

WATERLOO OFFICE
113 SOUTH MAIN STREET
WATERLOO, ILLINOIS 62298
TEL (618) 939-5050
FAX (618) 939-3938
waterloo@twm-inc.com

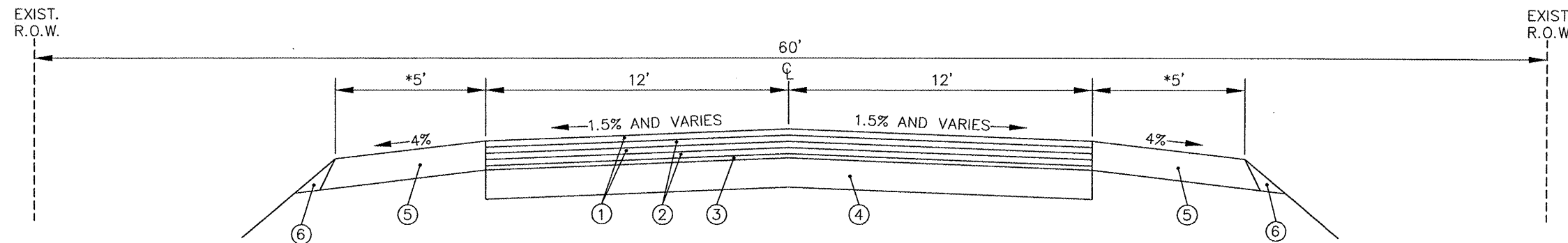
EDWARDSVILLE OFFICE
1015B CENTURY DRIVE
EDWARDSVILLE, ILLINOIS 62025
TEL (618) 656-4040
FAX (618) 656-4343
edwardsville@twm-inc.com

ST. CHARLES OFFICE
400 N. 5TH STREET, SUITE 101
ST. CHARLES, MISSOURI 63301
TEL (636) 724-8300
FAX (636) 724-8304
stlouis@twm-inc.com

PROFESSIONAL REGISTRATIONS	LICENSE NO.
ILLINOIS PROFESSIONAL DESIGN FIRM	184-001220
PROFESSIONAL ENGINEERING CORP.	62-035370
PROFESSIONAL STRUCTURAL ENGR. CORP.	81-005202
ILLINOIS PROF. LAND SURVEYING CORP.	048-000029
MISSOURI PROFESSIONAL ENGR. CORP.	NC 001528
MISSOURI LAND SURVEYING CORP.	NC 000346

SEAL

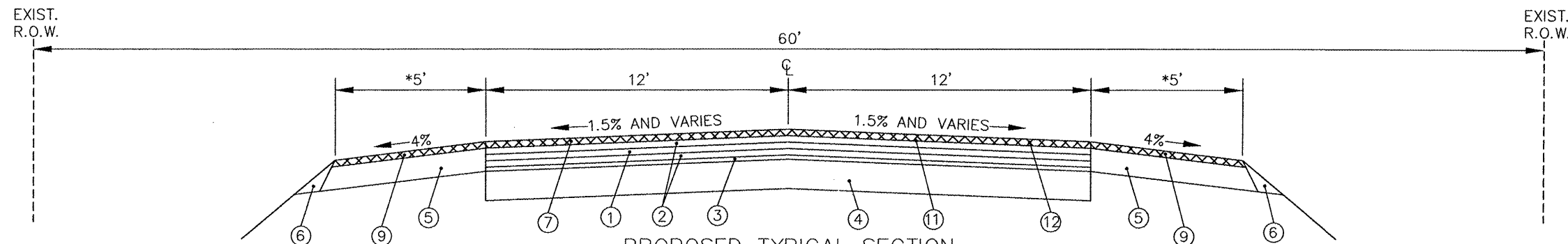
This Professional Service conforms to the current Illinois Minimum Standards for a Boundary Survey
Signature: _____
Expiration Date: _____
STATEMENT OF RESPONSIBILITY
I hereby confirm that the document herein to be authenticated by my seal is restricted to this sheet, and I hereby disclaim any responsibility for all other drawings, specifications, estimates, reports or other documents or instruments relating to or intended to be utilized for any other part of the architectural, engineering or survey project.



EXISTING TYPICAL SECTION

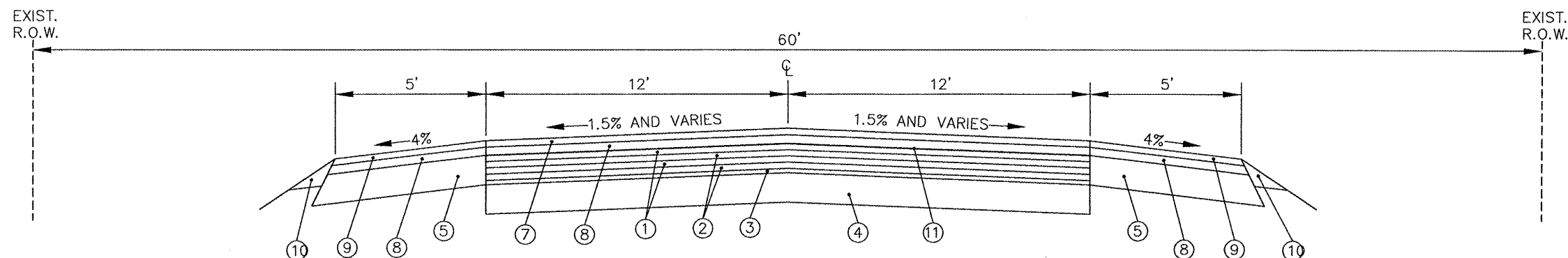
STA 0+00 TO STA 55+48.89
*(CONC. C&G STA 0+00 TO STA 3+47.52 LT
CONC. C&G STA 0+00 TO STA 0+47.51 RT
CONC. GUTTER STA 32+39.99 TO STA 40+57.08 LT
CONC. C&G STA 54+02.60 TO STA 55+48.89 LT)

- LEGEND**
- ① EXISTING BITUMINOUS CONCRETE SURFACE COURSE, 1.5"
 - ② EXISTING BITUMINOUS CONCRETE BINDER COURSE, 1.5"
 - ③ EXISTING LEVELING BINDER, 1"
 - ④ EXISTING BITUMINOUS CONCRETE BASE COURSE, 8.5"±
 - ⑤ EXISTING BITUMINOUS SHOULDER
 - ⑥ EXISTING AGGREGATE WEDGE
 - ⑦ PROPOSED HOT-MIX ASPHALT SURFACE COURSE, MIX 'D', N70, 1.5"
 - ⑧ PROPOSED LEVELING BINDER (MACHINE METHOD), N70, MAX. DEPTH 4.5"
 - ⑨ PROPOSED HOT-MIX ASPHALT SHOULDERS, 1.5"
 - ⑩ PROPOSED AGGREGATE WEDGE SHOULDER, TYPE B
 - ⑪ PROPOSED AREA REFLECTIVE CRACK CONTROL TREATMENT
 - ⑫ PROPOSED HOT-MIX ASPHALT SURFACE REMOVAL, 1.5"



PROPOSED TYPICAL SECTION

STA 0+00 TO STA 52+82.17
STA 53+67.95 TO STA 55+48.89
*(DO NOT DISTURB EXISTING CURB AND/OR GUTTER)
(EXISTING DRIVING LANES AND SHOULDERS TO BE MILLED AT 1.5" DEPTH)



PROPOSED TYPICAL SECTION

STA 52+82.17 TO STA 53+67.95

TYPICAL SECTIONS

TITLE: _____

PROJECT: SECTION 09-00018-01-RS
GLEN CARBON ROAD RESURFACING
VILLAGE OF GLEN CARBON
MADISON COUNTY, ILLINOIS

REV.	DATE	DESCRIPTION
▲		
▲		
▲		

DRAWN BY: MJK	SHEET
DESIGNED BY: MJK	4
CHECKED BY: RSD	
APPROVED BY: RSD	
PROJECT NUMBER: T07-080125	
OF 7 SHEETS	
<input checked="" type="checkbox"/> ISSUED FOR REVIEW	<input type="checkbox"/> ISSUED FOR BIDDING
<input type="checkbox"/> ISSUED FOR CONSTR.	<input type="checkbox"/> RECORD DRAWING