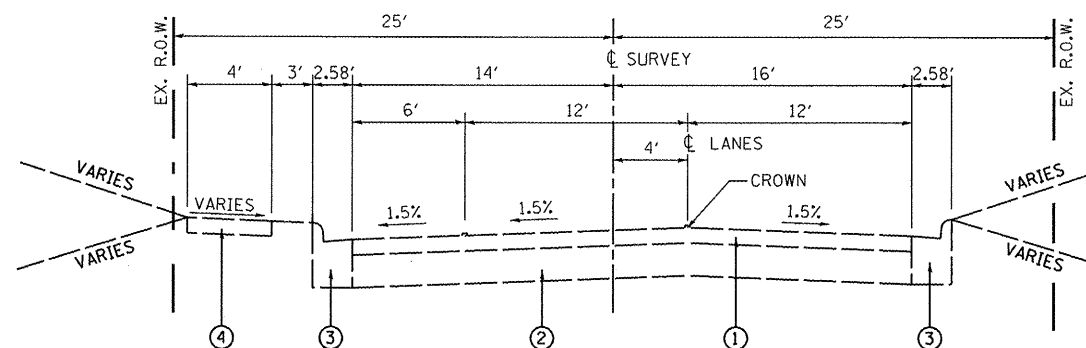
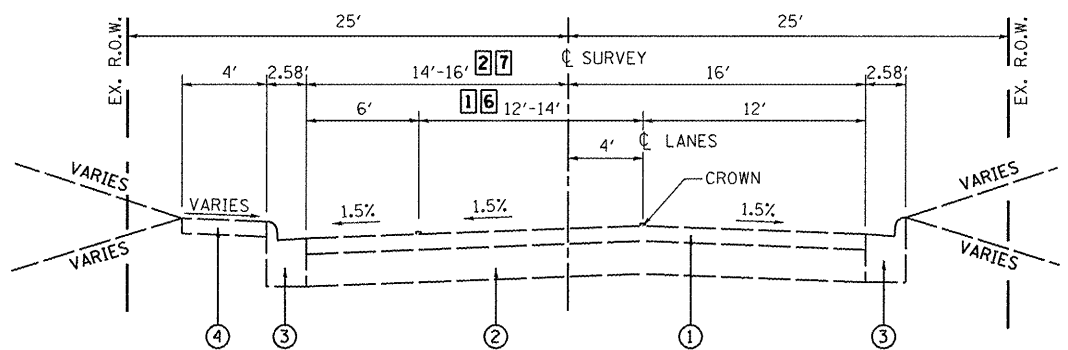


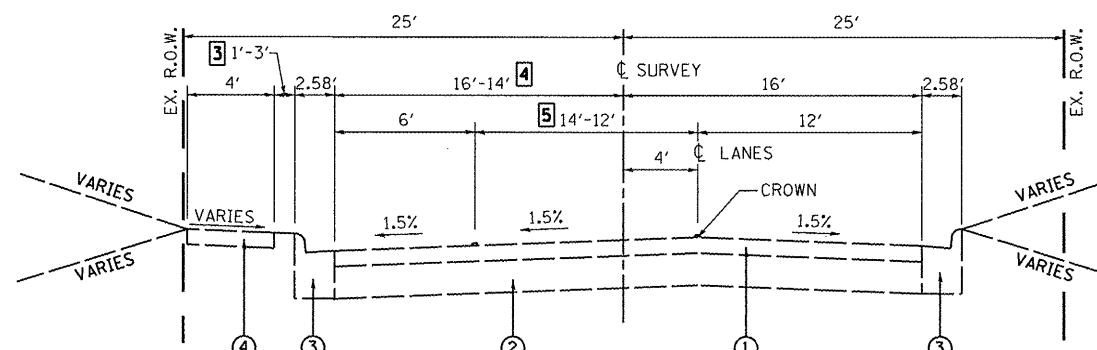
EXISTING MADISON AVENUE
STA 15+75 TO STA 17+64 •
(NOT TO SCALE)



EXISTING MADISON AVENUE
STA 19+38 TO STA 20+90
STA 27+74 TO STA 36+56.94
(NOT TO SCALE)



EXISTING MADISON AVENUE
STA 9+70.53 TO STA 15+75
STA 20+90 TO STA 27+74
(NOT TO SCALE)



EXISTING MADISON AVENUE
STA 17+64 TO STA 19+38 •
(NOT TO SCALE)

LEGEND

- ① EXISTING HOT-MIX ASPHALT SURFACE COURSE, 3"
- ② EXISTING HOT-MIX ASPHALT BASE COURSE, 6"
- ③ EXISTING COMBINATION CONCRETE CURB & GUTTER B-6.24
- ④ EXISTING PCC SIDEWALK, 4"
- ⑤ PROPOSED HOT-MIX ASPHALT SURFACE COURSE, MIX "C", N70, 2"
- ⑥ PROPOSED HOT-MIX ASPHALT REMOVAL, 2"
- ⑦ PROPOSED BITUMINOUS MATERIALS PRIME COAT
- ⑧ PROPOSED AGGREGATE PRIME COAT

- ① VARIES 12' TO 14' FROM STA. 15+25 TO STA. 15+75
- ② VARIES 14' TO 16' FROM STA. 15+25 TO STA. 15+75
- ③ VARIES 1' TO 3' FROM STA. 18+88 TO STA. 19+36
- ④ VARIES 14' TO 16' FROM STA. 18+88 TO STA. 19+36
- ⑤ VARIES 12' TO 14' FROM STA. 18+88 TO STA. 19+36
- ⑥ 12' WIDE FROM STA. 20+90 TO STA. 27+74
- ⑦ 14' WIDE FROM STA. 20+90 TO STA. 27+74

• OMISSION FROM STATION 17+24 TO STATION 17+96

STATE OF ILLINOIS
DEPARTMENT OF TRANSPORTATION

TYPICAL SECTIONS

SCALE: NONE SHEET NO. 1 OF 2 SHEETS

| | | | | |
|----------------------------|----------------|---------|--------------------|-----------|
| F.A. RTE. | SECTION | COUNTY | TOTAL SHEETS | SHEET NO. |
| 8892 | 09-00099-00-RS | MADISON | 14 | 3 |
| MADISON AVENUE RESURFACING | | | CONTRACT NO. 97413 | |
| ILLINOIS FED. AID PROJECT | | | | |

| | | | |
|--|-----------------------------|----------------|-----------|
| FILE NAME = | USER NAME = travis | DESIGNED - PAM | REVISED - |
| H:\P\29012\Microstation\08-29012\typical.dgn | | DRAWN - JTH | REVISED - |
| | PLOT SCALE = 48.0000' / IN. | CHECKED - | REVISED - |
| | PLOT DATE = 11/5/2009 | DATE - | REVISED - |