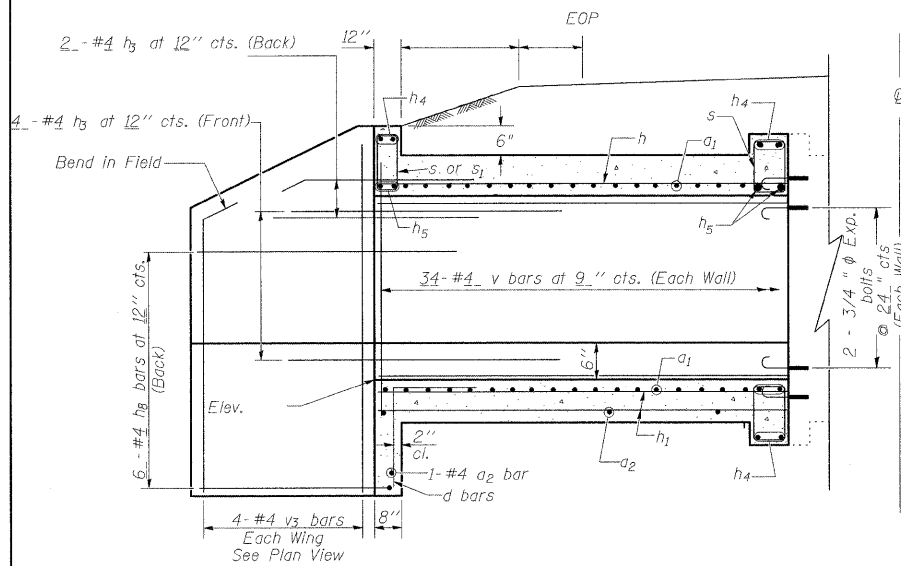
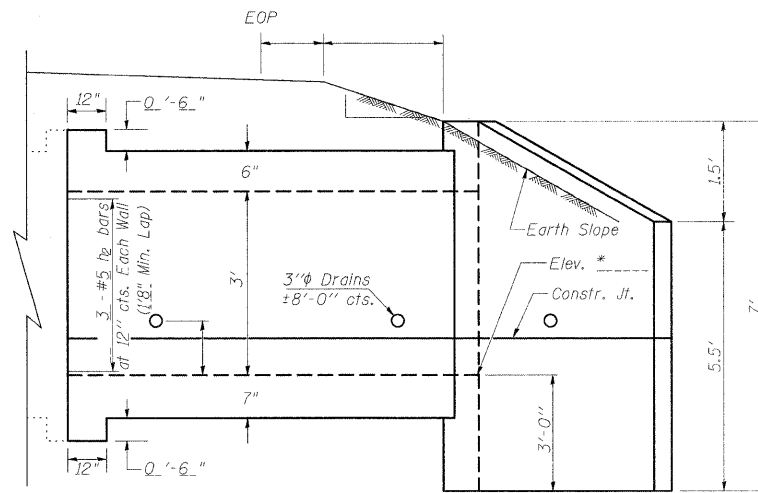


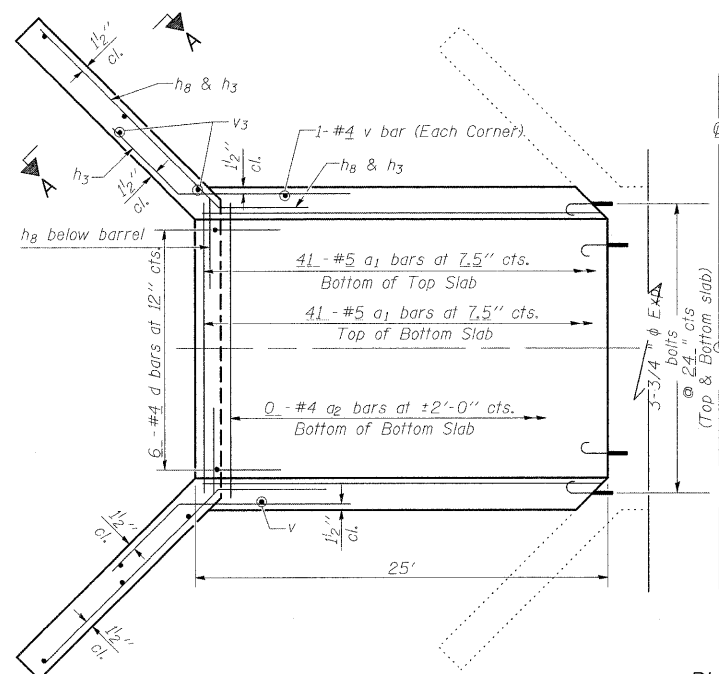
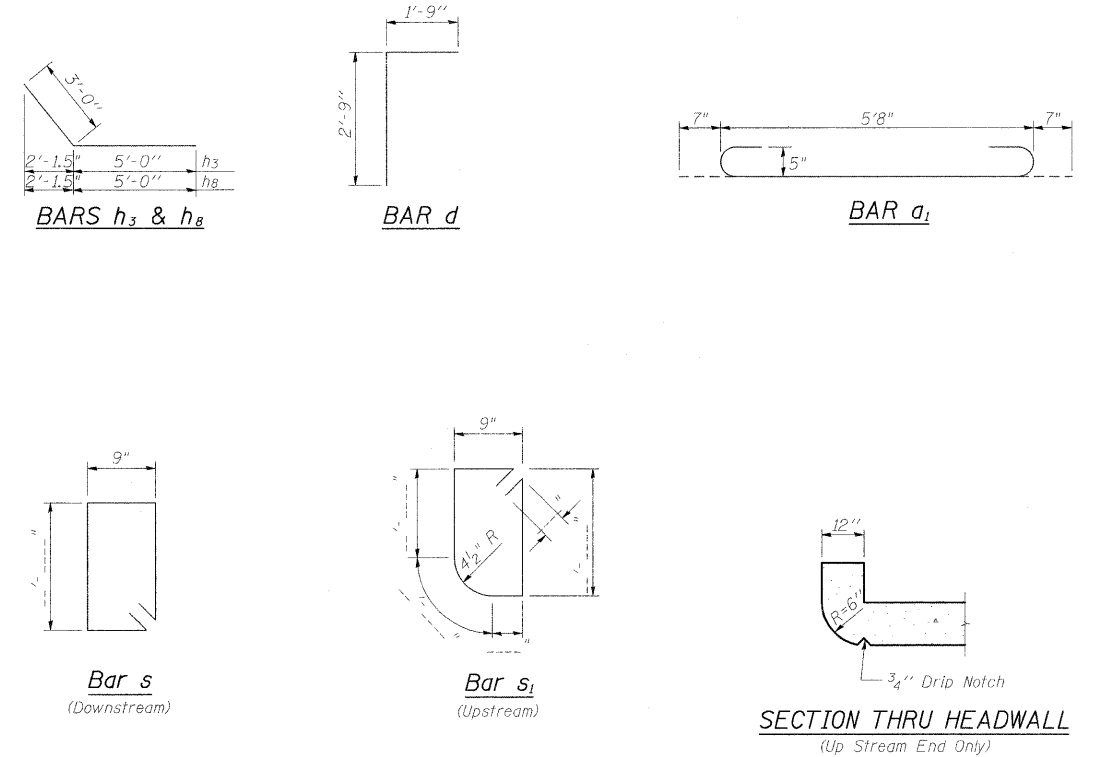
STATE OF ILLINOIS
DEPARTMENT OF TRANSPORTATION



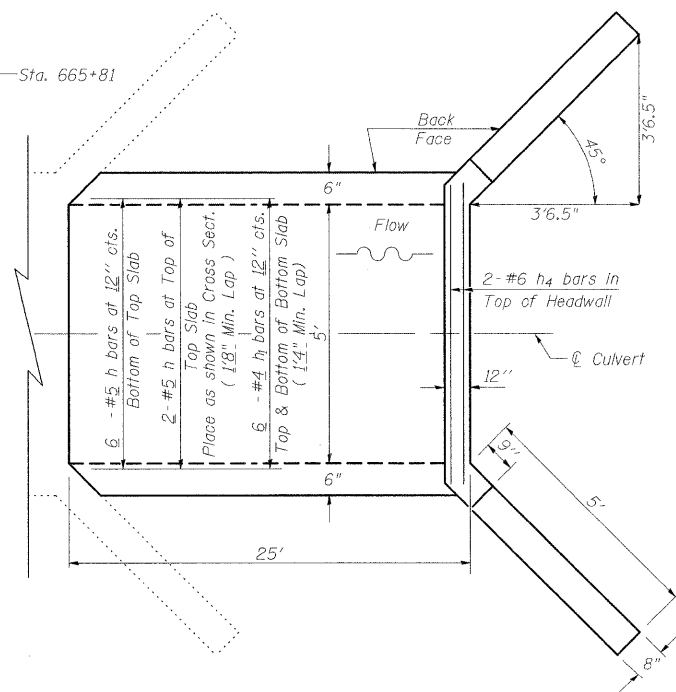
ELEVATION
Dimensions at Rt. L's to @ Roadway



* DSFL 449.51 (EB IL 13)



PLAN



NOTES

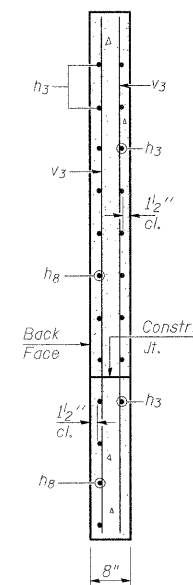
Reinforcement Bars shall conform to the requirements of AASHTO M-31, M-42 or M-53, Grade 60.
Bars indicated thus 12 x 4-#5 etc. indicates 12 lines of bars with 4 lengths per line.
A distance of half the length of the wingwall but not less than six feet of the barrel shall be poured monolithically with the wingwalls.

All construction joints shall be bonded.
Expansion bolts shall be 3/4" φ x 12" hooked bolts. Hooked bolts shall extend a minimum of 9" into new concrete and have a minimum certified proof load of 4,080 lbs.

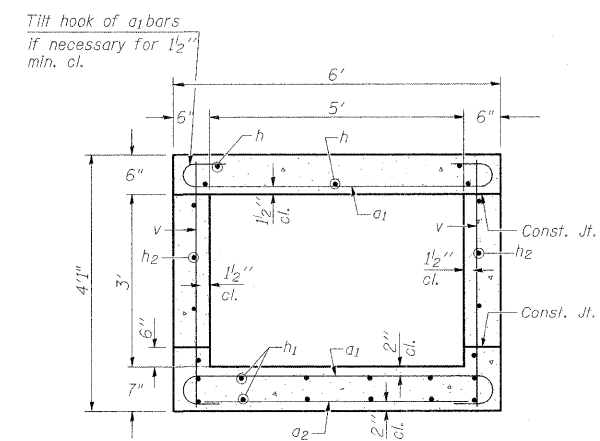
DESIGN STRESSES
fy = 60,000 psi
f'c = 3,500 psi
LOADING HS 20-44 & ALT.

BILL OF MATERIAL

Bar	No.	Size	Length	Shape
a1	82	#5	6'-10"	
a2	0	#4		
d	6	#4	4'-6"	
h	8	#5	24'-9"	
h1	12	#4	24'-9"	
h2	6	#5	24'-9"	
h3	12	#4	8'-0"	
h4	6	#6	5'-9"	
h5	4	#5	5'-9"	
h8	12	#4	8'-0"	
s	0	#4		
s1	0	#4		
v	70	#4	3'-9"	
v3	8	#4	6'-9"	
Concrete Box Culverts Cu. Yd. 11				
Reinforcement Bars Pound 1580				
3/4" Expansion bolts Each 10				



SECTION A-A



SECTION THRU BARREL

REVISIONS

DRAWN	-2-04
REVISED	5-09 SHT CELL
REVISED	
REVISED	

BASED ON: **SSB-H-0** 6-1-2000

FILE NAME =	USER NAME = shepardgd	DESIGNED =	REVISED =	BOX CULVERT EXTENSION STATION 665+81 RT		F.A.P. RTE.	SECTION	COUNTY	TOTAL SHEETS	SHEET NO.
ct:\pw\work\p\rdot\shepardgd\dna47330\fe	dstim13-sh-culext.dgn	DRAWN =	REVISED =	5' X 3', SKEW 0° EXTEND 25'-0"		331	(1-2)N-2,R;(1X-1)N-3,R-2	WILLIAMSON	202	100
PLOT SCALE = 50,0000' / IN.	CHECKED =	REVISED =	REVISED =	SCALE: _____ SHEET NO. ____ OF ____ SHEETS STA. _____ TO STA. _____		ILLINOIS FED. AID PROJECT				
PLOT DATE = 10/14/2003	DATE =	REVISED =	REVISED =			CONTRACT NO. 98857				

STATE OF ILLINOIS
DEPARTMENT OF TRANSPORTATION