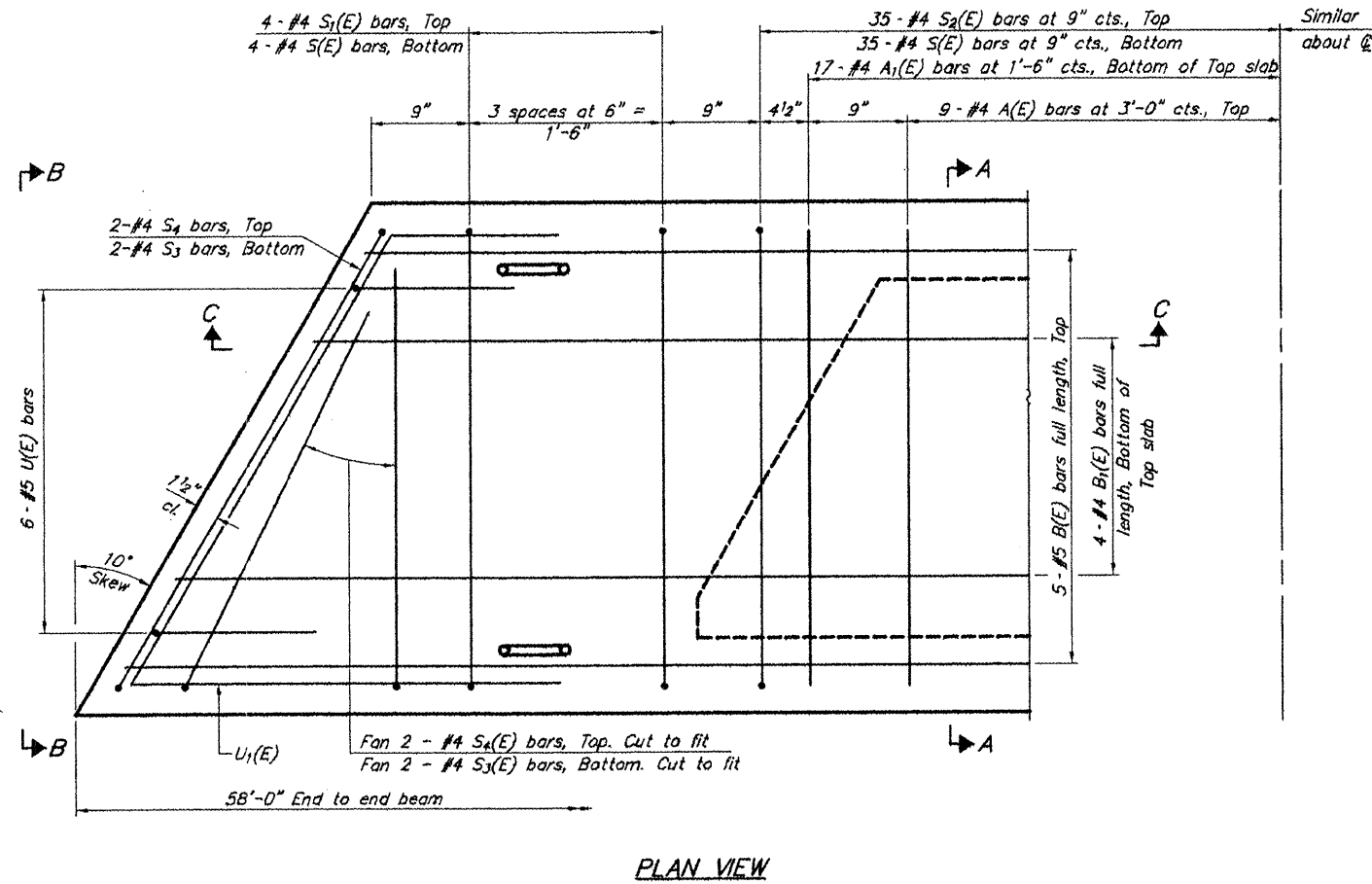
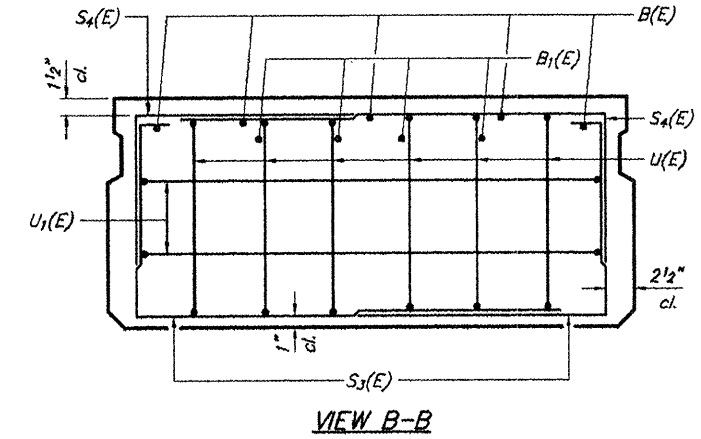
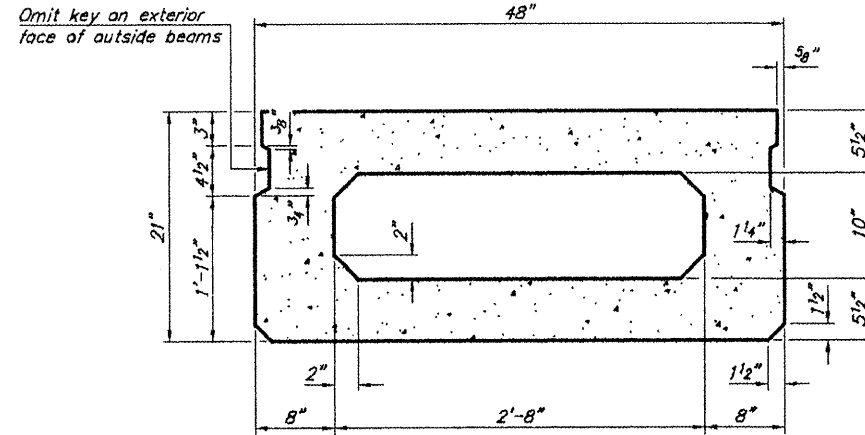
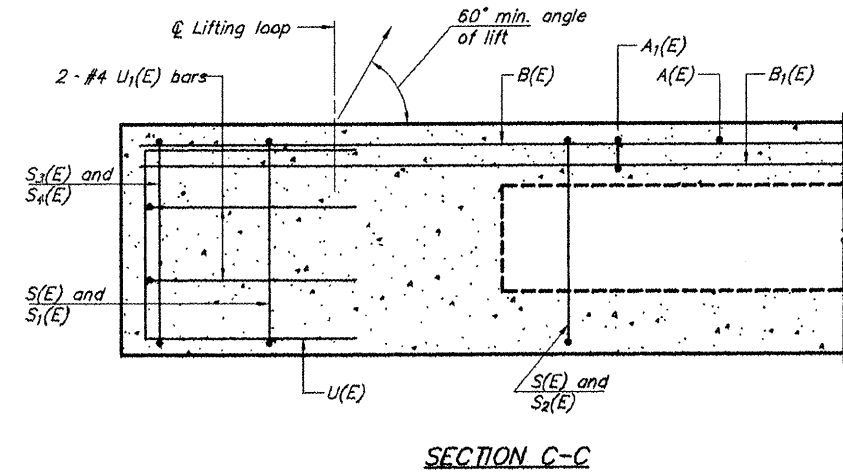
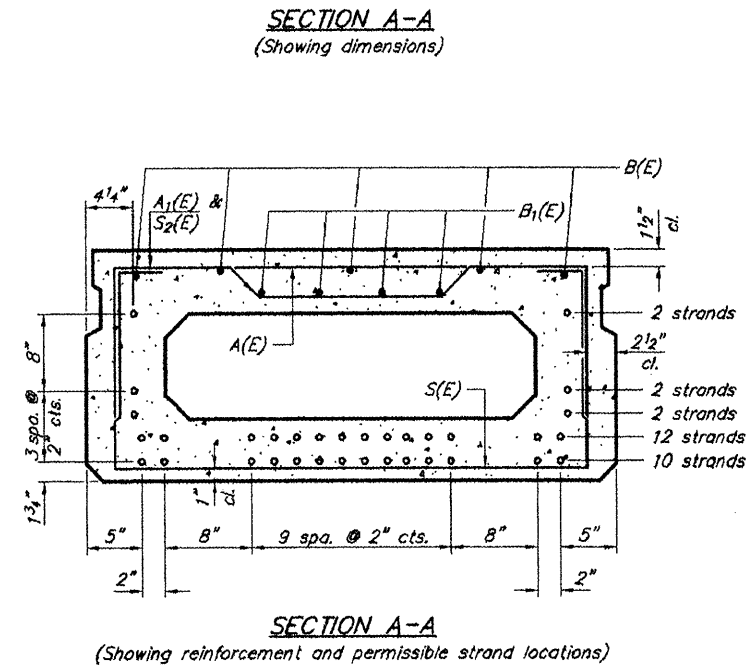


ROUTE	SECTION	COUNTY	TOTAL SHEETS	SHEET NO
FAU 9901	06-01186-00-BR	UNION	10	4
PROJECT NO. ARA-BRS-0181(048)			CONTRACT NO. 99352	



Note: Spacing of S(E) and S2(E) bars may be adjusted up to 4" in the immediate area of the transverse tie diaphragms to miss the block outs for the transverse ties.



Note: Place the number of strands specified in each row symmetrically about the centerline of beam in the permissible strand locations shown.

BAR LIST
ONE BEAM ONLY
(For information only)

Bar	No.	Size	Length	Shape
A(E)	18	#4	3'-7"	—
A1(E)	34	#4	3'-10"	—
B(E)	5	#5	57'-8"	—
B1(E)	4	#4	57'-8"	—
S(E)	78	#4	7'-5"	□
S1(E)	8	#4	5'-11"	□
S2(E)	70	#4	6'-2"	□
S3(E)	8	#4	4'-7"	□
S4(E)	8	#4	3'-10"	□
U(E)	12	#5	4'-0"	□
U1(E)	4	#4	6'-8"	□

21" X 48" PPC DECK BEAM
FAU ROUTE 9901 (KRATZINGER HOLLOW RD)
GREEN CREEK
SECTION 06-01186-00-BR
UNION COUNTY
STRUCTURE NO. 091-3229