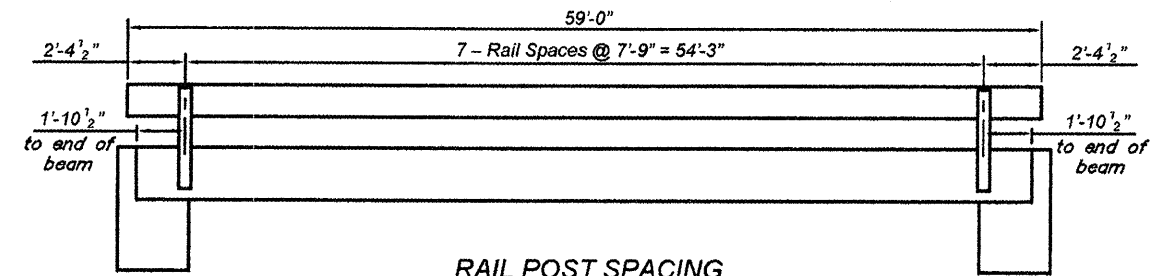
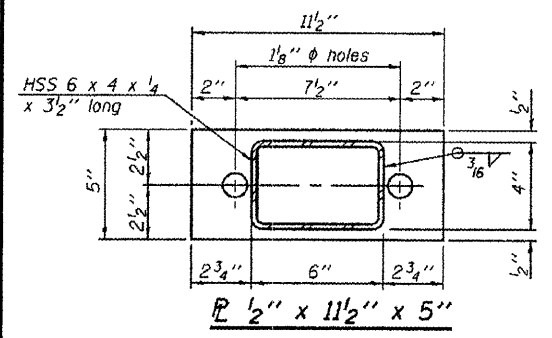


ROUTE	SECTION	COUNTY	TOTAL SHEETS	SHEET NO.
FAU 9901	06-01186-00-BR	UNION	10	7
PROJECT NO. ARA-BRS-0181(048)			CONTRACT NO. 99352	

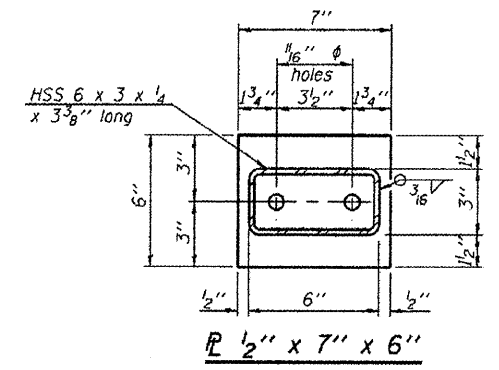


RAIL POST SPACING

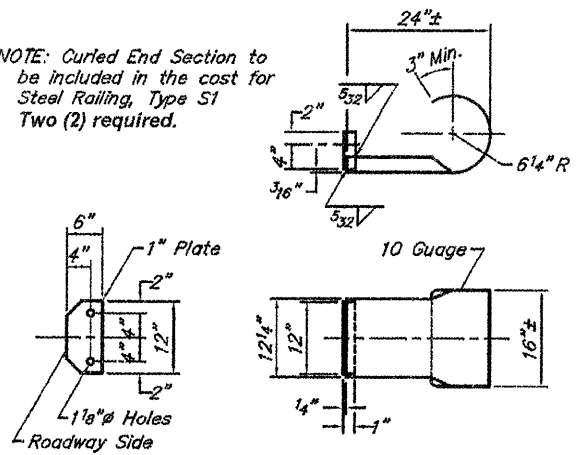
NOTE: Curled End Section to be included in the cost for Steel Railing, Type S1 Two (2) required.



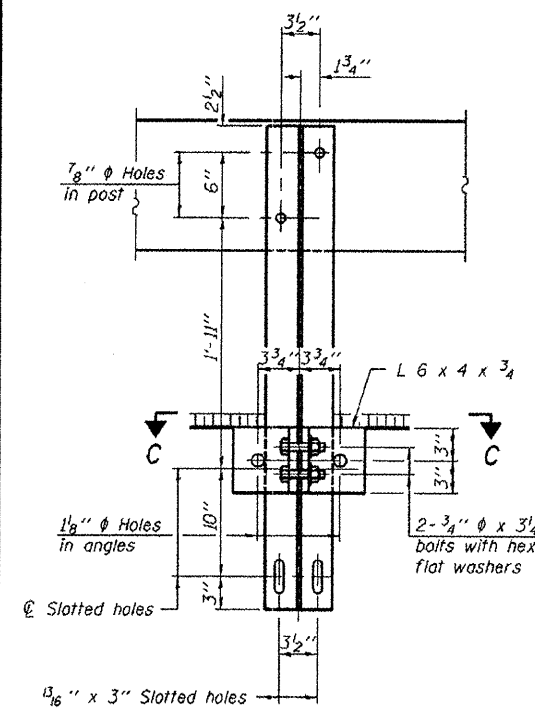
1 1/2" x 11 1/2" x 5"



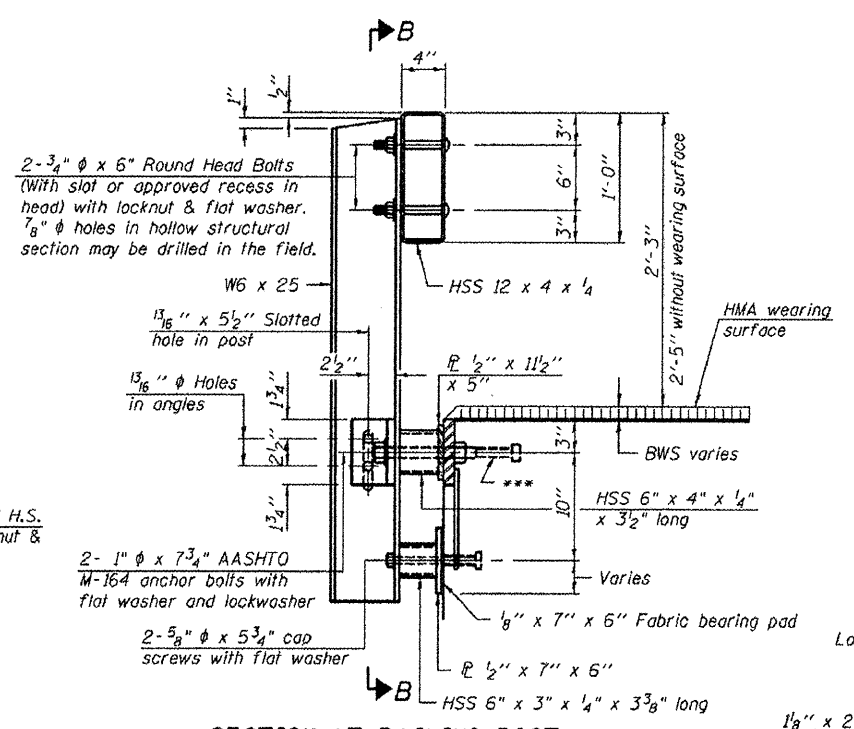
1 1/2" x 7" x 6"



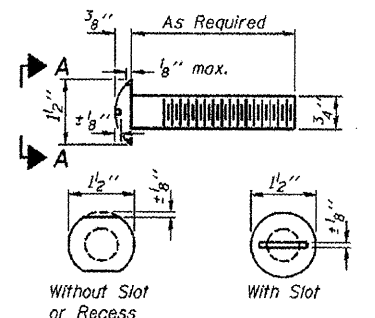
CURLED END SECTION DETAILS



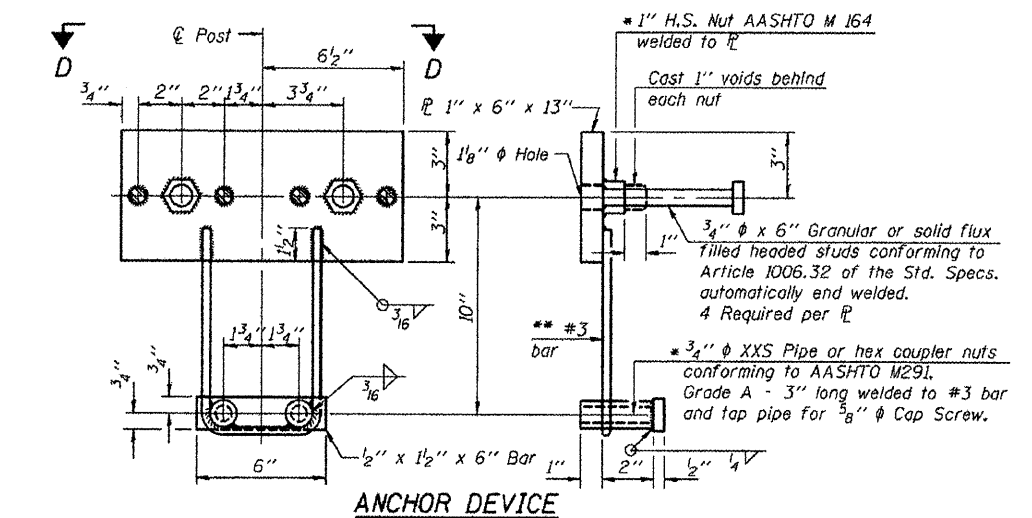
SECTION B-B



SECTION AT RAILING POST



VIEW A-A ROUND HEAD BOLT



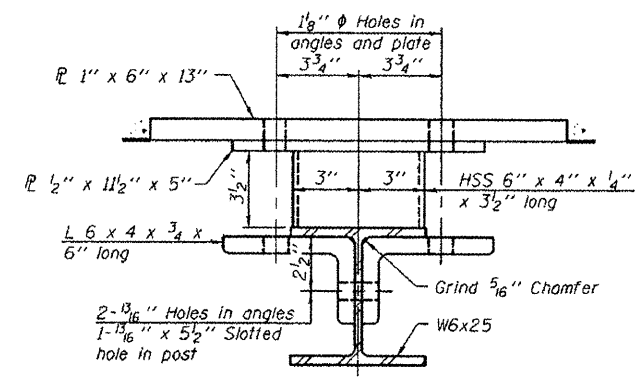
ANCHOR DEVICE

Notes:
 All field drilled holes shall be coated with an approved zinc rich paint before erection.
 For multi-span bridges, sufficient 1/4" x 6" x 1'-2" galvanized steel shims shall be provided to align rail between adjacent spans. Cost included with Steel Railing, Type S-1.
 All steel rail elements shall be galvanized according to Article 509.05 of the Standard Specifications.

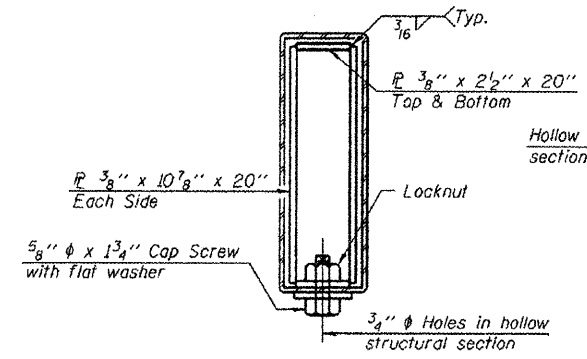
- * Threaded areas shall be plugged or blocked off during casting of beam.
- ** Whenever the lower insert assemblies interfere with strand locations, the #3 bars shall be cut and adjusted in order to allow raising or lowering of the lower inserts. Maximum adjustment not to exceed 1/2".
- *** The studs of the anchor devices shall be placed below the top reinforcement bars and the outermost longitudinal reinforcement bar shall be placed directly above the studs of the rail post anchor device. 10'-9" Maximum Post Spacing

BILL OF MATERIAL

Item	Unit	Quantity
Steel Railing, Type S-1	Foot	118

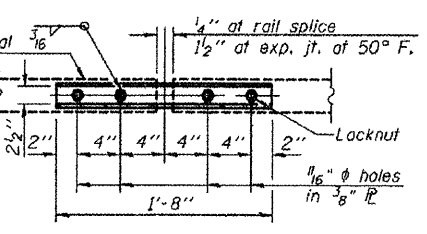


SECTION C-C

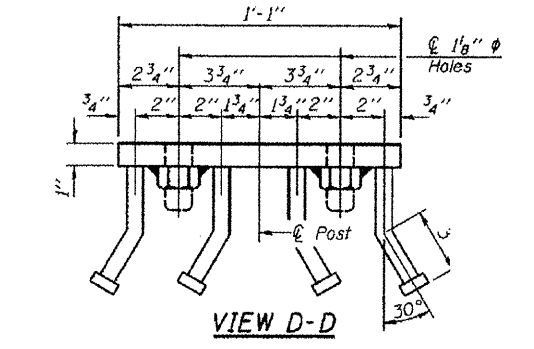


SECTIONS AT RAIL SPLICE

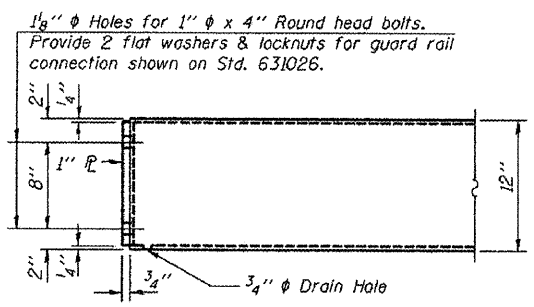
RAIL SPLICE CONNECTION AT EXPANSION JT.



PLAN-BOTT. SPLICE TYPICAL



VIEW D-D



END OF RAIL DETAILS

STEEL RAILING, TYPE S-1
FAU ROUTE 9901 (KRATZINGER HOLLOW RD)
GREEN CREEK
SECTION 06-01186-00-BR
UNION COUNTY
STRUCTURE NO. 091-3229