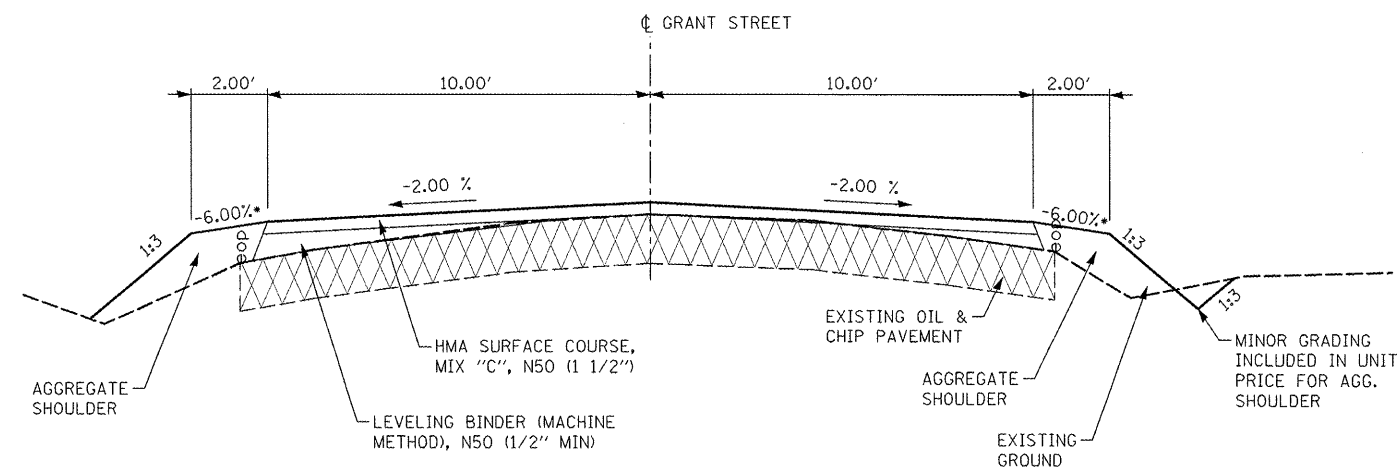
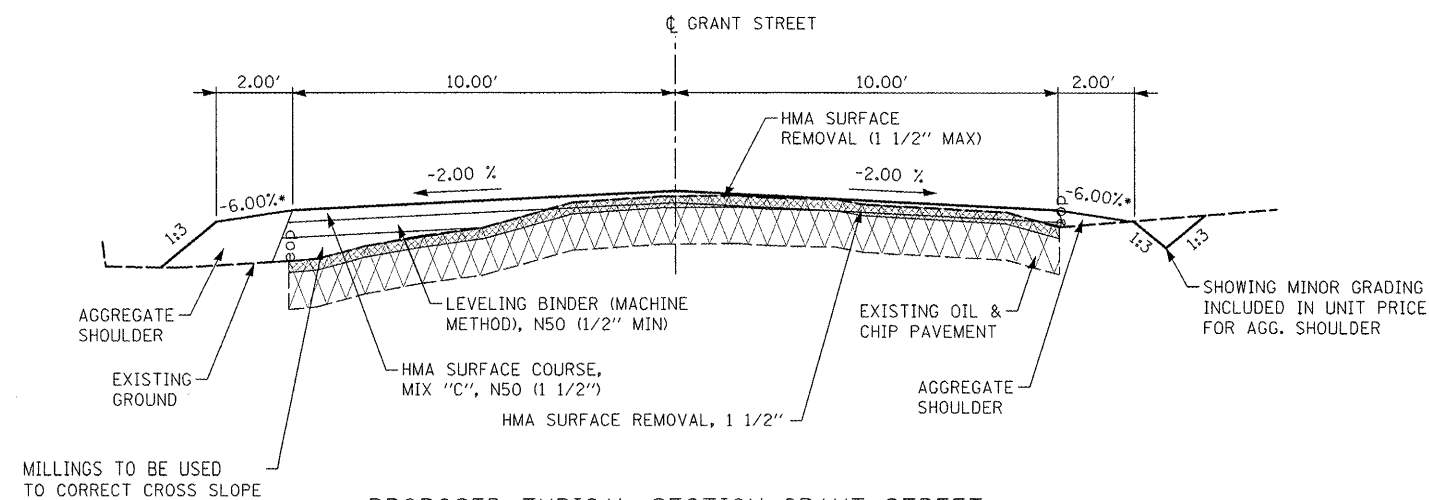


PROPOSED TYPICAL SECTION GRANT STREET
STA 10+65 TO STA 14+50



PROPOSED TYPICAL SECTION GRANT STREET
STA 14+50 TO STA 18+00



PROPOSED TYPICAL SECTION GRANT STREET
STA 18+00 TO STA 24+00

NOTES:

• VARIES

AREAS OF MINOR GRADING ARE INDICATED ON THE PLAN VIEWS. LIMITS MAY VARY DUE TO ACTUAL CONDITIONS. NO ADDITIONAL COMPENSATION WILL BE ALLOWED FOR MAINTAINING FLOW BEYOND THE LIMITS SHOWN. ALL WORK SHALL BE INCLUDED IN THE BID UNIT PRICE FOR AGGREGATE SHOULDERS, TYPE A

ALL SECTIONS SHOWN ARE LOOKING NORTH

MILLING SHALL BE PROFILE CONTROLLED AT CENTERLINE. ENTIRE ROADWAY SHALL BE MILLED TO ENSURE GOOD BINDING BETWEEN MILLINGS AND ROAD. MILLING SHALL BE GRADED AND USED TO CORRECT MAJOR VARIATIONS PRIOR TO LEVELING BINDER.

FILE NAME =
HN\6149\VC_TYPSCT.6305.dgn

USER NAME = .USERDESCR.
PLOT SCALE = 20.0000' / IN.
PLOT DATE = 9/29/2009

DESIGNED - DLD
DRAWN - KOJ
CHECKED -
DATE -

REVISED -
REVISED -
REVISED -
REVISED -

STATE OF ILLINOIS
DEPARTMENT OF TRANSPORTATION

TYPICAL SECTIONS

SCALE: SHEET NO. OF SHEETS STA. TO STA.

F.A.U. RTE.	SECTION	COUNTY	TOTAL SHEETS	SHEET NO.
VAR	09-00028-00-RS	PERRY	12	3
CONTRACT NO. 99386				
ILLINOIS FED. AID PROJECT ARA-5084 (003)				