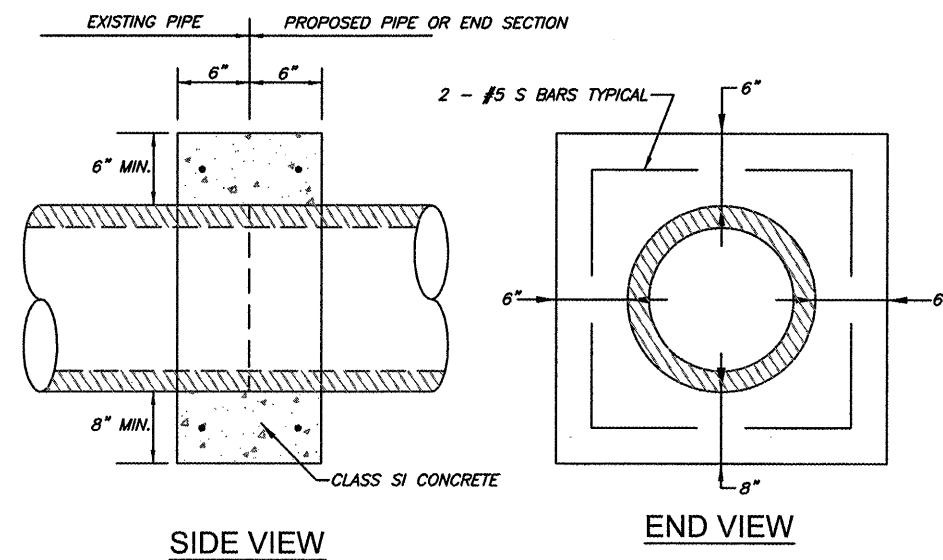


Route	Section	County	Total Sheets	Sheet No.
9550/9556	09-00086-00-RS	SALINE	12	3
City of Harrisburg		Sloan Street		

CONTRACT NO. 99401

CLASS B PATCHING SUMMARY

SHEET NO.	CONCRETE PATCHING (SQ. YD.)
4	141.8
5	254.6
6	88.2
7	92.5
10	359.3
11	25.7
TOTAL	965



PIPE DIA.	CLASS SI CONCRETE CU. YD. (EST.)
12"	0.16
15"	0.19
18"	0.21
24"	0.29
30"	0.37
36"	0.44
42"	0.53
48"	0.62
54"	0.71

NOTES:

1. ALL CONCRETE AND REINFORCEMENT SHALL BE CONSIDERED PART OF THE PIPE CULVERT OR STORM SEWER PAY ITEM.

CONCRETE COLLAR DETAILS