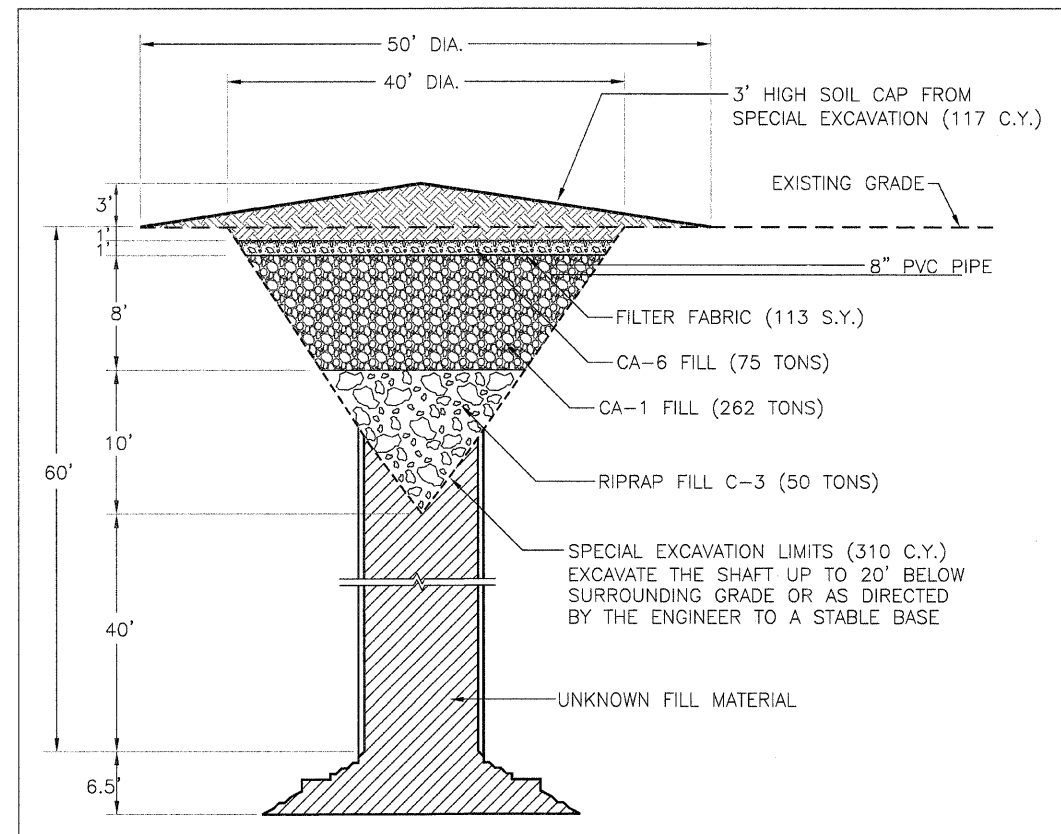


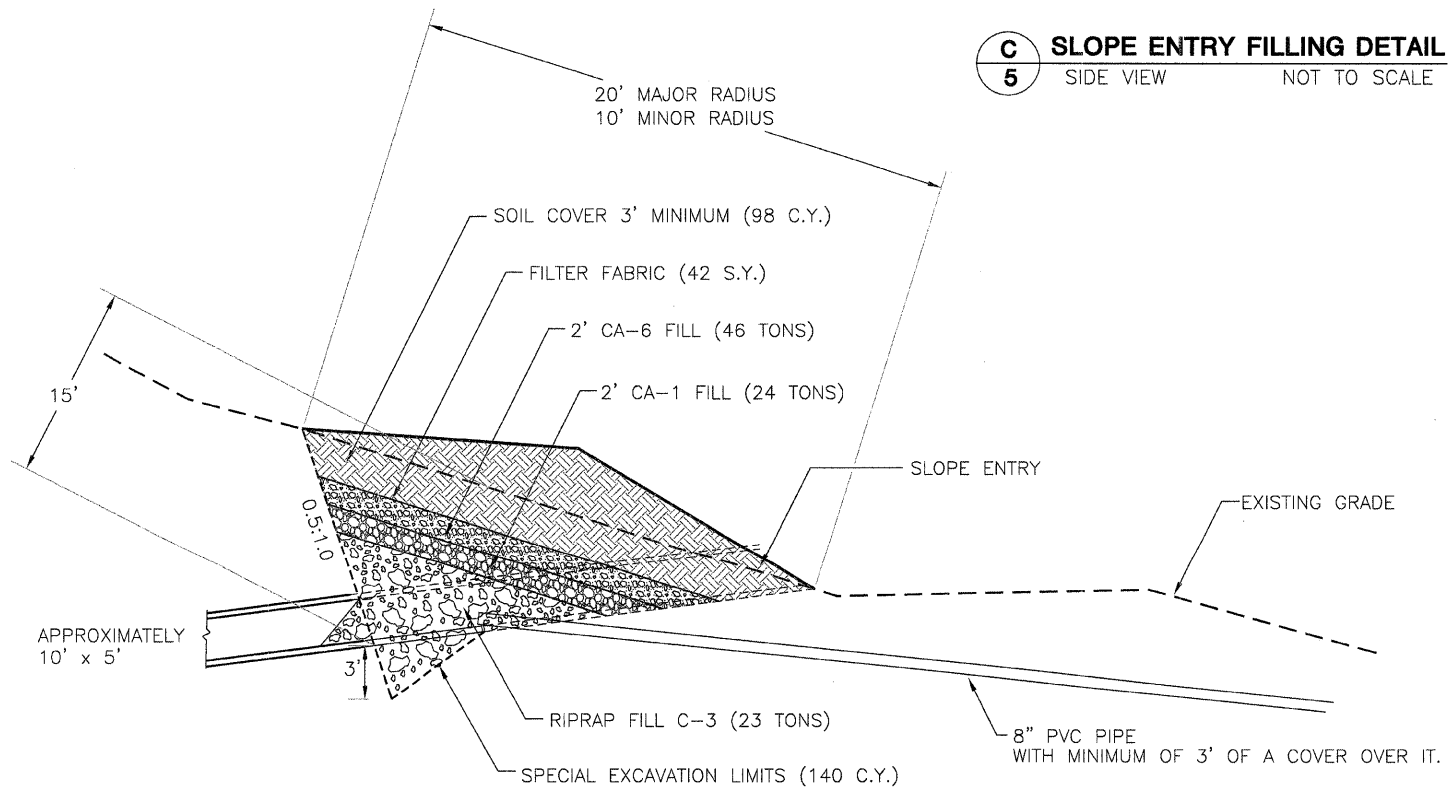
A
5 **EXCELSIOR MINE SHAFT FILLING DETAIL**
NOT TO SCALE

NOTE: REMOVE ALL TRASH AND DEBRIS FROM SHAFT TO A DEPTH OF 20' TO STABLE EXISTING FILL OR AS DIRECTED BY THE PROJECT ENGINEER.

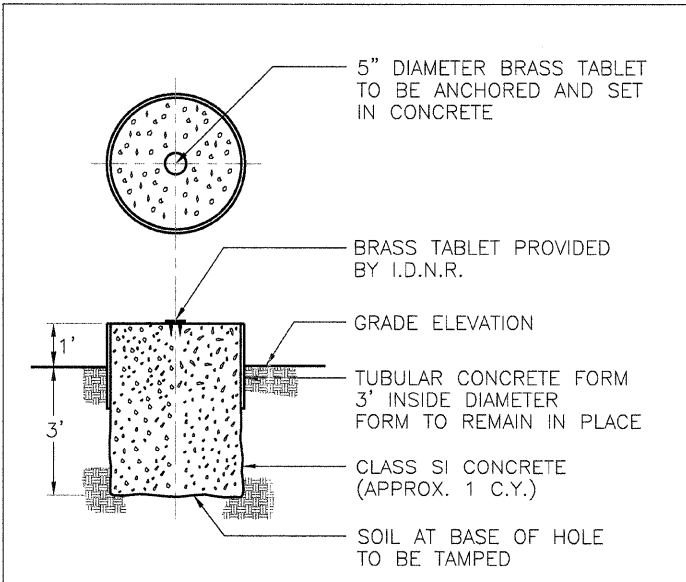


B
5 **MAIN GUY AIR SHAFT FILLING DETAIL**
NOT TO SCALE

NOTE:
DUE TO THE UNKNOWN CONDITIONS THAT EXIST IN AND AROUND THE MINE OPENINGS, THE CONTRACTOR SHALL USE EXTREME CAUTION WHEN PERFORMING WORK NEAR THEM. THE ENGINEER RESERVES THE RIGHT TO INCREASE OR DECREASE THE QUANTITY FOR SPECIAL EXCAVATION AND BACKFILLING MATERIALS AS DETERMINED BY THE EXACT CONDITIONS ENCOUNTERED DURING SPECIAL EXCAVATION.



C
5 **SLOPE ENTRY FILLING DETAIL**
SIDE VIEW NOT TO SCALE



D
5 **MINE OPENING MARKER DETAIL**
NOT TO SCALE
EXACT LOCATION TO BE SET BY ENGINEER