

**State of Illinois**  
**Department of Natural Resources**  
**Office of Mines and Minerals**  
**Division of Abandoned Mined Lands**

Funded by the  
 United States Department of Interior  
 Federal Office of Surface Mining


Main Guy Mine Group  
 Reclamation Project  
 AML-GScE-0806  
 St. Clair County  
 3LR

SCHEDULE OF DRAWINGS:

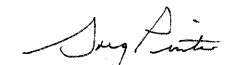
1. Cover Sheet
2. Summary of Quantities/General Notes/Location Map
3. Existing and Proposed Conditions - Excelsior Mine
4. Existing & Proposed Conditions - Main Guy Mine
5. Details Sheet

Prepared By IDNR Staff

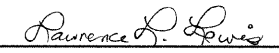
Approved for Bidding:

  
 Joseph R. Angleton, Director  
 Office of Mines and Minerals

Approved By:

  
 Greg Pinto, Acting Manager  
 AML Division

Approved By:

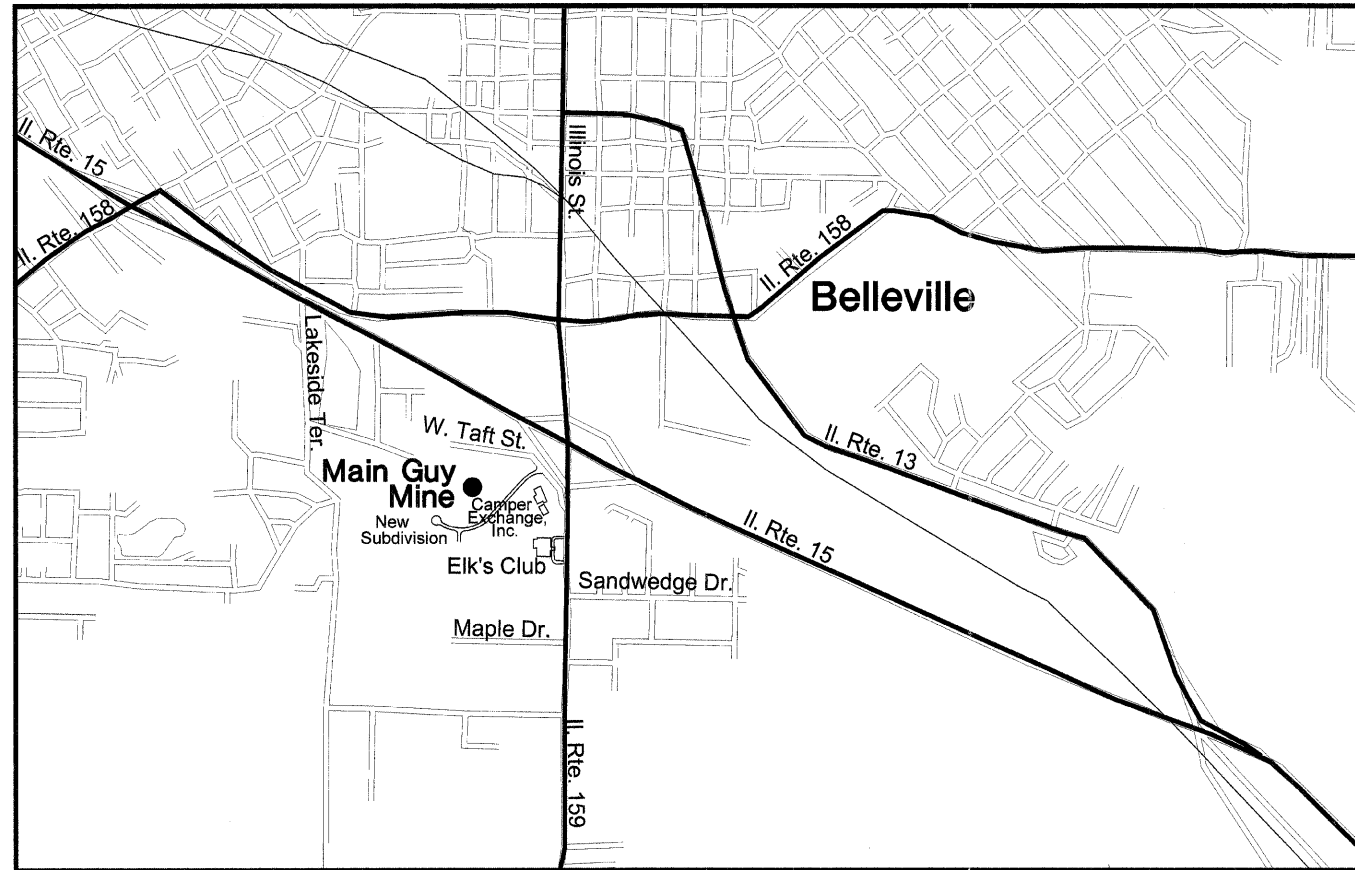
  
 Lawrence L. Lewis, P.E.  
 IL Licensed Professional Engineer  
 No. 0062-038880



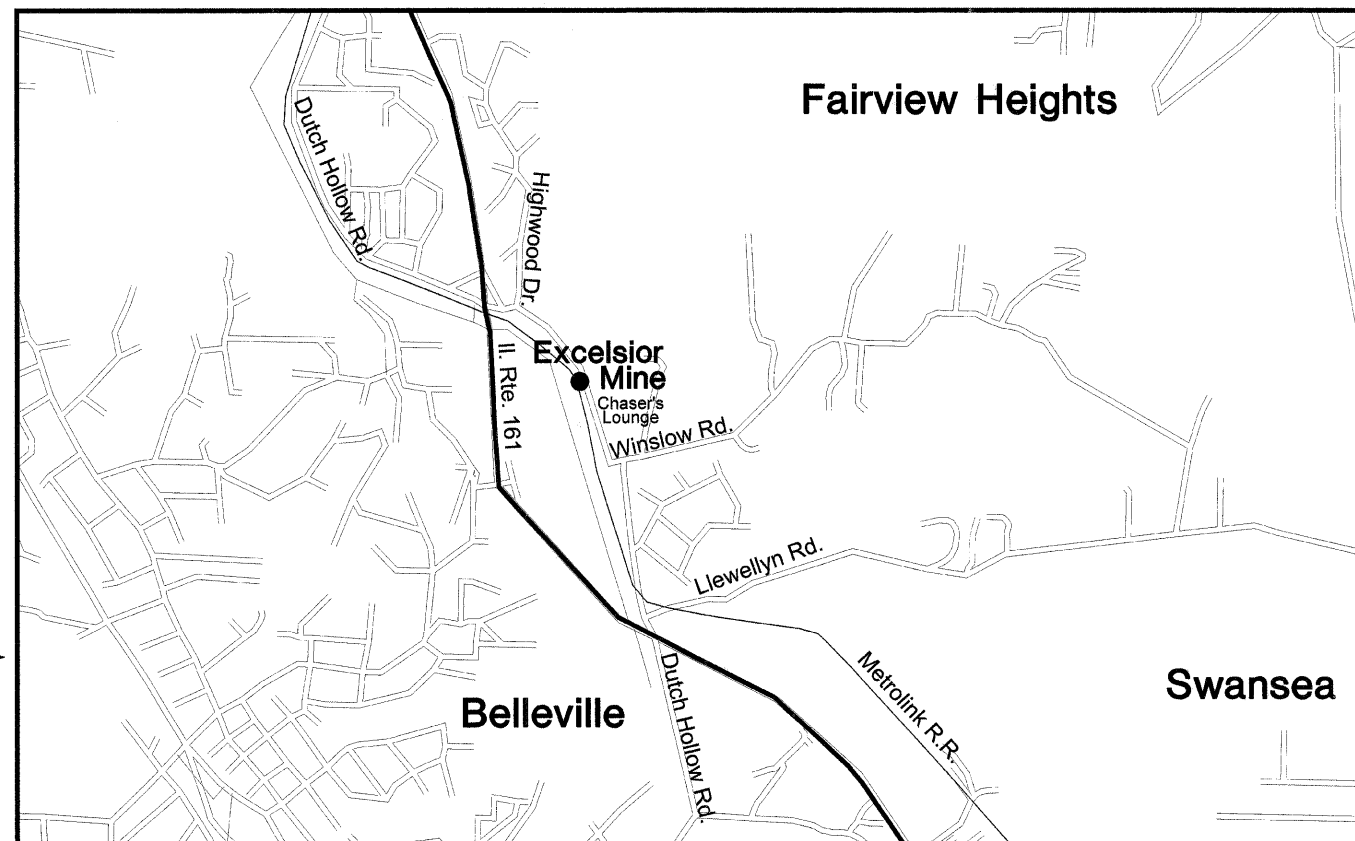
Main Guy Mine Group  
 St. Clair County

Summary of Quantities

#	Item	Section	Quantities			Unit	Rates/Remarks
			Main Guy Mine	Excelsior Mine	Totals		
1	Special Clearing	201	0.5	0.5	1	L.S.	
2	Earth Excavation	202	95	164	259	C.Y.	
3	Special Excavation	214	450	297	747	C.Y.	
4	Riprap Fill C-3	216	73	-	73	Ton	
5	CA-1 Fill	216	286	-	286	Ton	
6	CA-6 Fill	216	121	247	368	Ton	
7	FA-3 Fill	216	-	25	25	Ton	
8	Filter Fabric	216	155	-	155	S.Y.	
9	Seeding, Class 6, Conservation Mixture	IDOT 250	1.8	0.6	2.4	Acre	
10	Nitrogen Fertilizer Nutrient	IDOT 250	216	72	288	Pound	120 Lbs./Acre
11	Phosphorous Fertilizer Nutrient	IDOT 250	180	60	240	Pound	100 Lbs./Acre
12	Potassium Fertilizer Nutrient	IDOT 250	630	210	840	Pound	350 Lbs./Acre
13	Agricultural Ground Limestone	IDOT 250	18	6	24	Ton	10 Ton/Acre
14	Mulch, Method 2, Procedure 1	IDOT 251	1.8	0.6	2.4	Acre	2 Ton/Acre
15	Removal of Existing Structures	501	1	-	1	L.S.	
16	8" PVC Pipe	IDOT 542	290	-	290	Foot	
17	Temporary Site Safety Fence	643	-	500	500	Foot	
18	Mine Opening Marker	666	1	1	2	Each	
19	Mobilization (Max. 6% of Bid)	671	0.5	0.5	1	L.S.	



Location Map - Main Guy Mine



Location Map - Excelsior Mine

GENERAL NOTES

Unless otherwise noted on the plans, all disturbed areas within the construction limits will be amended with agricultural ground limestone, fertilizer nutrients, seeded and mulched at the required rates specified in the plans.

The contractor is responsible for visiting the site and familiarizing himself with the existing conditions and the proposed reclamation work prior to submitting a bid.

The contractor shall provide and pay for all field engineering services to execute the project as specified in the Field Engineering section of the Special Provisions.

The contractor is responsible for locating and protecting all existing utility lines pertaining to the work.

Unless noted on the plans, all onsite access roads may be used for construction and must be maintained during construction and restored to original or better condition at the completion of work by the contractor. Access roads to the site as designated in the plans are to be maintained to the satisfaction of the engineer.

The construction limits will be staked by the contractor prior to construction. The contractor is responsible for the repair and or restitution at his own expense for all damages done to any area outside the construction limits.

Application rates specified in the plans are shown in the Summary of Quantities-Rates/Remarks column.

CONSTRUCTION NOTES

**BURIAL/REMOVAL OF MATERIAL**-Concrete and masonry debris designated for burial by the engineer shall be buried at least three feet below proposed final grade. Onsite organic debris and trash shall be disposed of in an engineer approved offsite landfill in accordance with Sections 201 and 501 of the Special Provisions.

**TREE REMOVAL**-Trees removed shall be disposed of onsite per Section 201 of the Special Provisions. Tree removal shall be completed before April 1, 2009.

**EROSION CONTROL**-The contractor shall schedule his operations and take such precautions that may be necessary to prevent or minimize erosion. Failure to comply with this requirement shall cause the contractor to be fully responsible for repairing any eroded areas and cleaning up areas or drainage structures that have become silted in or damaged.

**AGRICULTURAL GROUND LIMESTONE**-Immediately prior to seed bed preparation, fertilizer nutrients and agricultural ground limestone shall be uniformly spread at the rates specified in the plans.

**MULCHING**-Within 24 hours from the time seeding has been performed, the seeded area shall be given a covering of mulch at the rates specified in the plans. The mulch is to be anchored into the soil in accordance with the requirements for method 2, procedure 1 of Article 251.03 of the Standard Specifications. If Excelsior or Special Excelsior Blanket is to be used, the blanket shall be placed the same day that the areas are seeded.

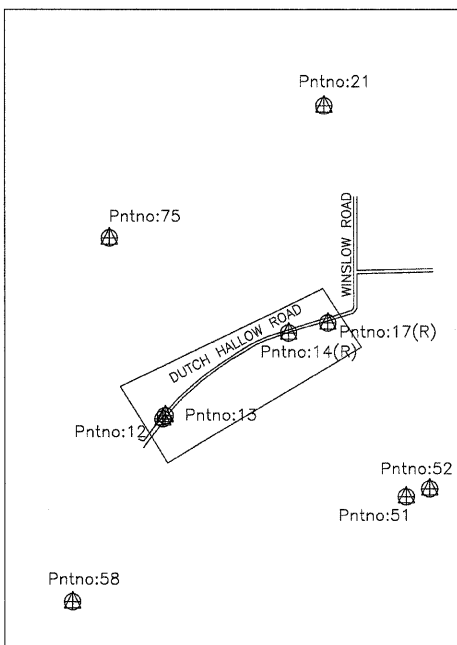
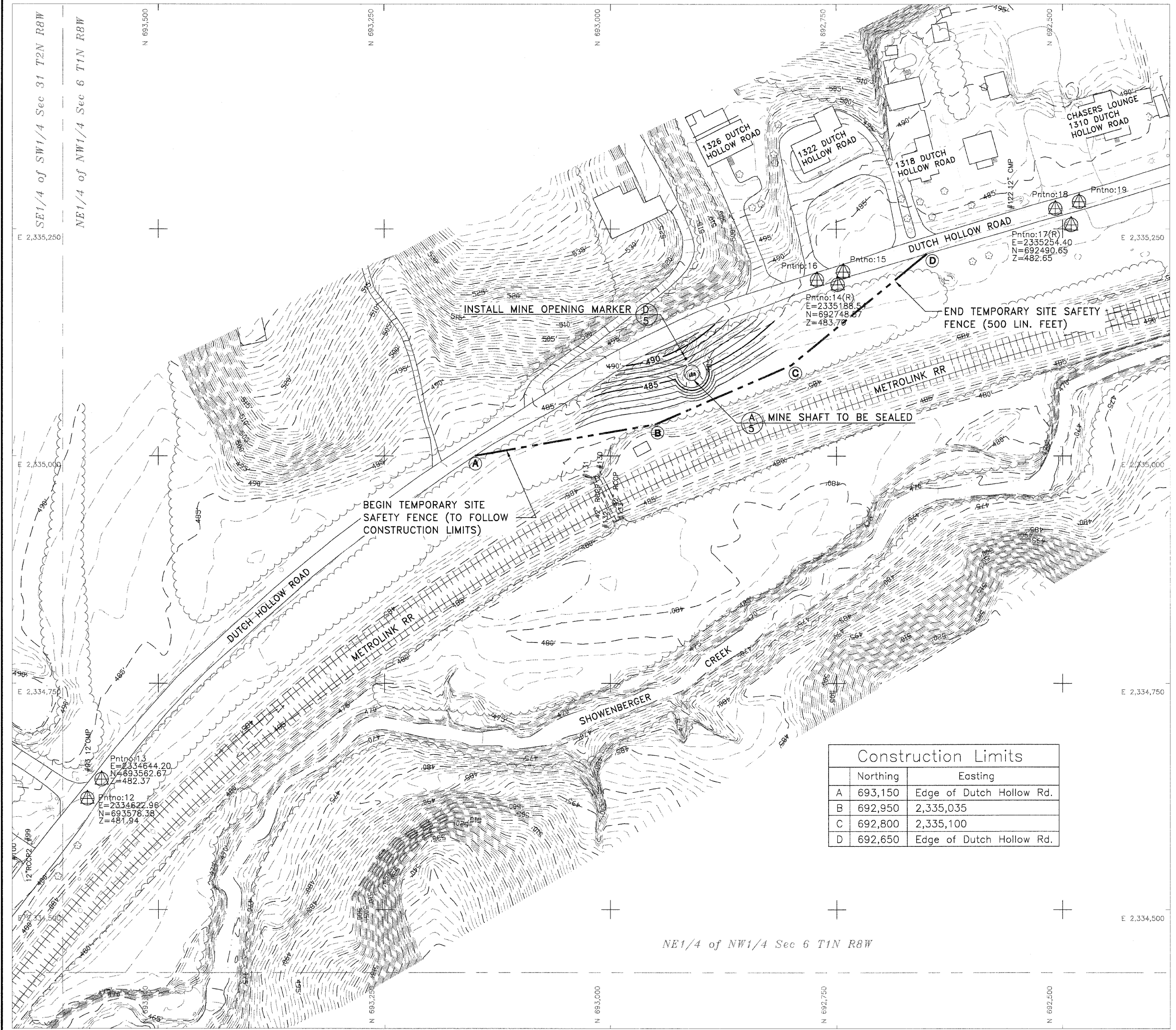


State of Illinois  
Department of Natural Resources

Main Guy Mine Group  
Reclamation Project  
AML-GScE-0806  
St. Clair County

Drawn By: T.M.  
Checked By: T/n  
Date: 11/10/08  
12/3/08

Summary of Quantities/  
General Notes/Location Map  
Sheet  
2 of 5



Traverse Layout Data

**SPECIAL NOTE:**  
 CONTRACTOR SHALL COMPLY WITH THE INSURANCE REQUIREMENTS OF ARTICLES 107.11 & 107.27 OF THE SPECIAL PROVISIONS. THE CONTRACTOR SHALL ALSO COMPLY WITH INSURANCE AND OTHER REQUIREMENTS OF THE TEMPORARY RIGHT OF ENTRY AGREEMENT WITH METROLINK AND SHALL SIGN THE CONTRACTORS ACCEPTANCE FORM.

**NOTE:**  
 DUE TO THE UNKNOWN CONDITIONS THAT EXIST IN AND AROUND THE SHAFT, THE CONTRACTOR SHALL USE EXTREME CAUTION WHEN PERFORMING WORK NEAR THE SHAFT. THE ENGINEER RESERVES THE RIGHT TO INCREASE OR DECREASE THE QUANTITY FOR SPECIAL EXCAVATION AND BACKFILLING MATERIALS AS DETERMINED BY THE EXACT CONDITIONS ENCOUNTERED DURING SPECIAL EXCAVATION.

Construction Limits	
Northing	Easting
A 693,150	Edge of Dutch Hollow Rd.
B 692,950	2,335,035
C 692,800	2,335,100
D 692,650	Edge of Dutch Hollow Rd.

- 400' — EXISTING CONTOUR
- 450' — PROPOSED CONTOUR
- - - CONSTRUCTION LIMITS
- EDGE OF ROAD
- TREELINE
- - - EDGE OF WATER
- ⊕ SURVEY CONTROL POINT

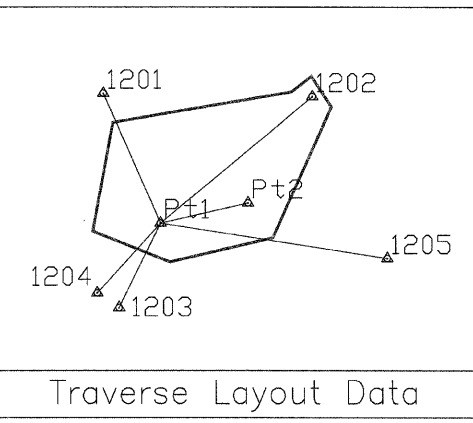
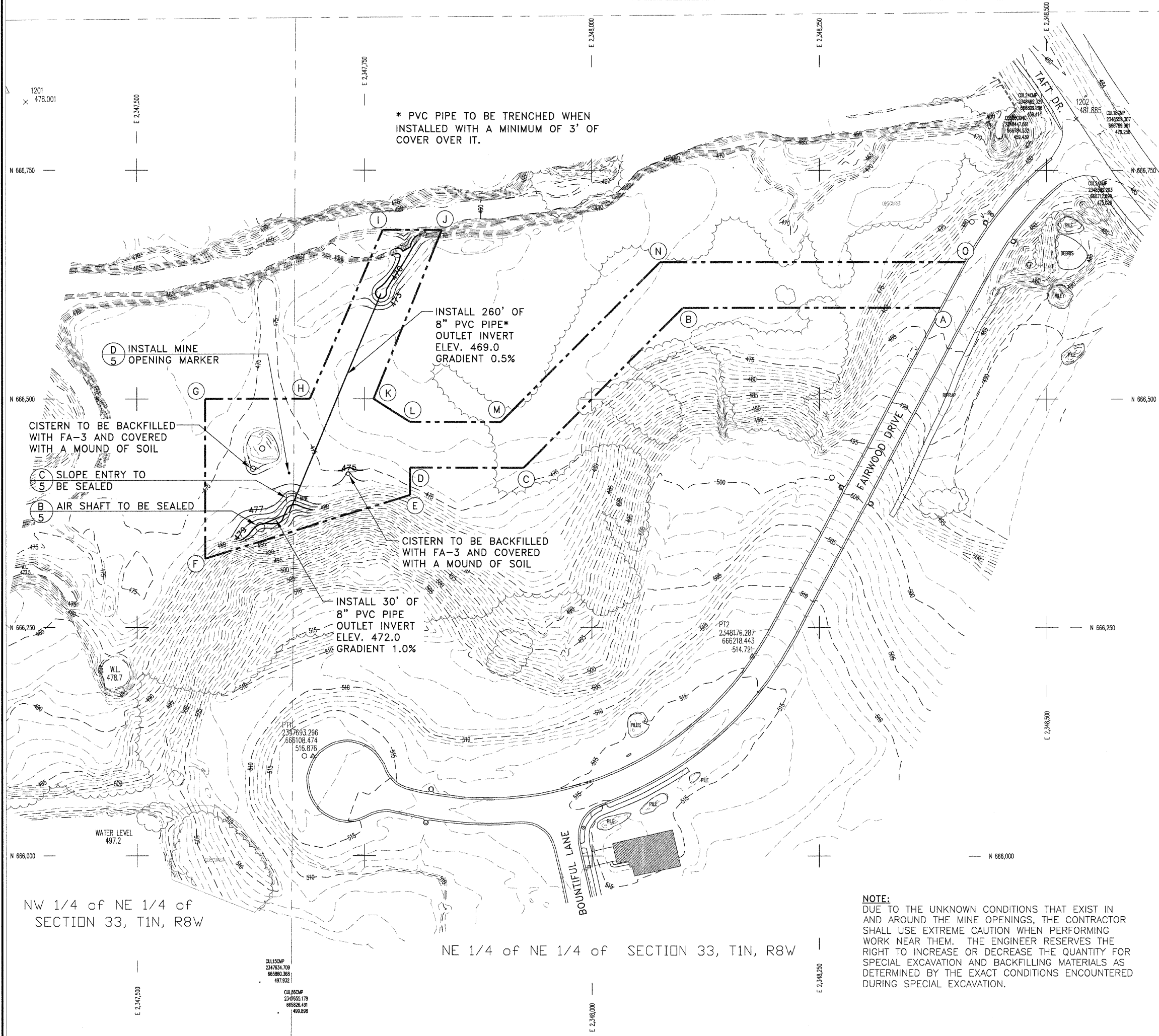
Legend

**Excelsior Mine**

N

0 50 100  
SCALE IN FEET

Drawn By: M-LF  
 Checked By: T/L  
 Date: 10/17/2007  
 12/3/08

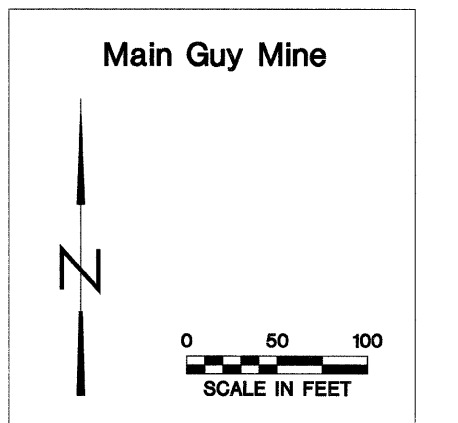


CONSTRUCTION LIMITS

	NORTHING	EASTING
A	666,600	2,348,383
B	666,600	2,348,100
C	666,425	2,347,925
D	666,425	2,347,800
E	666,395	2,347,800
F	666,325	2,347,575
G	666,500	2,347,575
H	666,500	2,347,690
I	666,685	2,347,770
J	666,685	2,347,835
K	666,500	2,347,760
L	666,475	2,347,800
M	666,475	2,347,900
N	666,650	2,348,075
O	666,650	2,348,140

Legend

---420---	EXISTING CONTOUR
—500—	PROPOSED CONTOUR
— — — —	CONSTRUCTION LIMITS
— — — —	EDGE OF ROAD
~~~~~	TREELINE
- - - - -	EDGE OF WATER
▲	SURVEY CONTROL POINT



State of Illinois  
Department of Natural Resources

Main Guy Mine  
Reclamation Project  
AML-GScE-0806  
St. Clair County

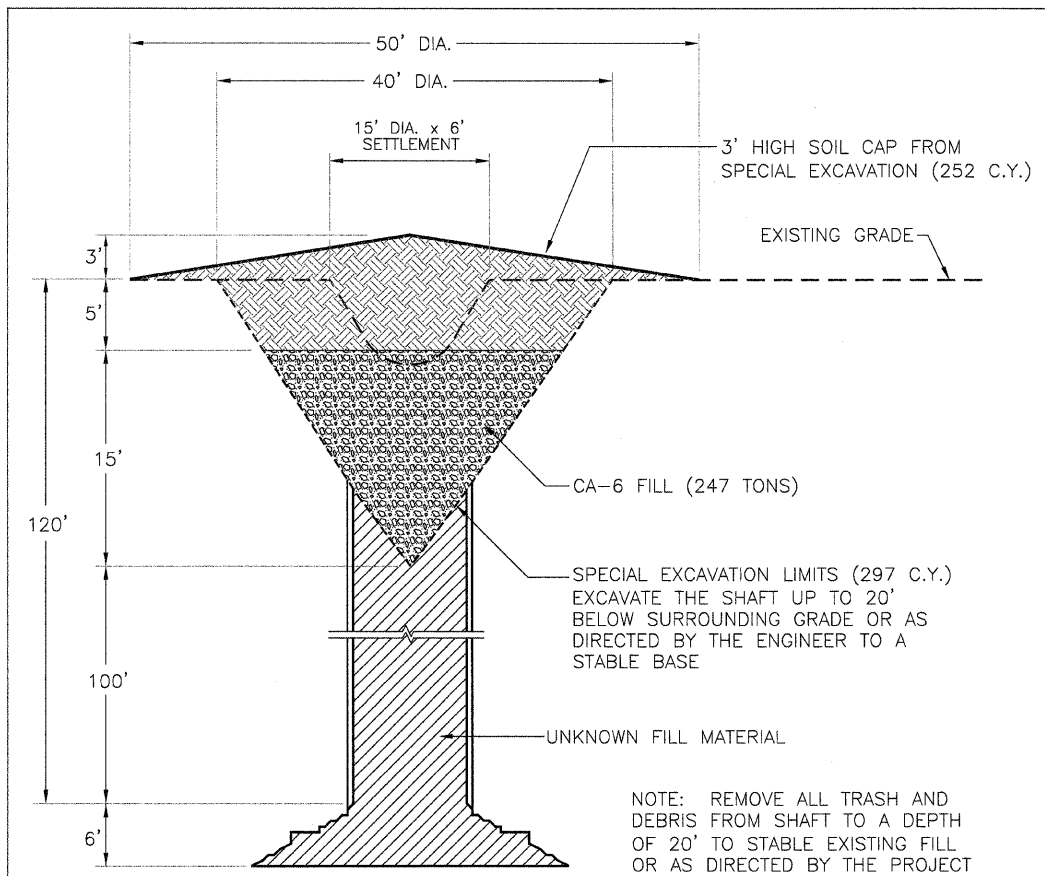
Drawn By: M-LF  
Checked By: T/In  
Date: 10/24/2008  
12/3/08

Existing & Proposed  
Conditions  
Sheet  
4 of 5

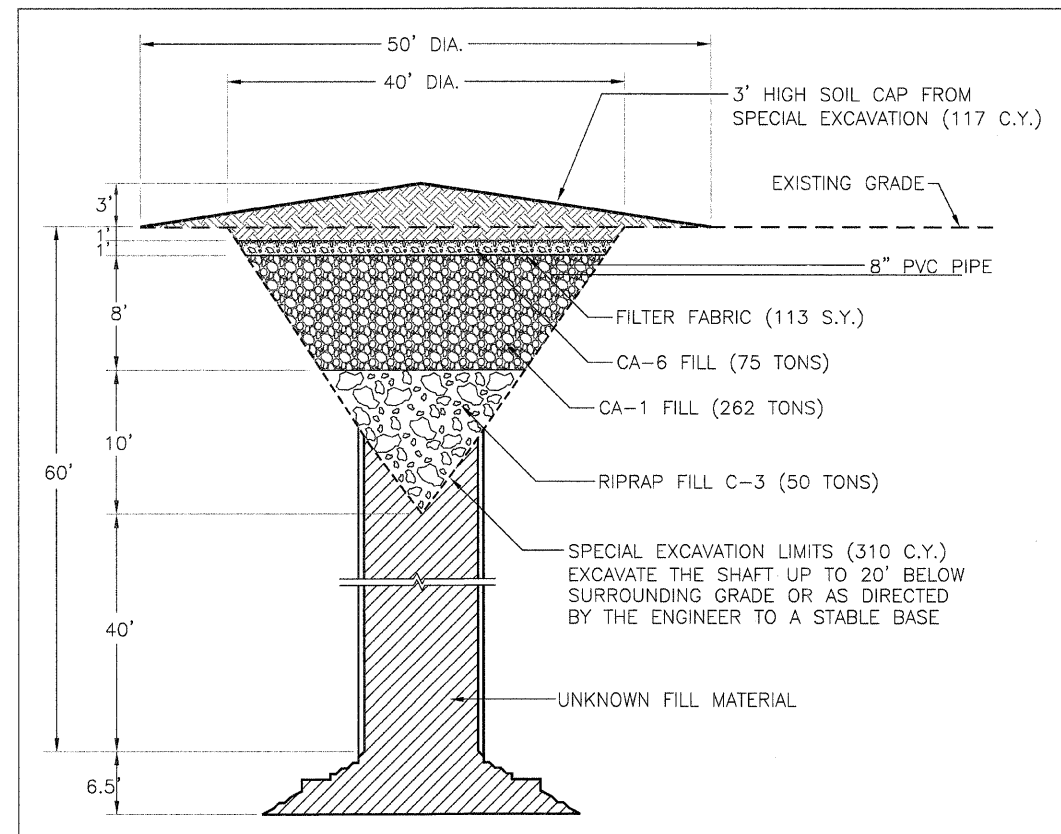
**NOTE:**  
DUE TO THE UNKNOWN CONDITIONS THAT EXIST IN AND AROUND THE MINE OPENINGS, THE CONTRACTOR SHALL USE EXTREME CAUTION WHEN PERFORMING WORK NEAR THEM. THE ENGINEER RESERVES THE RIGHT TO INCREASE OR DECREASE THE QUANTITY FOR SPECIAL EXCAVATION AND BACKFILLING MATERIALS AS DETERMINED BY THE EXACT CONDITIONS ENCOUNTERED DURING SPECIAL EXCAVATION.

NW 1/4 of NE 1/4 of SECTION 33, T1N, R8W

NE 1/4 of NE 1/4 of SECTION 33, T1N, R8W

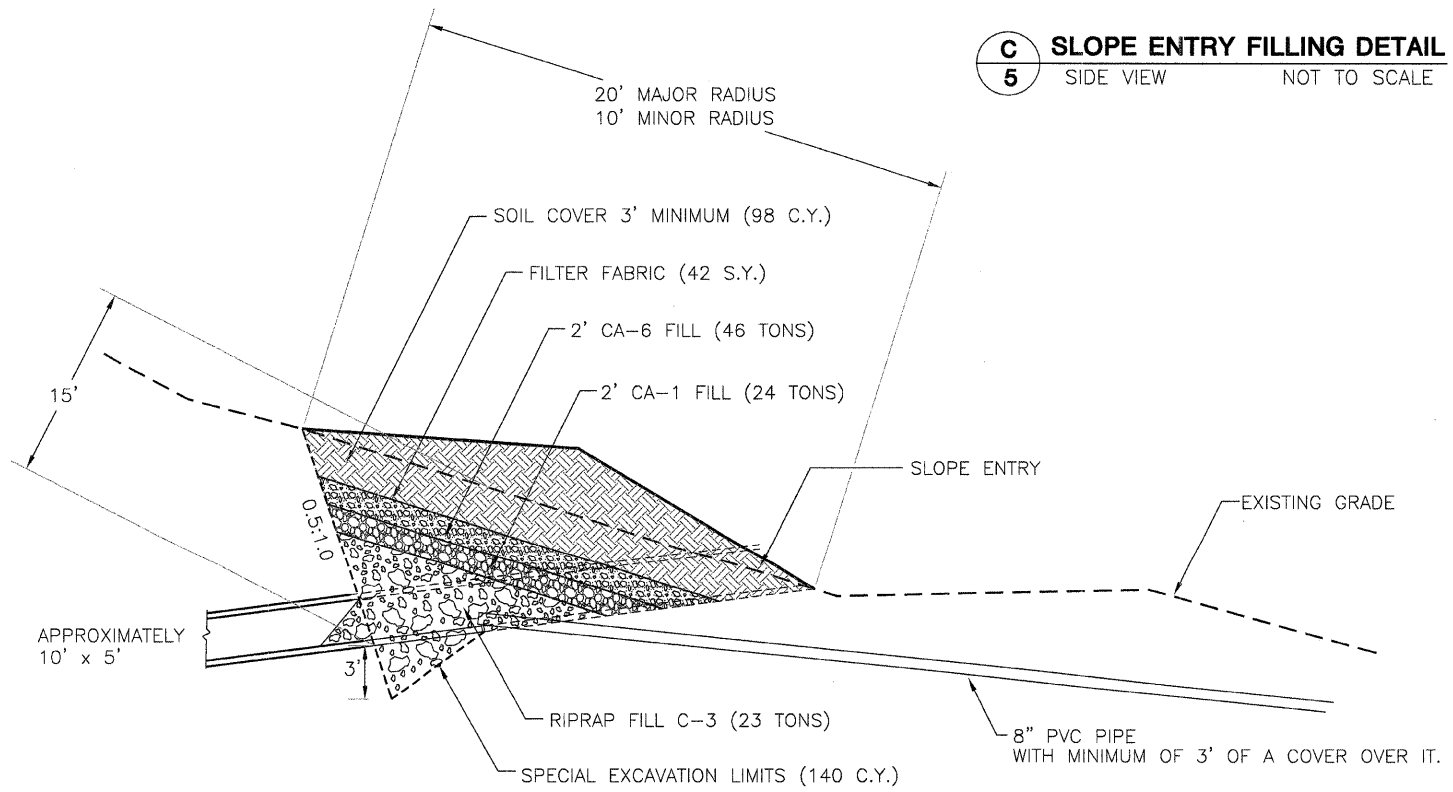


**A**  
**5** **EXCELSIOR MINE SHAFT FILLING DETAIL**  
NOT TO SCALE

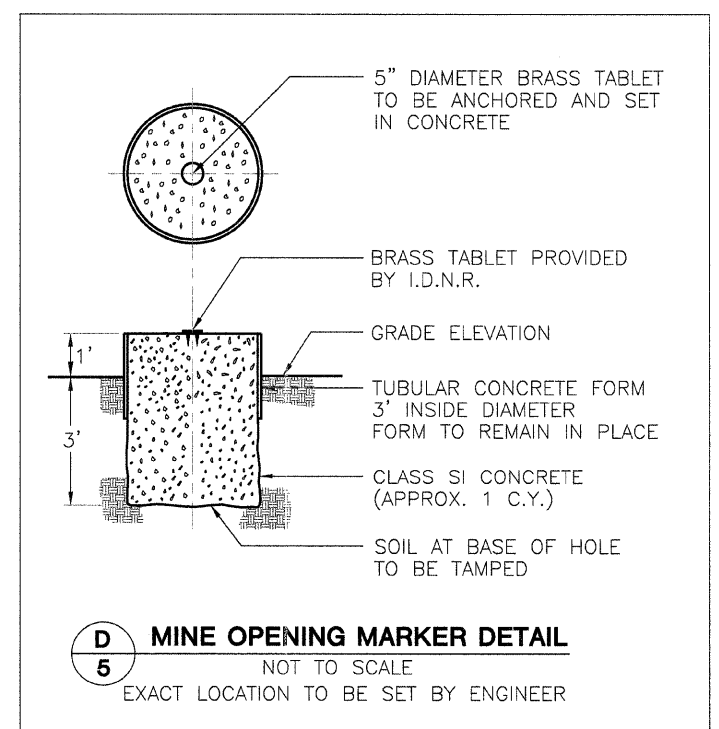


**B**  
**5** **MAIN GUY AIR SHAFT FILLING DETAIL**  
NOT TO SCALE

**NOTE:**  
DUE TO THE UNKNOWN CONDITIONS THAT EXIST IN AND AROUND THE MINE OPENINGS, THE CONTRACTOR SHALL USE EXTREME CAUTION WHEN PERFORMING WORK NEAR THEM. THE ENGINEER RESERVES THE RIGHT TO INCREASE OR DECREASE THE QUANTITY FOR SPECIAL EXCAVATION AND BACKFILLING MATERIALS AS DETERMINED BY THE EXACT CONDITIONS ENCOUNTERED DURING SPECIAL EXCAVATION.



**C**  
**5** **SLOPE ENTRY FILLING DETAIL**  
SIDE VIEW NOT TO SCALE



**D**  
**5** **MINE OPENING MARKER DETAIL**  
NOT TO SCALE  
EXACT LOCATION TO BE SET BY ENGINEER