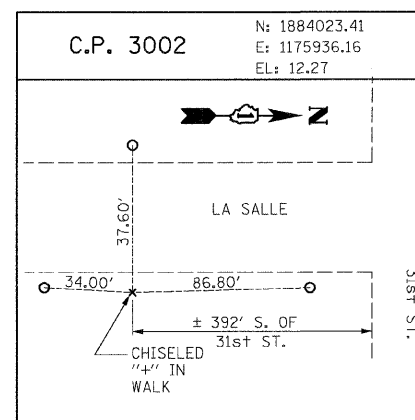
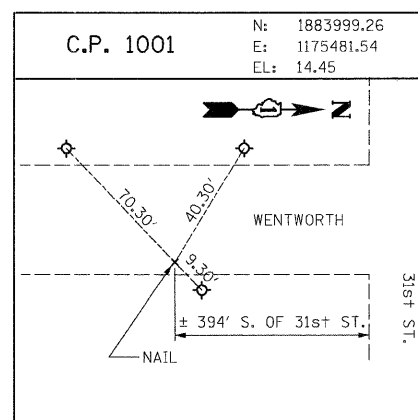
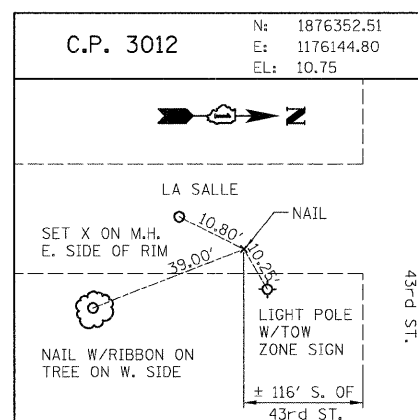
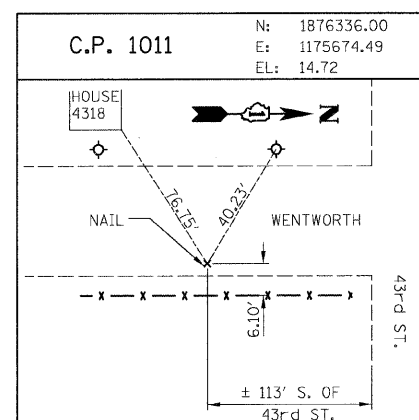


F.A.I.	SECTION	COUNTY	TOTAL SHEETS	SHEET NO.
94/90	2005-0341	COOK	41	8
STA.		TO STA.		
FED. ROAD DIST. NO.	ILLINOIS	FED. AID PROJECT		

60A05



RAMP P.O.T. COORDINATE INFORMATION

POINT	DESCRIPTION	STATION	NORTH	EAST
BEGIN	RAMP 47A	5060+00.00	1,875,185.77	1,175,764.15
END	RAMP 47A	5074+13.97	1,873,854.99	1,175,322.86
BEGIN	RAMP 47B	6059+26.00	1,874,166.99	1,175,887.94
END	RAMP 47B	6069+64.12	1,875,168.85	1,176,104.15
BEGIN	RAMP 43C	7050+00.00	1,876,238.80	1,175,669.59
END	RAMP 43C	7059+84.92	1,875,259.95	1,175,764.44
BEGIN	RAMP 43D	8051+00.00	1,875,411.12	1,176,092.10
END	RAMP 43D	8059+26.72	1,876,237.16	1,176,124.86
BEGIN	RAMP 43A	5040+09.48	1,877,475.98	1,175,723.30
END	RAMP 43A	5048+39.05	1,876,648.91	1,175,658.90
BEGIN	RAMP 43B	6040+09.40	1,876,652.70	1,176,113.96
END	RAMP 43B	6050+27.76	1,877,664.85	1,176,007.29
BEGIN	RAMP 39D	7040+16.52	1,878,882.40	1,175,597.87
END	RAMP 39D	7050+90.17	1,877,816.27	1,175,715.09
BEGIN	RAMP 39C	8040+00.00	1,877,789.82	1,176,003.91
END	RAMP 39C	8051+05.89	1,878,894.81	1,176,048.24

POINT	DESCRIPTION	STATION	NORTH	EAST
BEGIN	RAMP T35D	7040+08.53	1,880,349.18	1,175,584.62
END	RAMP T35D	7053+38.03	1,879,025.07	1,175,691.43
BEGIN	RAMP T35C	8020+34.46	1,879,121.15	1,175,958.93
END	RAMP T35C	8029+64.40	1,880,049.40	1,176,014.92
BEGIN	RAMP T39A	5020+12.77	1,881,685.70	1,175,610.45
END	RAMP T39A	5028+45.01	1,880,854.96	1,175,560.34
BEGIN	RAMP T39B	6019+89.02	1,880,556.70	1,175,995.95
END	RAMP T39B	6033+30.58	1,881,892.23	1,175,884.04
BEGIN	RAMP 35A	5000+11.94	1,883,011.02	1,175,573.65
END	RAMP 35A	5008+14.74	1,882,209.69	1,175,525.14
BEGIN	RAMP 35B	6000+06.87	1,882,050.72	1,175,953.56
END	RAMP 35B	6009+98.58	1,883,037.81	1,175,862.08
BEGIN	RAMP 31D	6998+80.64	1,884,211.76	1,175,472.66
END	RAMP 31D	7009+73.36	1,883,123.75	1,175,571.65
BEGIN	RAMP 31C	8000+11.68	1,883,273.75	1,175,856.72
END	RAMP 31C	8008+42.54	1,884,103.52	1,175,898.24

BENCH MARK NO. 3524 ELEV. 15.17

DESCRIPTION:
CROSS CUT ON NORTH FLANGE BOLT OF FIRE HYDRANT AT THE NORTHWEST CORNER OF 31st ST. AND WENTWORTH AVE.

BENCH MARK NO. 3525 ELEV. 16.93

DESCRIPTION:
CROSS CUT ON NORTHWEST FLANGE BOLT OF FIRE HYDRANT AT THE NORTHWEST CORNER OF 35th ST. AND WENTWORTH AVE.

BENCH MARK NO. 3526 ELEV. 17.37

DESCRIPTION:
CROSS CUT ON NORTHWEST FLANGE BOLT OF FIRE HYDRANT AT THE WENTWORTH GARDEN OFFICE ALONG THE WEST SIDE OF WENTWORTH AVE.

BENCH MARK NO. 3527 ELEV. 15.63

DESCRIPTION:
CROSS CUT ON NORTHERLY FLANGE BOLT OF FIRE HYDRANT AT THE NORTHWEST CORNER OF ROOT ST. AND WENTWORTH AVE.

BENCH MARK NO. 3539 ELEV. 13.10

DESCRIPTION:
CROSS CUT ON EASTERLY BOLT OF LIGHT POLE BASE AT THE SOUTHEAST CORNER OF 43rd ST. AND LA SALLE ST.

BENCH MARK NO. 3540 ELEV. 12.33

DESCRIPTION:
SQUARE CUT ON THE SOUTHWEST CORNER OF THE TRAFFIC CONTROL BOX AT THE NORTHEAST CORNER OF 39th ST. AND LA SALLE ST.

BENCH MARK NO. 3541 ELEV. 14.78

DESCRIPTION:
CROSS CUT ON THE SOUTHWEST BOLT OF LIGHT POLE BASE AT THE SOUTH EAST CORNER OF 35th ST. AND LA SALLE ST.

BENCH MARK NO. 3542 ELEV. 13.57

DESCRIPTION:
CROSS CUT ON THE EASTERLY FLANGE BOLT OF THE FIRE HYDRANT AT THE INTERSECTION OF 31st ST. AND LA SALLE ST.

BOWMAN, BARRETT & ASSOCIATES INC.
CONSULTING ENGINEERS
Chicago, Illinois
312.228.0100
www.bbandainc.com



REVISIONS	
NAME	DATE

ILLINOIS DEPARTMENT OF TRANSPORTATION
F.A.I. 94/90 (DAN RYAN EXPRESSWAY)
SOUTHBOUND FENCE & GATES (47TH ST TO 31ST ST)

ALIGNMENT PLAN

SCALE: 1"=100'
DATE: 10/23/08

DRAWN BY: JDC
CHECKED BY: RS

ALT-05

10/23/08