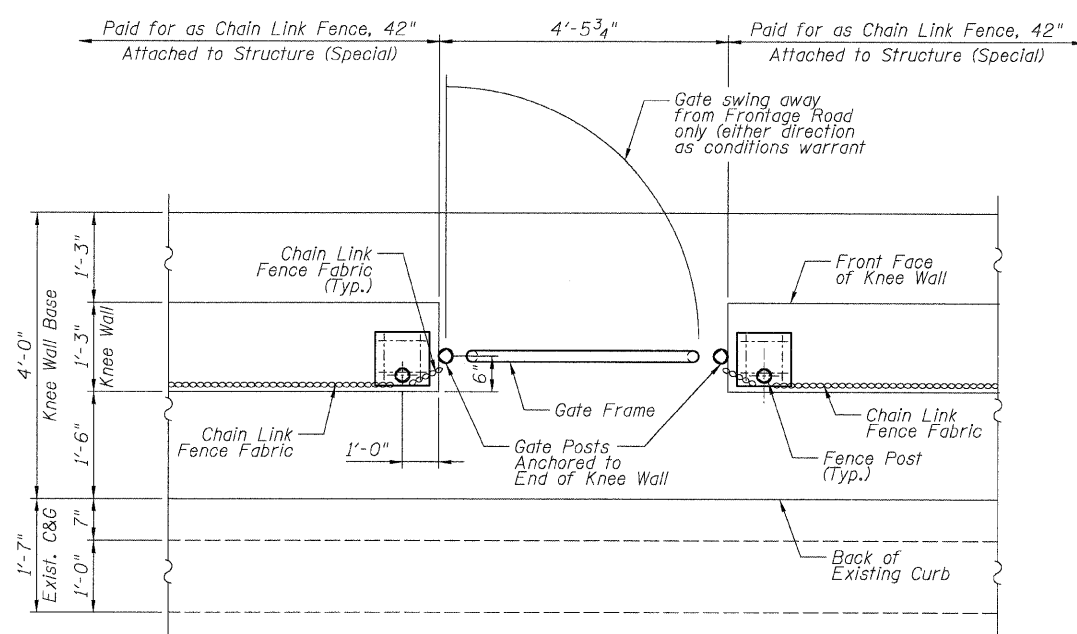
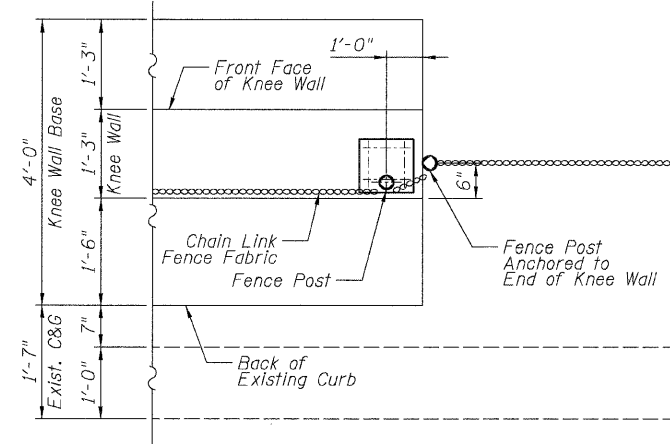


F.A.I.	SECTION	COUNTY	TOTAL SHEETS	SHEET NO.
94/90	2005-0341	COOK	41	27
STA.	TO STA.			
FED. ROAD DIST. NO.	ILLINOIS	FED. AID PROJECT		

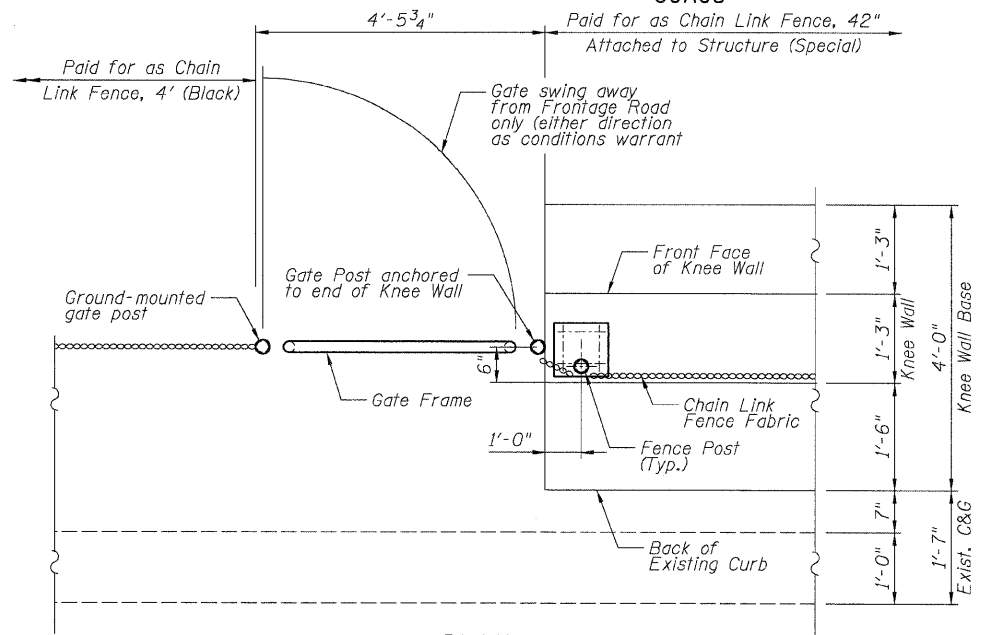
60A05



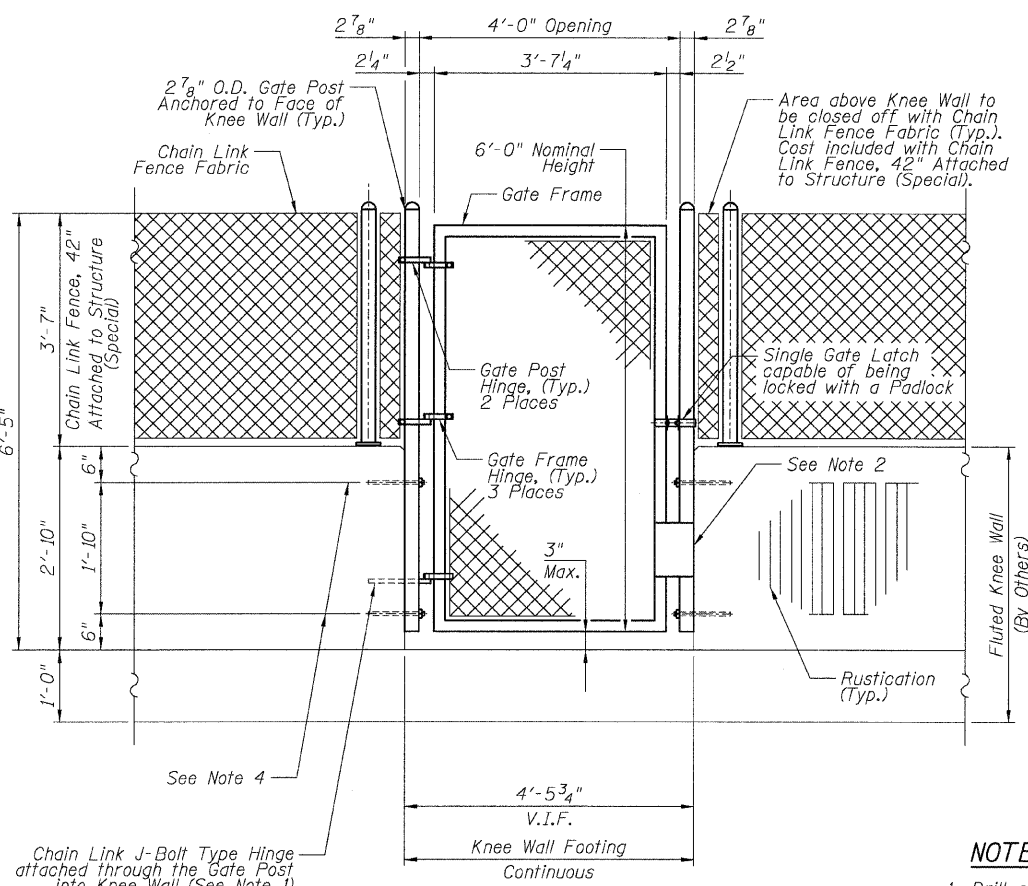
PLAN



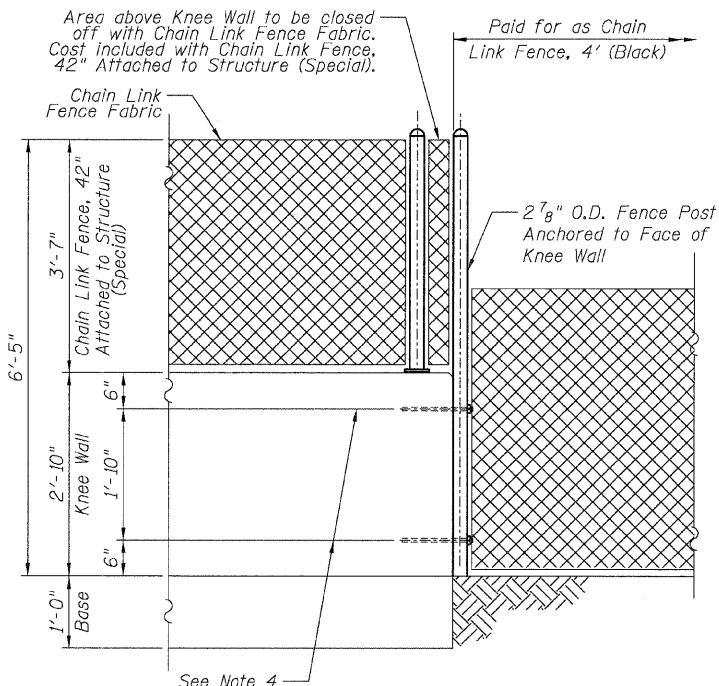
PLAN



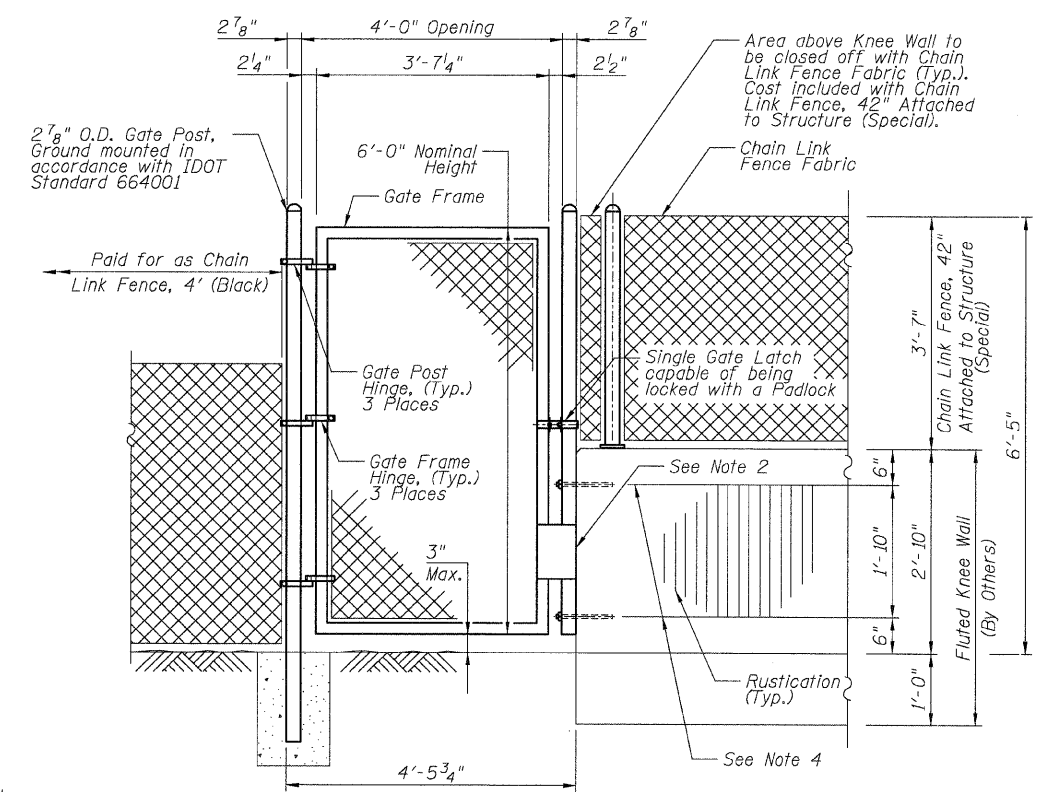
PLAN



6'x4' CHAIN LINK GATE AT KNEE WALL GAP



DETAIL A



6'x4' CHAIN LINK GATE AT END OF KNEE WALL

**NOTES:**

1. Drill and grout Chain Link J-Bolt Type Hinge in accordance with Art. 584 of the Std. Specs. J-Bolt shall be galvanized in accordance with Art. 1006.09 of the Std. Specs. Cost included with Chain Link Gates, 6'x4' Single.
2. Provide mechanism to prevent gate from opening toward frontage road. In addition, provide gate keepers to hold gate in open position. Cost included with Chain Link Gates, 6'x4' Single.
3. V.I.F. = Contractor to Verify in Field before ordering materials.
4. Contractor shall drill and grout 5/8" dia. anchor rods in accordance with Art. 584 of the Std. Specs. Provide hex nut and 1/4" dia. washer. Anchor rods, nuts and washers shall be galvanized in accordance with Art. 1006.09 of the Std. Specs. Embedment shall be according to manufacturer's specifications using HVA adhesive anchor system as manufactured by Hilti, Inc. or approved equal. Weld nuts to anchor rods after installation. Cost included with "Chain Link Fence, 42" Attached to Structure (Special)" or "Chain Link Gates, 6'x4' Single".

BOWMAN, BARRETT & ASSOCIATES INC.  
CONSULTING ENGINEERS  
Chicago, Illinois  
312.228.0100  
www.bbainc.com

REVISIONS	
NAME	DATE
REVISED	11/5/08

ILLINOIS DEPARTMENT OF TRANSPORTATION  
F.A.I. 94/90 (DAN RYAN EXPRESSWAY)  
SB FENCE AND GATES FROM 47TH PLACE TO 31ST ST  
CHAIN LINK FENCE & GATE DETAILS 1.  
SCALE: NTS  
DATE: 10/23/08  
DRAWN BY: TL  
CHECKED BY: BLU

1482843.PN 7/15/2008