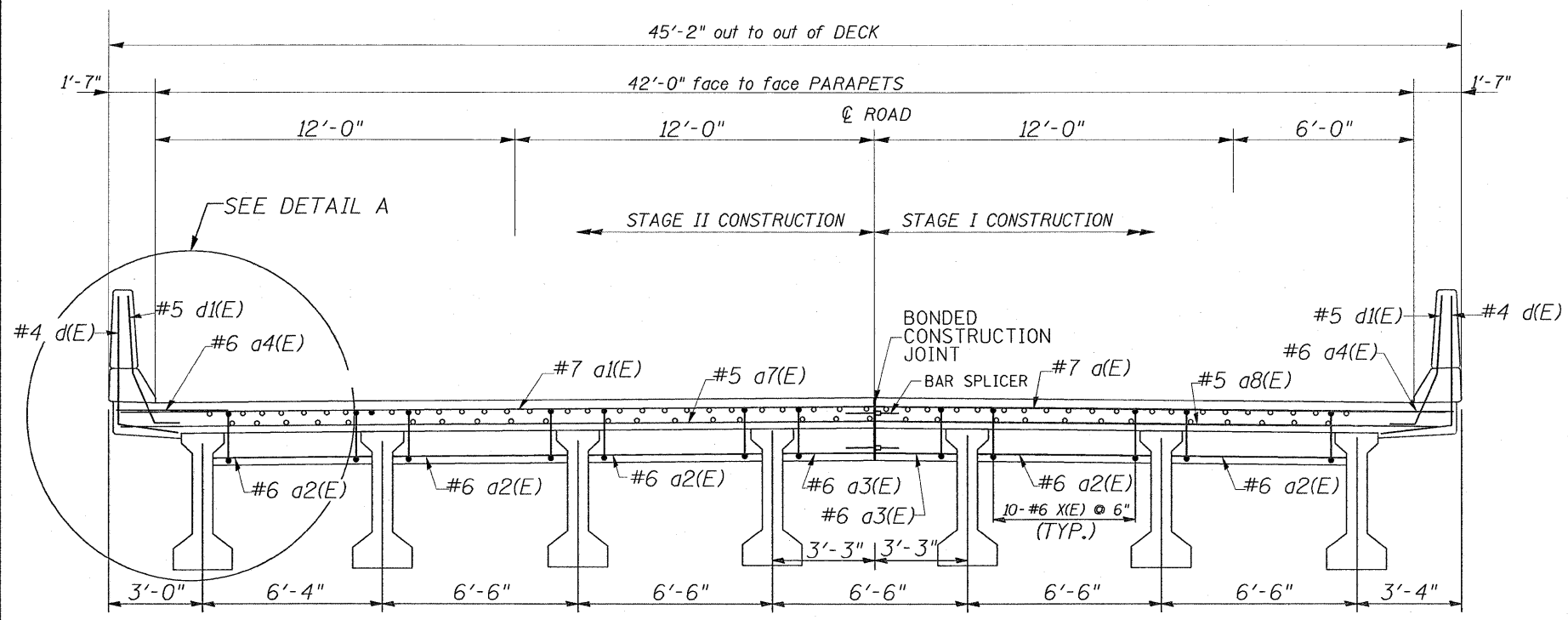
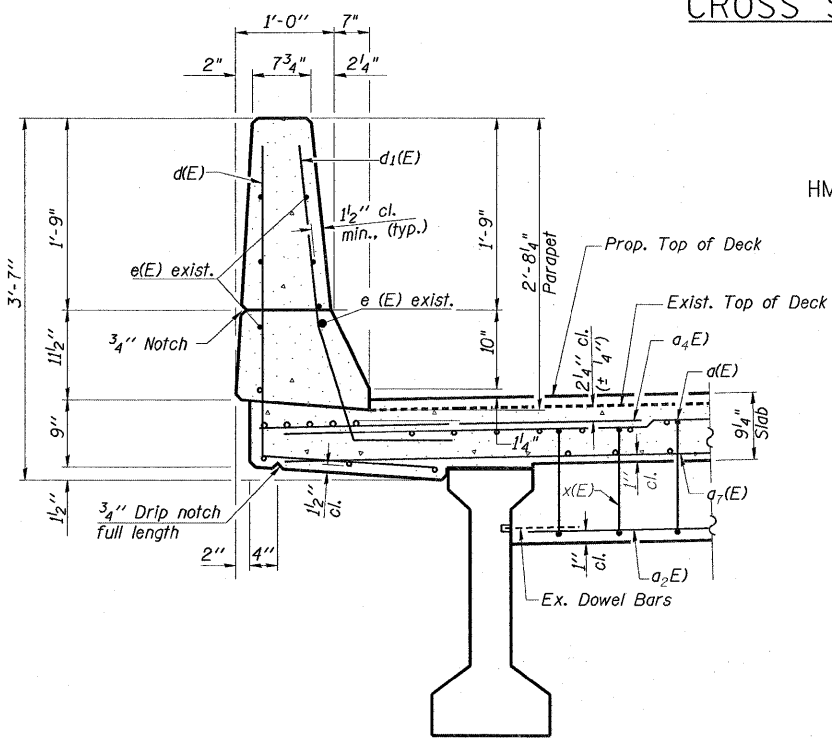


BAR LIST
SUPERSTRUCTURE

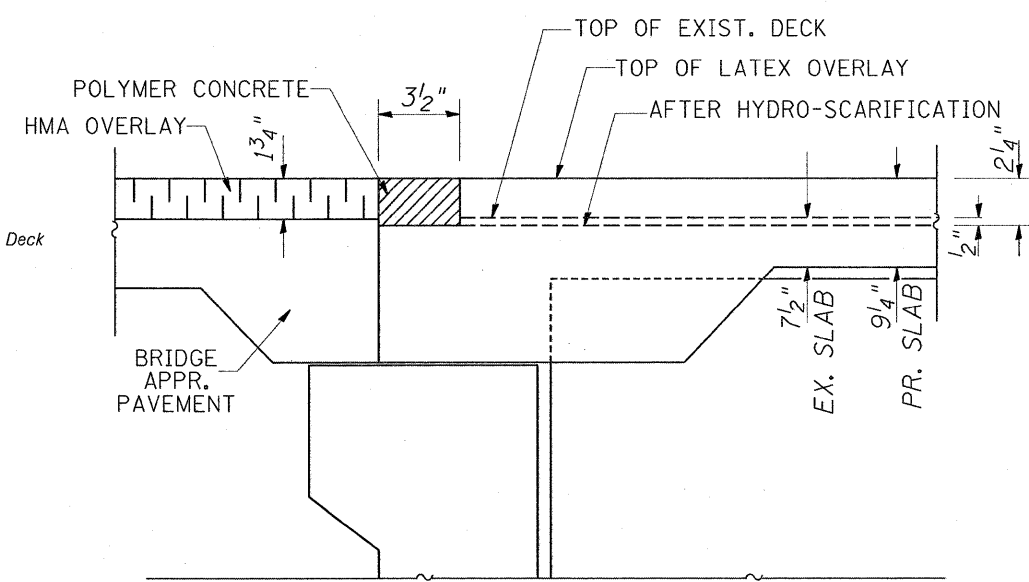
BAR	NO	SIZE	LENGTH	SHAPE
a(E)	60	#7	19'-4"	—
a1(E)	60	#7	25'-4"	—
a2(E)	300	#6	4'-10"	—
a3(E)	120	#6	2'-5"	—
a4(E)	144	#6	4'-0"	—
a5(E)	12	#5	25'-4"	—
a6(E)	12	#5	19'-4"	—
a7(E)	12	#5	25'-4"	—
a8(E)	12	#5	19'-4"	—
d(E)	96	#4	5'-2"	L
d1(E)	96	#5	3'-11"	J
x(E)	720	#6	6'-4"	□



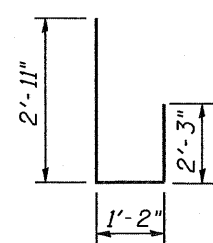
CROSS SECTION



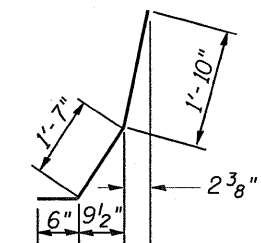
DETAIL A



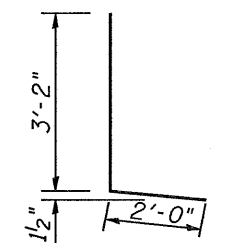
END OF DECK TREATMENT



BAR x(E)



BAR d1(E)



BAR d(E)