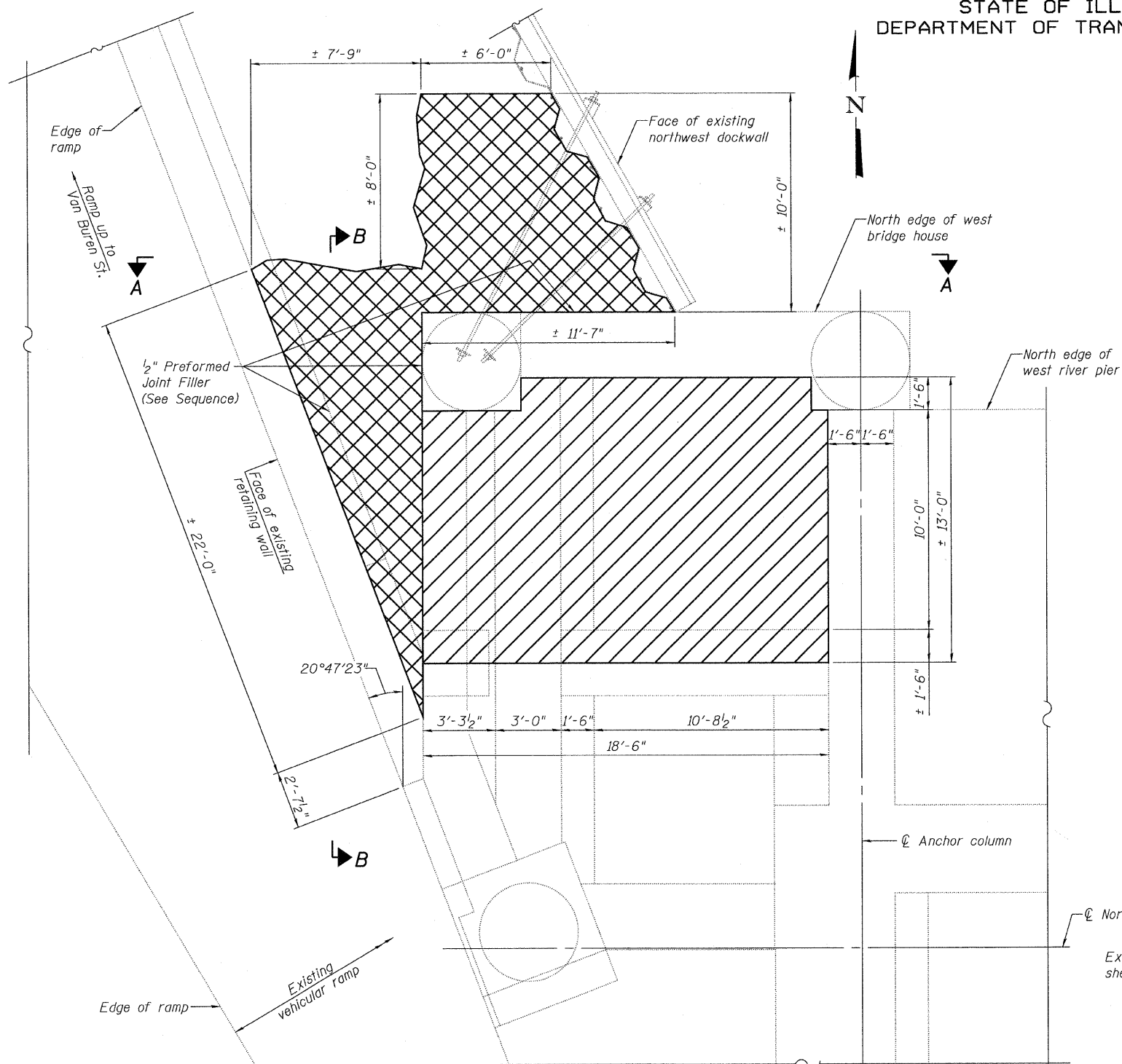


STATE OF ILLINOIS
DEPARTMENT OF TRANSPORTATION

ROUTE NO.	SECTION	COUNTY	TOTAL SHEETS	SHEET NO.	SHEET NO. 10
F.A.P. 389	2424.2 B-1	COOK	23	17	16 SHEETS
FED. ROAD DIST. NO. 7	ILLINOIS	FED. AID PROJECT-			

Contract No. 60E11



PLAN

SEQUENCE:

Based on the results of the preliminary environmental site assessment, no excavation is allowed in the sections indicated above. Only backfilling of the indicated areas will be allowed and the cross sections indicated above are for information only.

Remove and lawfully dispose of all construction debris, vegetation growth, and extraneous debris prior to pouring Class SC Concrete Seal Coat and placement of Porous Granular Embankment. Cost included with Porous Granular Embankment.

The existing ground shall be made level by grading and/or relocation of all loose and displaced materials prior to pouring Class SC Concrete Seal Coat as shown.

Prior to placing the Porous Granular Embankment, pour Class SC Concrete Seal Coat in accordance with Section 503 of the Standard Specifications. Provide a ½" preformed joint filler (PJF) along the perimeter of the existing bridge house and adjacent retaining wall foundation before pouring Class SC Concrete Seal Coat. Cost included with Porous Granular Embankment.

Fill in eroded section behind the northwest dockwall and under the west bridge house with Porous Granular Embankment as shown.

LEGEND



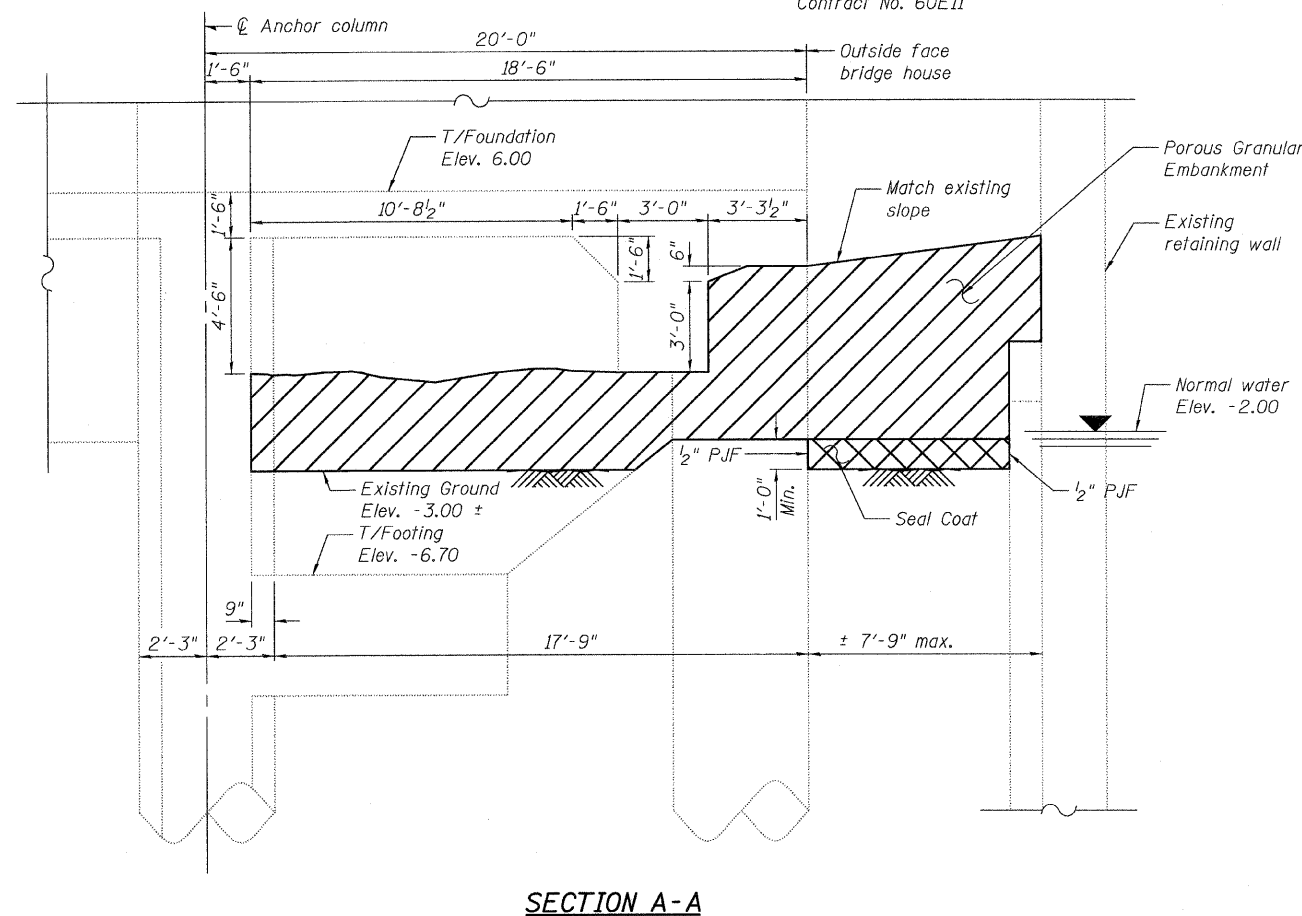
Porous Granular Embankment



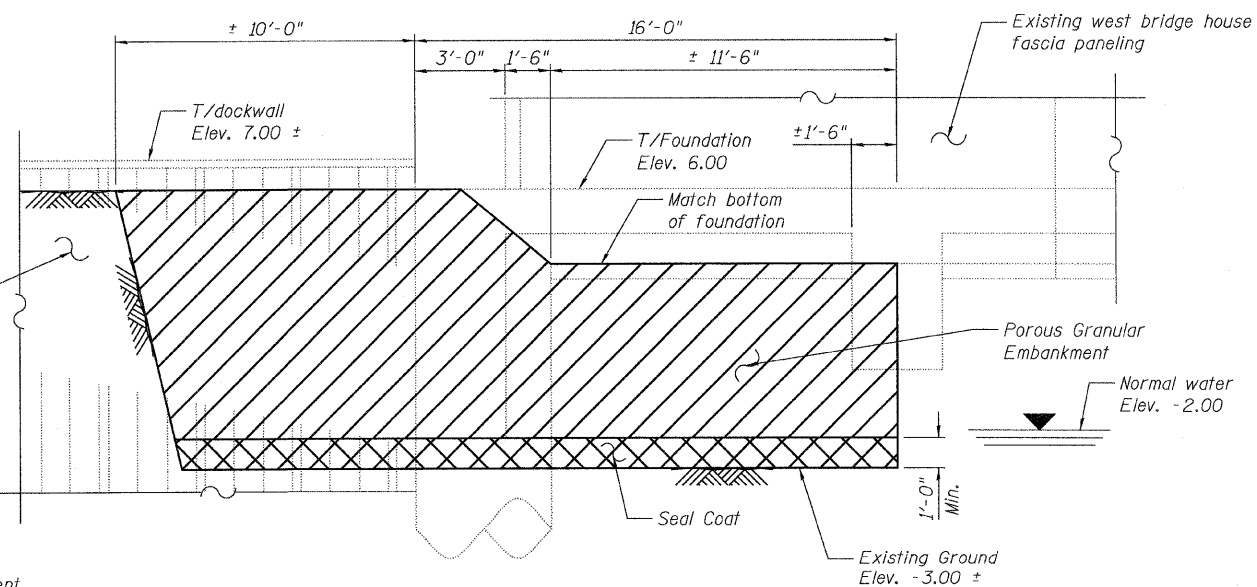
Porous Granular Embankment with Seal Coat.

BILL OF MATERIAL

Item	Unit	Total
Porous Granular Embankment	Cu. Yd.	88



SECTION A-A



SECTION B-B

DESIGNED	S. CHELBIAN
CHECKED	A. HAMMAD
DRAWN	S. CHELBIAN
CHECKED	A. HAMMAD



NORTHWEST DOCK WALL REPAIR
F.A.P. RT. 389 - SEC. 2424.2 B-1
COOK COUNTY
STATION 380+68.75
STRUCTURE NO. 016-2445