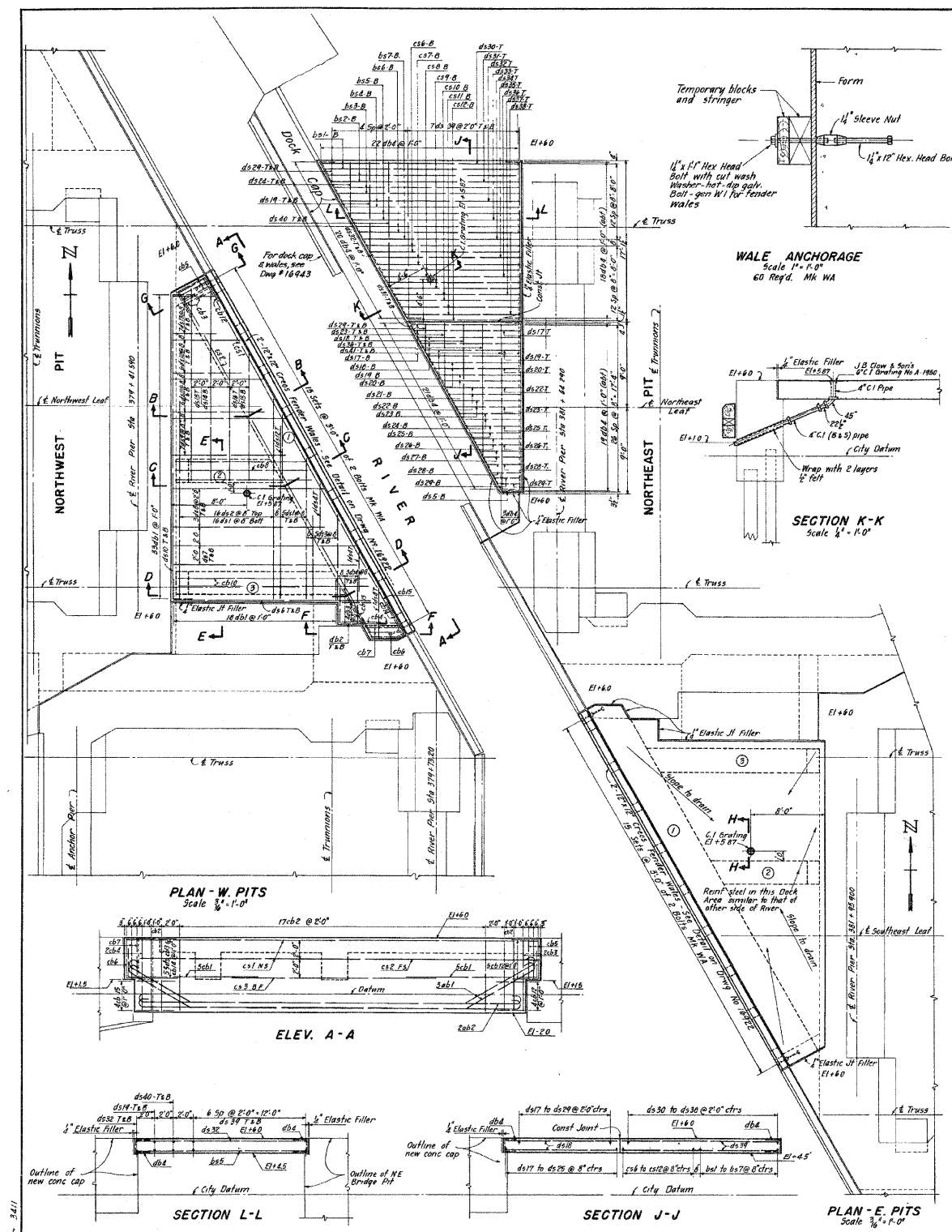


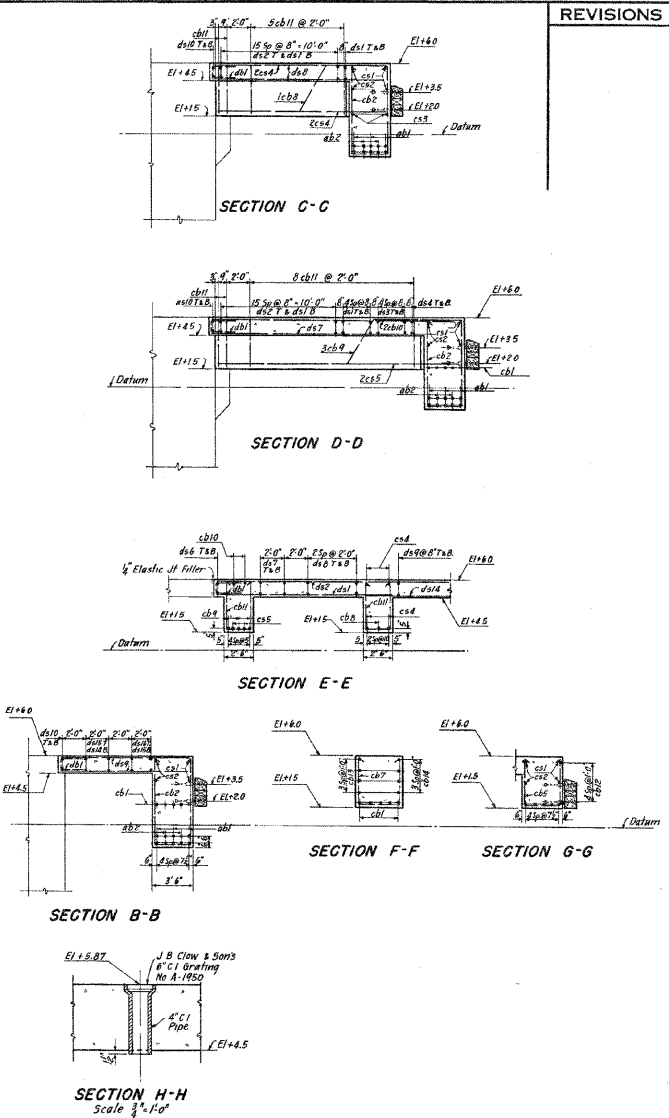
STATE OF ILLINOIS
DEPARTMENT OF TRANSPORTATION

ROUTE NO.	SECTION	COUNTY	TOTAL SHEETS	SHEET NO.
F.A.P. 389	2424.2 B-1	COOK	23	22
FED. ROAD DIST. NO. 7	ILLINOIS	FED. AID PROJECT		

Contract No. 60E11



BILL OF REINFORCING BARS BOTH SIDES OF RIVER				TYPES/BENT BARS				
MARK	NUMBER	LENGTH	TYPE	LOCATION				BENDING
				BEAM-1	BEAM-2	BEAM-3	SLAB	
ab1	12	47.4	12				0-10 4-1 7-0 27-9	
2	8	42.1	11	8			0-6 0-10 38-6	
bc1	2	21-6	5ft-f					
2	2	20-3						
3	2	19-6						
4	2	18-4						
5	2	18-0						
6	2	17-3						
7	1	16-9						
cd1	4	48-0	5ft-f					
2	4	42-0						
3	4	22-0						
4	4	14-0						
5	4	20-8						
6	2	18-3						
7	2	15-6						
8	2	14-4						
9	2	14-0						
10	2	13-3						
11	2	12-6						
12	1	12-0						
ce1	20	17-0	III	20			3-0 14-0	
2	42	16-6	IV	42			7-4 2-10	
3	4	17-8	IV	4			7-4 2-0	
4	4	18-2	IV	4			7-4 2-6	
5	6	11-6	IV	6			3-10 2-10	
6	2	10-8	IV	2			3-10 3-0	
7	4	10-0	IV	4			3-0 3-4	
8	2	16-8	V	2			7-0 2-3 5-3 3-10	
9	6	27-5	V	6			11-0 2-3 7-3 3-10	
10	4	21-1	VI	4			0-6 0-6 14-0	
11	24	11-0	IV	24			4-0 2-0	
12	18	9-0	VII	18			3-0 3-0	
13	10	7-4	VIII	10			4-0 1-2 2-1 1-0	
14	10	3-0	III	10			4-0 1-0	
15	8	11-5	IX	8			4-0 1-8 3-0	
de1	32	15-0	5ft-f					
2	32	21-6						
3	20	9-0						
4	10	5-0						
5	1	2-3						
6	4	21-0						
7	8	14-3						
8	12	16-0						
9	28	12-0						
10	4	32-0						
11	24	8-4						
12	26	7-3						
13	28	2-9						
14	4	20-0						
15	8	14-0						
16	4	1-0						
17	8	11-6						
18	4	10-6						
19	5	6-9						
20	3	6-5						
21	2	6-6						
22	3	6-0						
23	5	7-0						
24	4	4-3						
25	3	5-6						
26	3	5-0						
27	2	15-3						
28	3	3-6						
29	6	2-9						
30	1	21-3						
31	3	20-3						
32	3	14-0						
33	1	18-0						
34	1	17-0						
35	1	19-9						
36	3	16-6						
37	1	13-2						
38	1	12-6						
39	14	16-9						
40	2	13-6						
41	4	17-6						
df1	102	5-2	VII				2-0 1-2	
2	4	9-0	III				4-6 4-6	
3	8	10-0	VII				4-6 1-0	
4	103	4-2	VII				1-6 1-2	



REVISIONS

NOTES:
For details of West Pits see
Drwg Nos. 16914 to 16922 incl
For details of East Pits see
Drwg Nos 16930 to 16933 incl
For details of new dock at
N.E. Pit see Drwg No 16943
Corrected: *[Signature]*
Approved: *[Signature]*
Approved: *[Signature]*
Approved: *[Signature]*



CITY OF CHICAGO
DEPARTMENT OF PUBLIC WORKS
BUREAU OF ENGINEERING
DIVISION OF BRIDGES AND VIADUCTS
Four-leaf Trunnion Bascule Bridge
WEST CONGRESS STREET
OVER THE
SOUTH BRANCH—CHICAGO RIVER
SUBSTRUCTURE

DOCK SLABS & APRONS AT NW, SE & NE. PITS.

Scale: 3/4" = 1'-0" As Noted	June, 1949
Drawn by: <i>[Signature]</i>	DRWG. 16942
Checked by: <i>[Signature]</i>	25 OF 29
In Charge of <i>[Signature]</i>	FILE No. 1-10F.31

1624450044

117D Per 228

FOR INFORMATION ONLY

G:\16943\A\Delphin\Cadd\Perfinal\0162445-60E11-015-EX3.dgn
15-OCT-2008 12:28