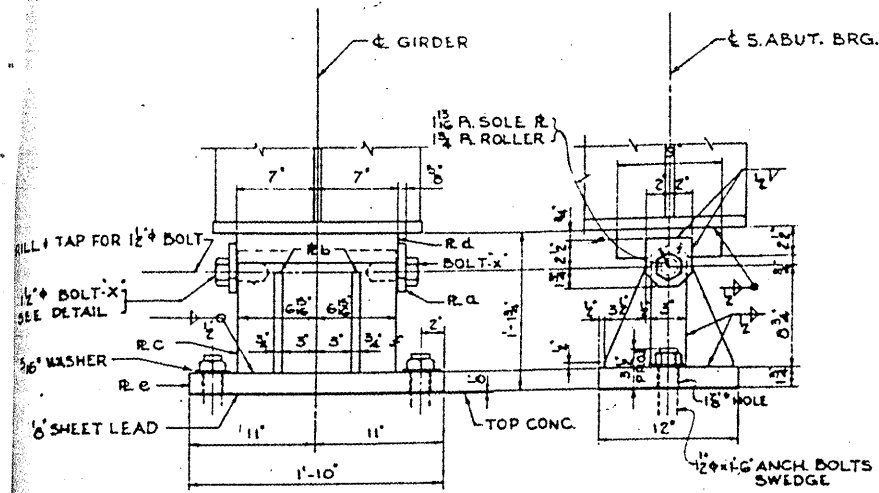


ROUTE VARIOUS	SECTION 2008-051 BP	COUNTY COOK	TOTAL SHEETS 38	SHEET NUMBER 28A
------------------	------------------------	----------------	-----------------------	------------------------

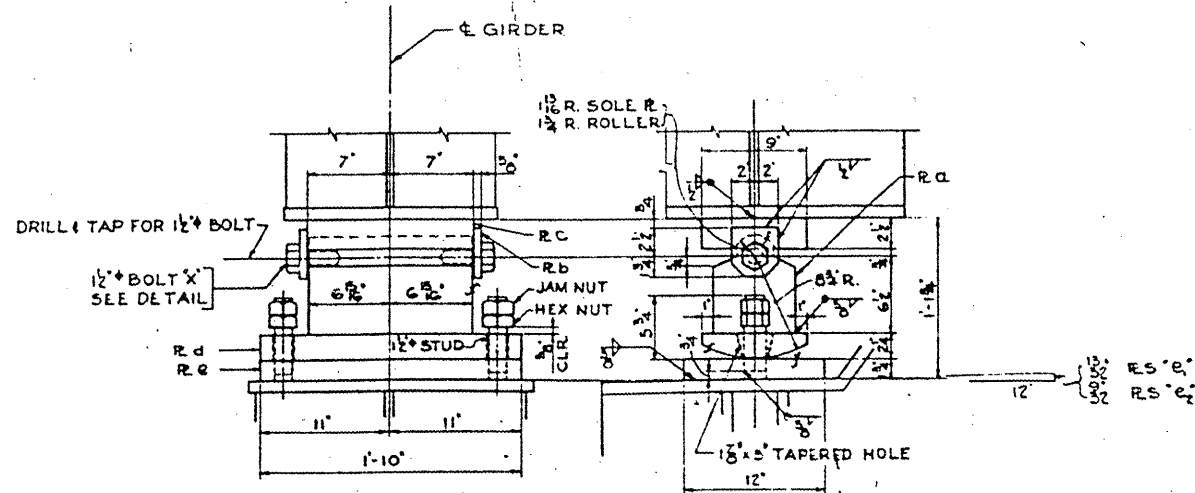
CONTRACT NO. 60F02



FIXED BEARING - TYPE 'A' - (10 REQ'D)

AT SOUTH ABUTMENT
SCALE: 1/2" = 1'-0"

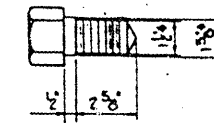
- MATERIAL
- 2- R. A. - 4" x 5" x 4 1/2"
 - 4- R. B. - 4" x 3 1/2" x 5 1/2"
 - 1- R. C. - 10 1/2" x 3" x 1-1 1/8"
 - 1- R. D. - 9" x 2 1/2" x 1-2"
 - 1- R. E. - 12" x 1 1/2" x 1-10"
 - 2- SWEDGE A. B. 1 1/2" x 1'-6"
 - 2- BOLTS - X
 - 2- WASHERS - 3" x 3" x 5/16"



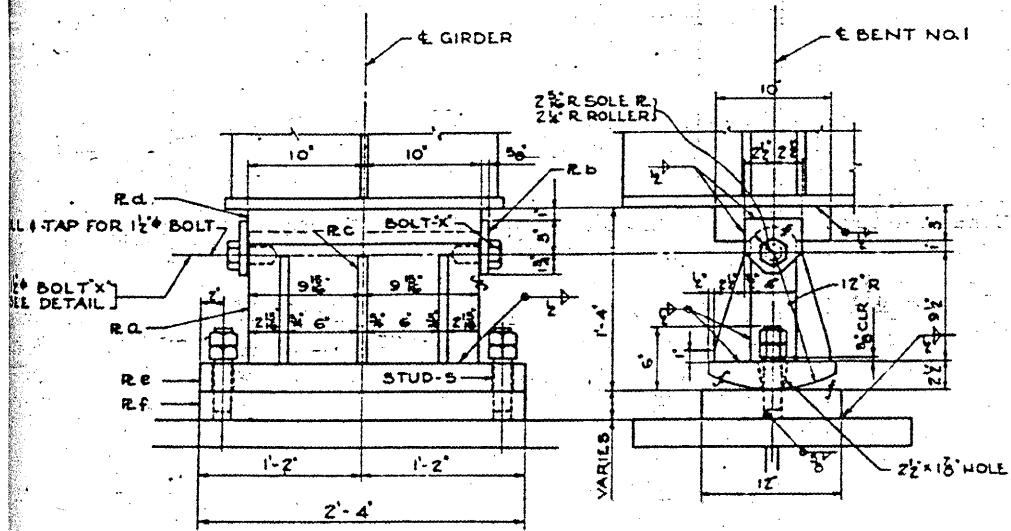
EXPANSION BEARING - TYPE 'B' - (10 REQ'D)

AT BENT NO. 1
SCALE: 1/2" = 1'-0"

- MATERIAL
- 1- R. A. - 8 1/4" x 7" x 1-1 1/8"
 - 2- R. B. - 4" x 3 1/2" x 4 1/2"
 - 1- R. C. - 9" x 2 1/2" x 1-2"
 - 1- R. D. - 9" x 2 1/2" x 1-10"
 - 1- R. E. - SEE TABLE
 - 2- STUDS 1 1/2" x 6 1/2"
 - 2- BOLTS - X
- R. S. 'E'
- 5- R. S. 'E' 12" x 1 1/2" x 1'-10" FOR GIRDERS - G4, G5, G6
 - 5- R. S. 'E' 12" x 1 1/2" x 1'-10" FOR GIRDERS - G10, G11, G12



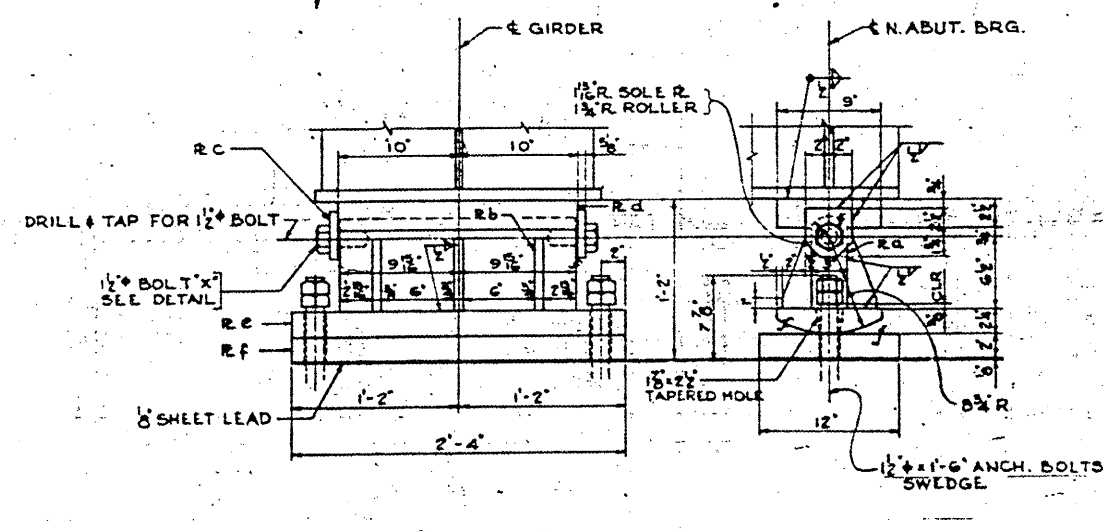
DETAIL BOLT 'X'
3" x 1'-0"



EXPANSION BEARING - TYPE 'C' - (10 REQ'D)

AT BENT NO. 1
SCALE: 1/2" = 1'-0"

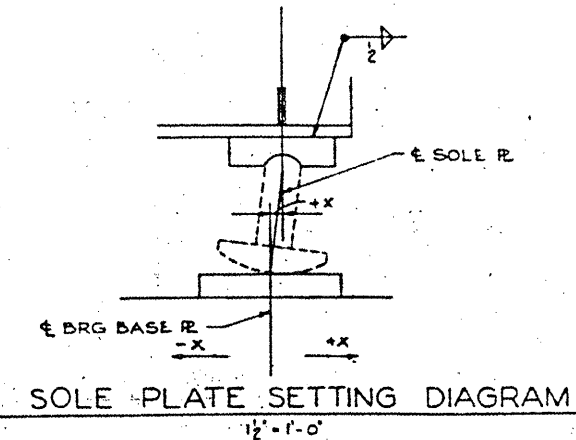
- MATERIAL
- 1- R. A. - 11 1/2" x 4" x 1-7/8"
 - 2- R. B. - 5" x 3 1/2" x 4 1/2"
 - 6- R. C. - 3" x 3" x 9 1/2"
 - 1- R. D. - 10" x 3" x 1'-8"
 - 1- R. E. - 11" x 2 1/2" x 2'-4"
 - 1- R. F. - SEE TABLE
 - 2- STUDS - S SEE TABLE
 - 2- BOLTS - X
- R. S. 'F'
- 2- R. S. 'F' 12" x 5 1/2" x 2'-4"
 - 2- R. S. 'F' 12" x 6" x 2'-4"
 - 2- R. S. 'F' 12" x 4 1/2" x 2'-4"
 - 2- R. S. 'F' 12" x 2 1/2" x 2'-4"
 - 2- R. S. 'F' 12" x 1 1/2" x 2'-4"
- STUDS 'S'
- 4- STUDS 'S1' 1 1/2" x 11"
 - 4- STUDS 'S2' 1 1/2" x 11 1/4"
 - 4- STUDS 'S3' 1 1/2" x 9 3/8"
 - 4- STUDS 'S4' 1 1/2" x 8"
 - 4- STUDS 'S5' 1 1/2" x 6 1/2"



EXPANSION BEARING - TYPE 'D' - (10 REQ'D)

AT NORTH ABUTMENT
SCALE: 1/2" = 1'-0"

- MATERIAL
- 1- R. A. - 8 1/4" x 3" x 1-7/8"
 - 6- R. B. - 2 1/2" x 3 1/2" x 6 1/2"
 - 2- R. C. - 4" x 3 1/2" x 4 1/2"
 - 1- R. D. - 9" x 2 1/2" x 1'-8"
 - 1- R. E. - 9" x 2 1/2" x 2'-4"
 - 1- R. F. - 12" x 2" x 2'-4"
 - 2- SWEDGE A. B. 1 1/2" x 1'-6"
 - 2- BOLTS - X



SOLE PLATE SETTING DIAGRAM
1/2" = 1'-0"

DIMENSION 'X'					
TEMPERATURE	10°	30°	50°	70°	90°
BEARING 'B'	-1/8" S	-1/2" S	0	+1/2" N	+1 1/2" N
BEARING 'C'	-5/8" N	-5/16" N	0	+5/16" S	+5/8" S
BEARING 'D'	-5/8" S	-5/16" S	0	+5/16" N	+5/8" N

TOTAL ESTIMATED WEIGHT OF BEARINGS
FILL PLATES AND ANCHOR BOLTS = 28,100 LBS.

'N' & 'S' DESIGNATE MOVEMENT NORTH OR SOUTH OF THE SOLE PLATE WITH REFERENCE TO THE E OF THE BEARING BASE PLATE. NOTE: FOR BEARING 'B' THIS DESIGNATION REFERS TO THE MOVEMENT OF THE SOLE PLATE OF BEARING 'B' WITH RESPECT TO THE BASE PLATE OF BRG. 'B'.

LOCATION NO. 5

**EXIST. BRIDGE PLANS
MILWAUKEE AVE. OVER
I-90/94 SN 016-2045**