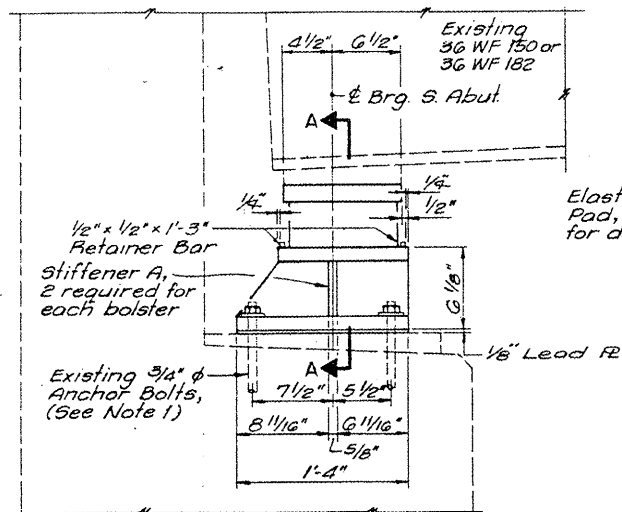
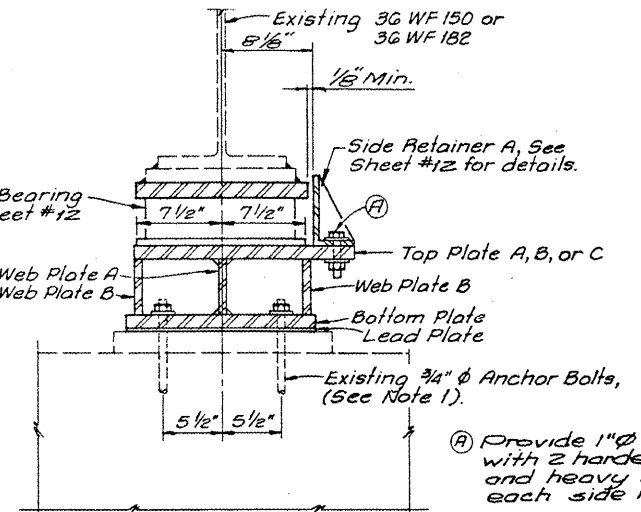


ROUTE VARIOUS	SECTION 2008-051 BP	COUNTY COOK	TOTAL SHEETS 38	SHEET NUMBER 30A
------------------	------------------------	----------------	--------------------	---------------------

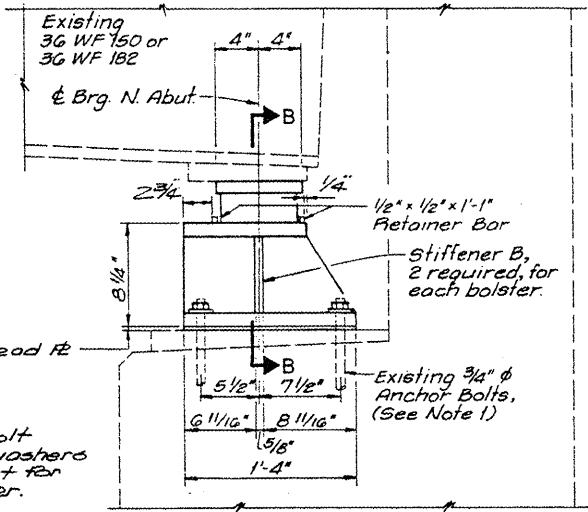
CONTRACT NO. 60F02



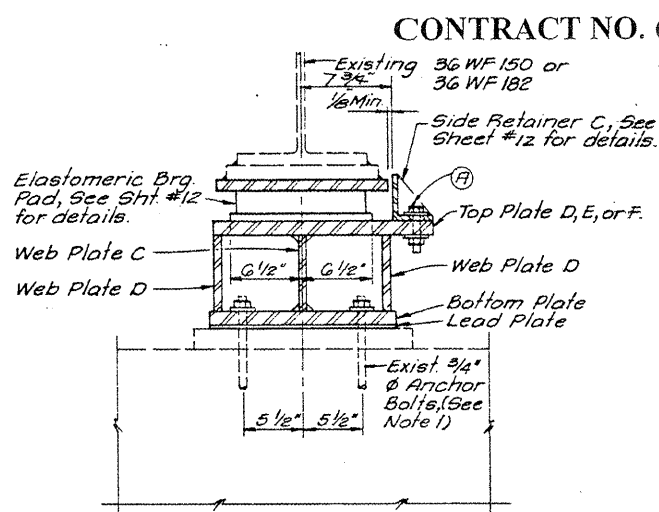
**ELEVATION**  
See Detail "B" for welds  
16 Bolsters Required  
(Shown without Side Retainer & Web Plate B)



**SECTION A-A**  
See Detail "A" for welds  
(Shown with Top Plate A)



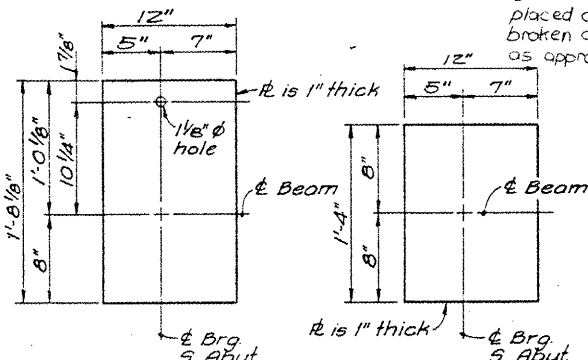
**ELEVATION**  
See Detail "D" for welds  
16 Bolsters Required  
(Shown without Side Retainer & Web Plate D)



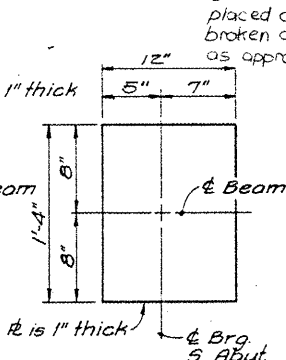
**SECTION B-B**  
See Detail "C" for welds  
(Shown with Top Plate F)

Note 1:  
Provide new nut & hardened washer for each anchor bolt. See Detail "A" for welds (Shown with Top Plate A)  
Cut and Thread Existing Bolts for 2 1/2 min. Projection.  
If bolt cannot be rethreaded in lieu of nut, a 1 1/4" x 1" Th collar may be placed over exist bolt and welded to bolt. If bolts are broken or severely deteriorated they shall be replaced as approved by the Eng. (cost of this work is incidental)

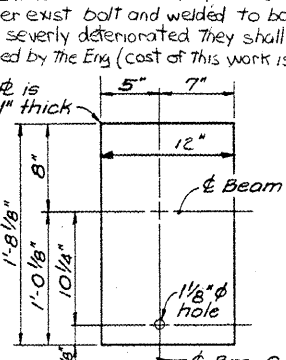
(A) Provide 1" H.S. bolt with 2 hardened washers and heavy hex nut for each side retainer.



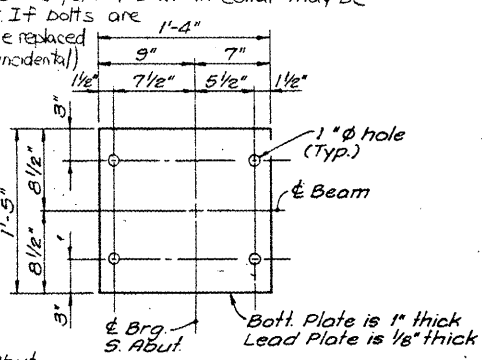
**TOP PLATE A**  
1 Each Required for Bm. #1 & Bm. #9



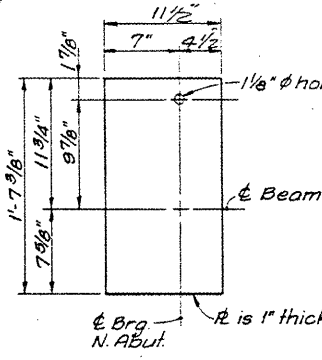
**TOP PLATE B**  
1 Each Required for Beams #2 thru #7 & Beams #10 thru #15



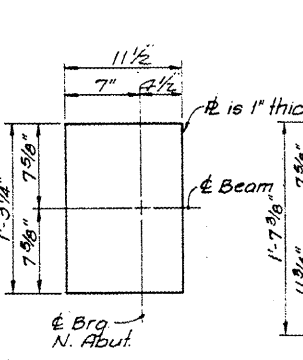
**TOP PLATE C**  
1 Each Required for Bm. #8 & Bm. #16



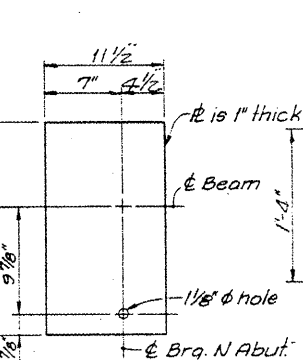
**BOTTOM PLATE & LEAD PLATE**  
1 Bottom R & 1 Lead R Required for Each Bolster



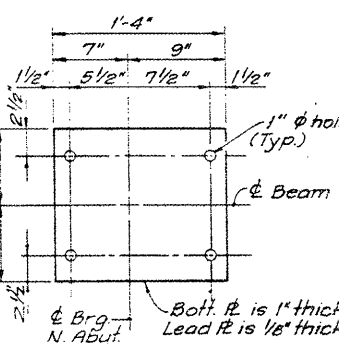
**TOP PLATE D**  
1 Each Required for Bm. #1 & Bm. #9



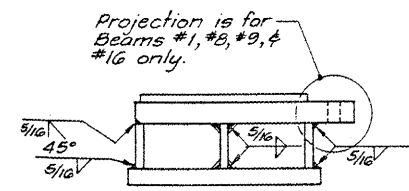
**TOP PLATE E**  
1 Each Required for Beams #2 thru #7 & Beams #10 thru #15



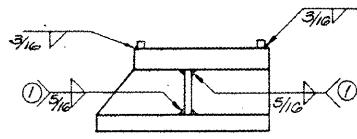
**TOP PLATE F**  
1 Each Required for Bm. #8 & Bm. #16



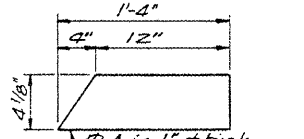
**BOTTOM PLATE & LEAD PLATE**  
1 Bottom R & 1 Lead R Required for Each Bolster



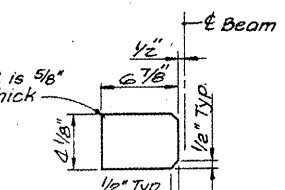
**DETAIL "A"**  
(Shown with Top Plate A)



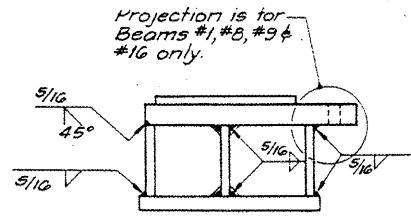
**DETAIL "B"**  
(Shown w/o Side Retainer & Web Plate B)



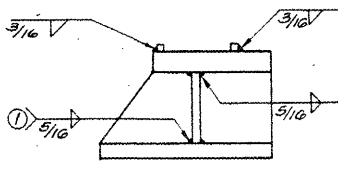
**WEB PLATES A & B**  
1 Web Plate A & 2 Web Plates B Required for each Bolster



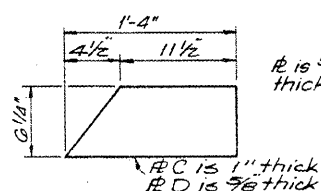
**STIFFENER A**  
2 Stiffeners Required for each Bolster



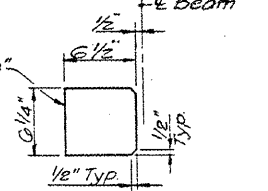
**DETAIL "C"**  
(Shown with Top Plate F)



**DETAIL "D"**  
Typical for both Stiffeners (Shown w/o Side Retainer & Web Plate D)



**WEB PLATES C & D**  
1 Web Plate C & 2 Web Plates D Required for each Bolster



**STIFFENER B**  
2 Stiffeners Required for each Bolster

**NORTH ABUTMENT BOLSTER DETAILS**

**SOUTH ABUTMENT BOLSTER DETAILS**

**LOCATION NO.6**

**EXIST. BRIDGE PLANS**

**IL-50 OVER I-290**

**SN 016-0406**