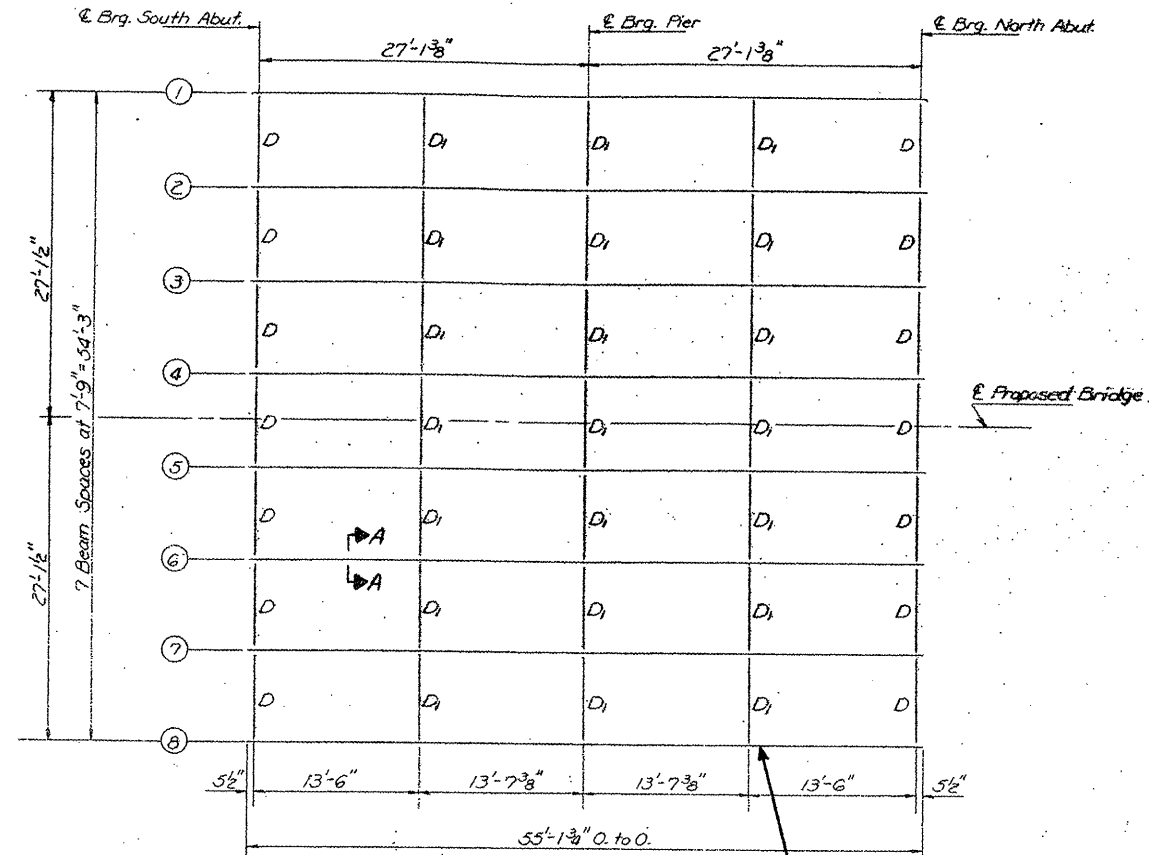
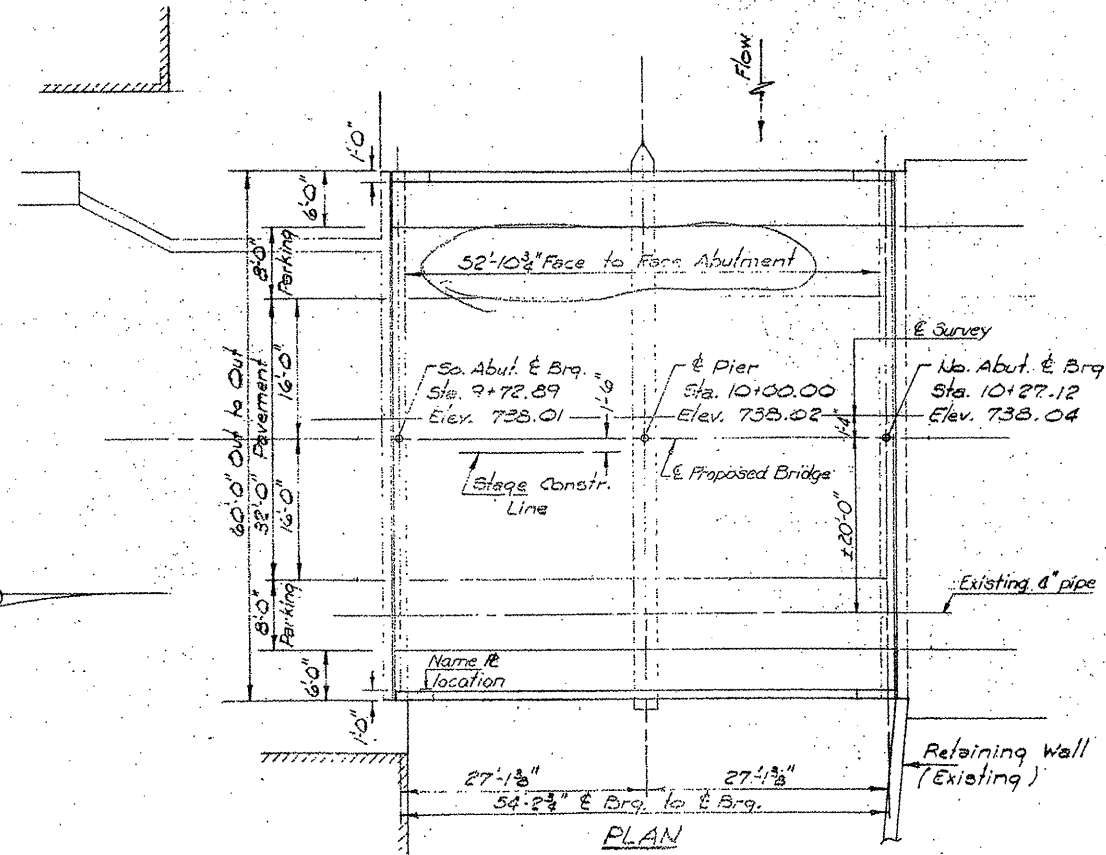
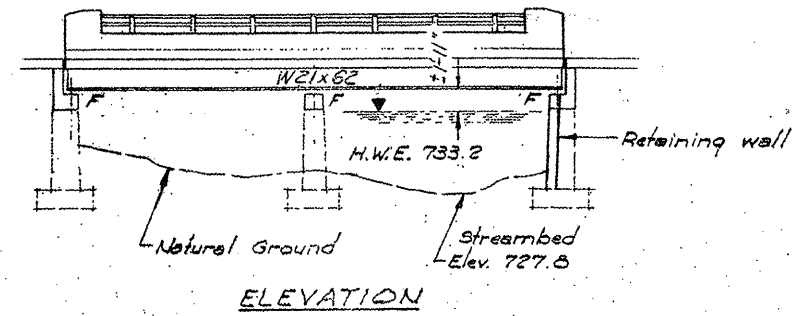


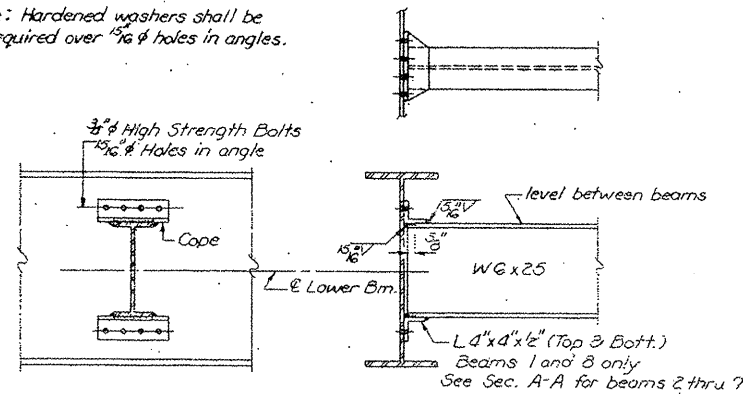
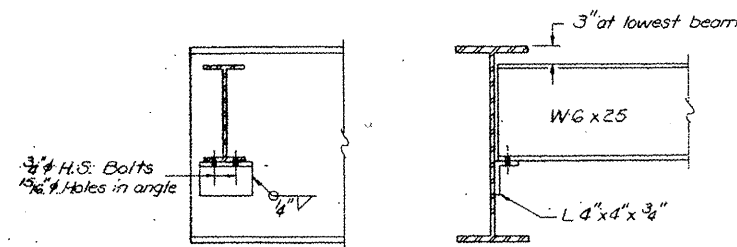
ROUTE VARIOUS	SECTION 2008-053 BP	COUNTY VARIOUS	TOTAL SHEETS 69	SHEET NUMBER 21
------------------	------------------------	-------------------	-----------------------	-----------------------

CONTRACT NO. 60F04



NOTE:
ALL EXISTING STRUCTURAL STEEL IS COR-TEN WEATHERING STEEL

Note: Hardened washers shall be required over 1/16" holes in angles.



LOCATION NO. 1
EXIST. BRIDGE PLANS
IL 31 OVER CRYSTAL LAKE
OVERFLOW SN 056-0015