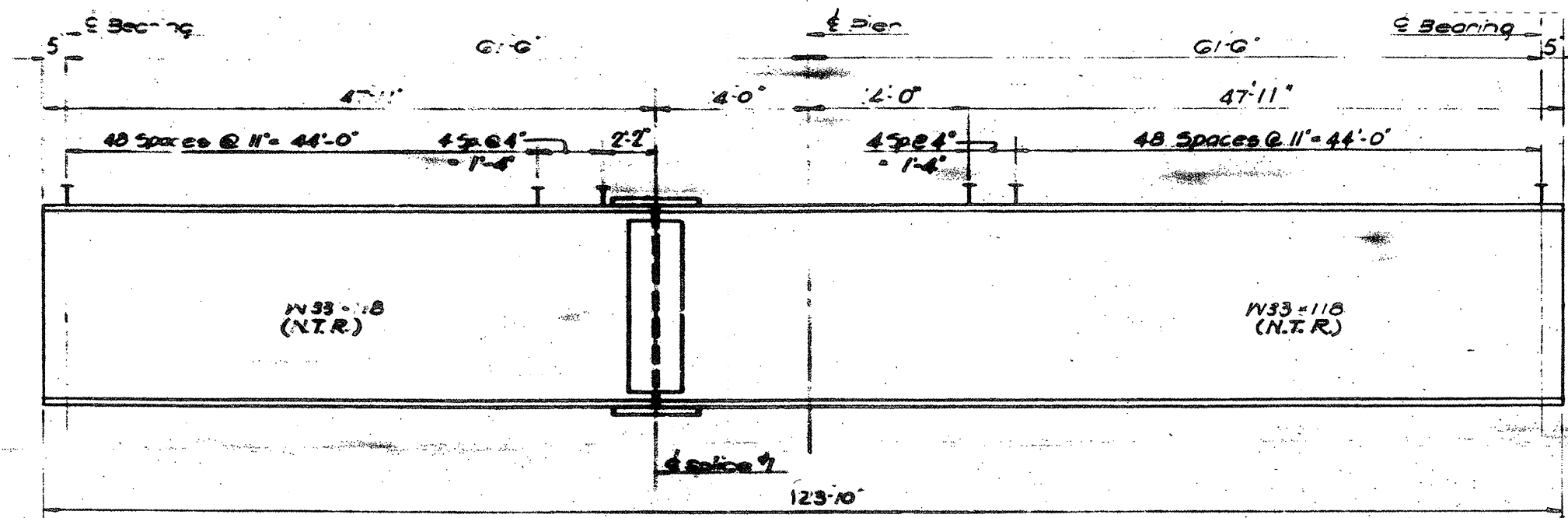


ROUTE VARIOUS	SECTION 2008-053 BP	COUNTY VARIOUS	TOTAL SHEETS 69	SHEET NUMBER 34
------------------	------------------------	-------------------	--------------------	--------------------

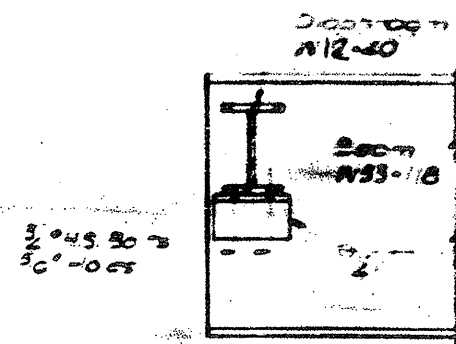
CONTRACT NO. 60F04



TYPICAL BEAM ELEVATION

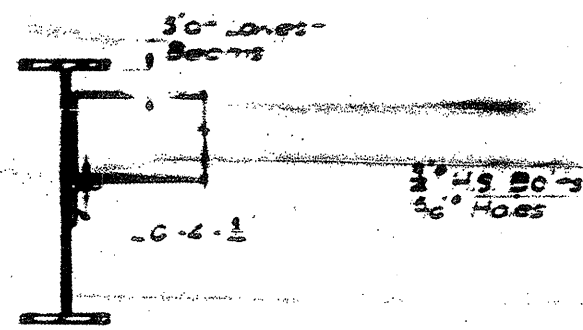
N.T.R. Denotes: Notch Toughness Requirement

NOTE: See sheet # 12 for Splice Detail



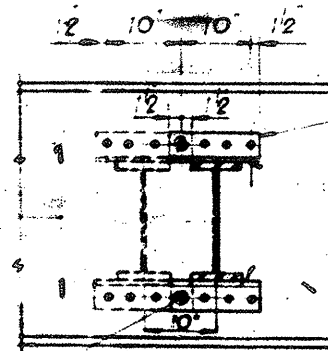
SECTION

DIAPHRAGM D



ELEVATION

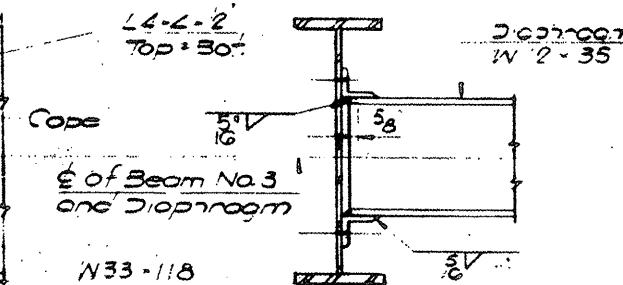
Place cracked bolts on Bm # 6 (const. line) when Stage II diaph. are placed.



SECTION

@ Interior Beam

DIAPHRAGM DI



ELEVATION

LOCATION NO. 6

EXIST. BRIDGE PLANS
IL 38 OVER W. BR. DUPAGE
RIVER SN 022-0022