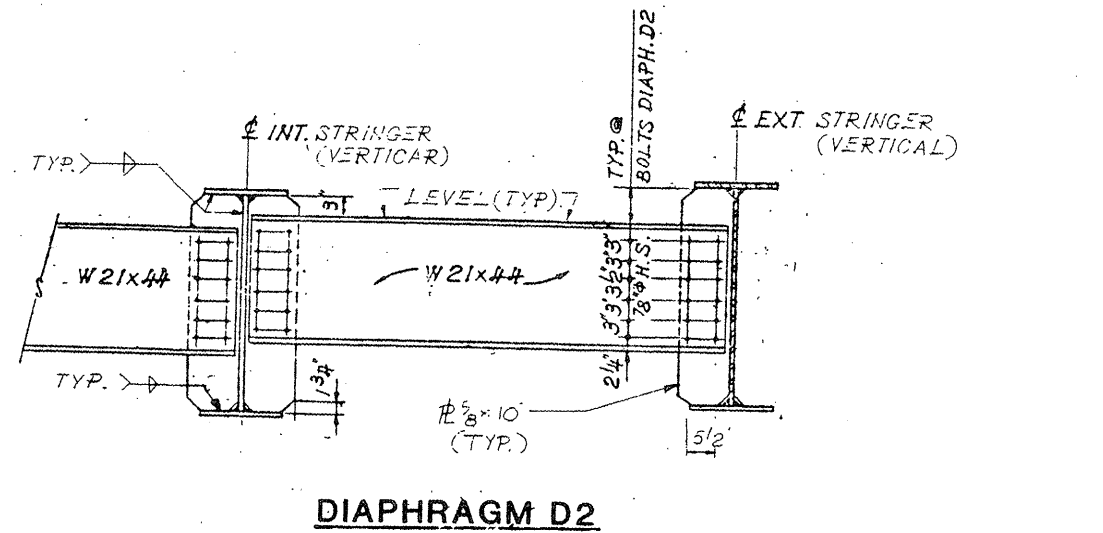
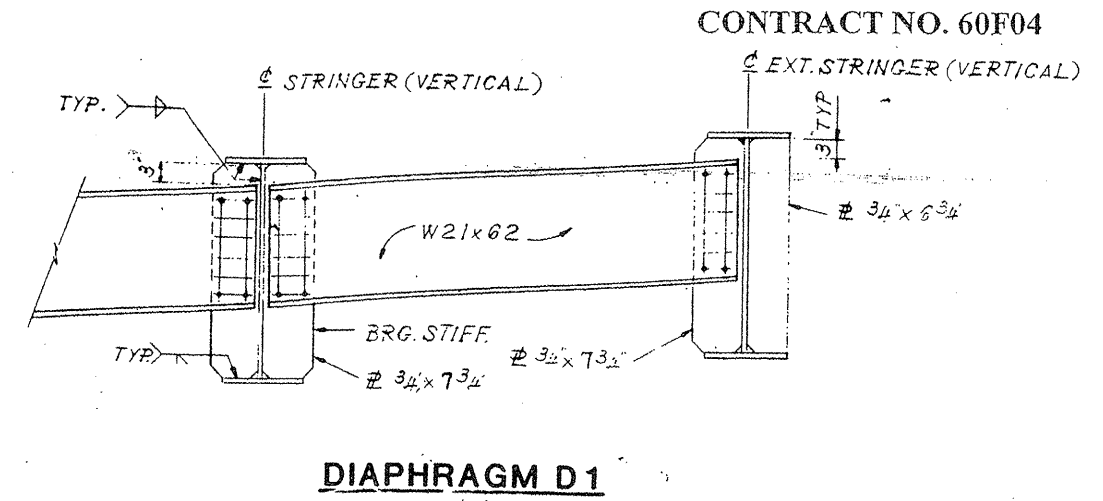
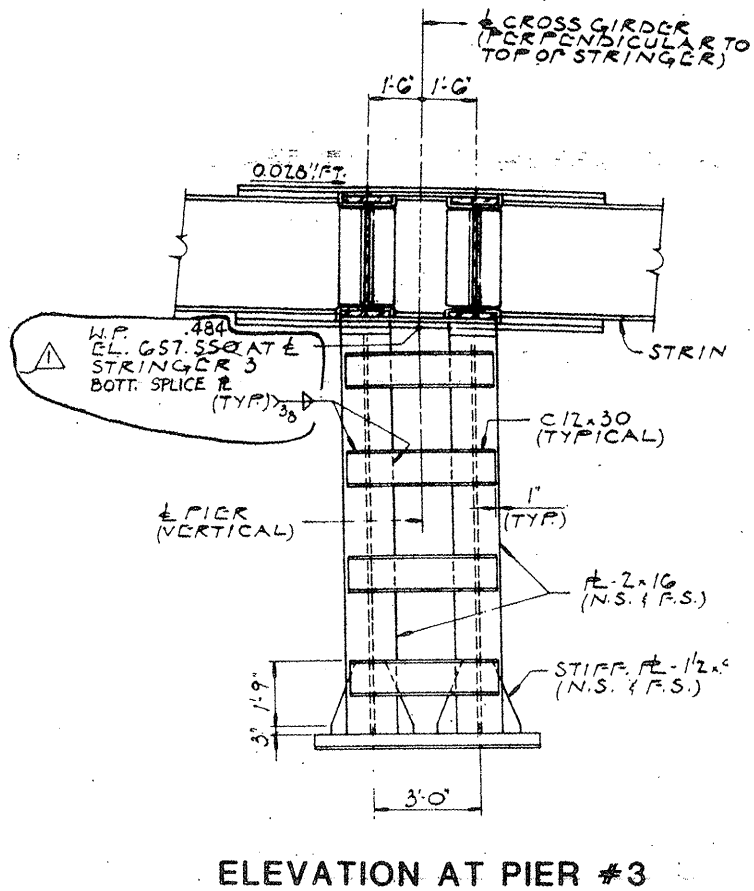
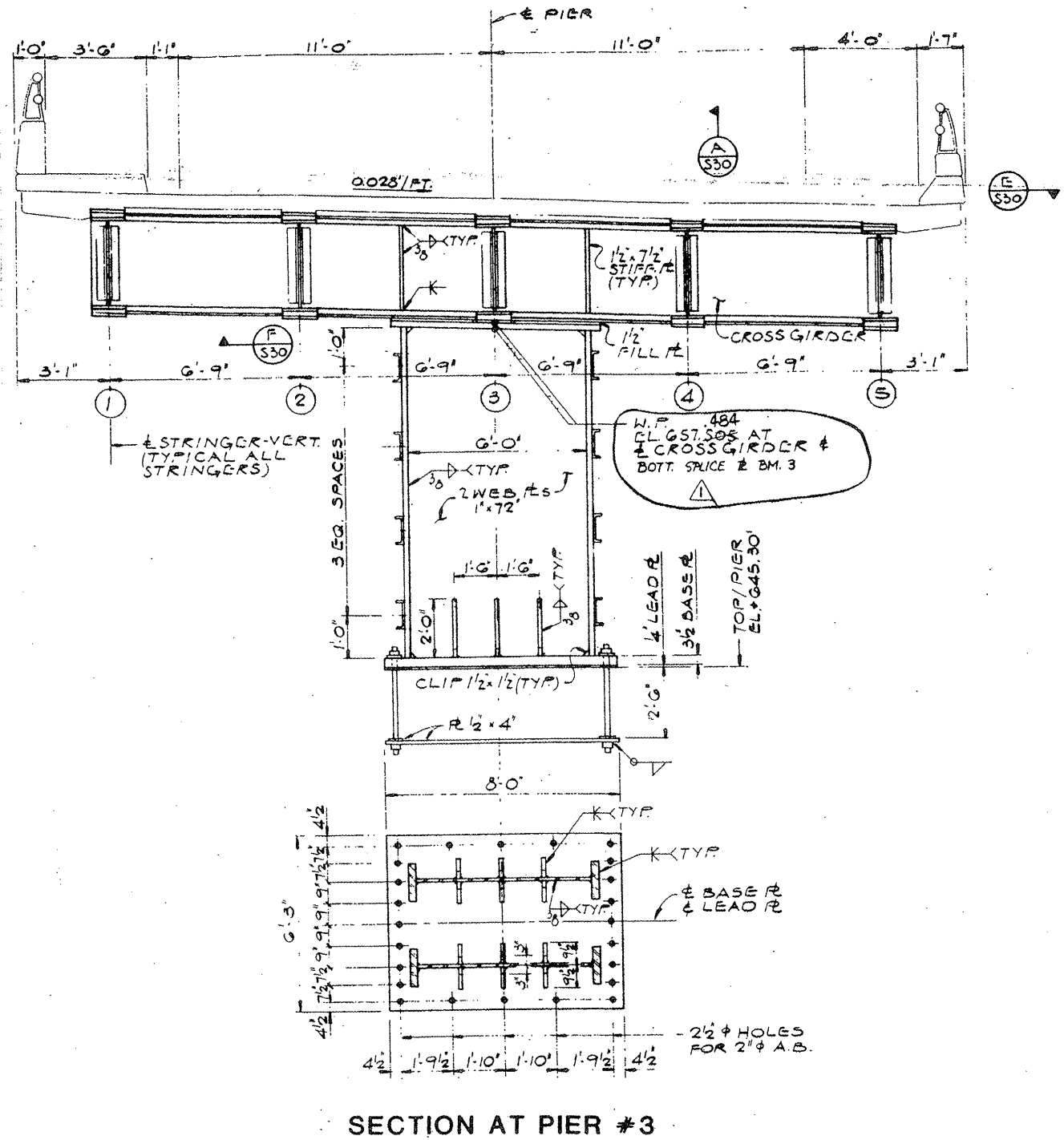


ROUTE VARIOUS	SECTION 2008-053 BP	COUNTY VARIOUS	TOTAL SHEETS 69	SHEET NUMBER 58
------------------	------------------------	-------------------	--------------------	--------------------



LOCATION NO. 12

**EXIST. BRIDGE PLANS
IL 72 WB OVER EB I-90 RAMP
TO IL 43 SN 016-2519**