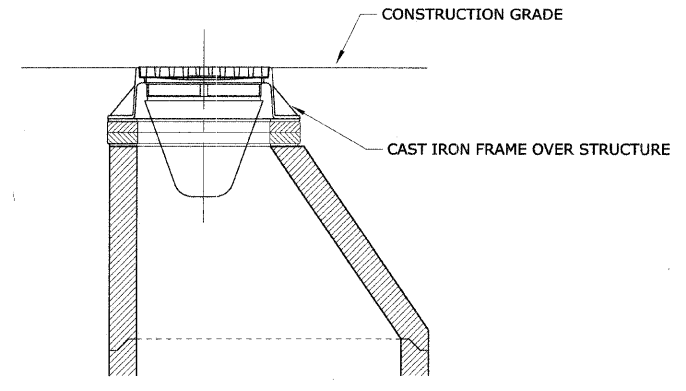
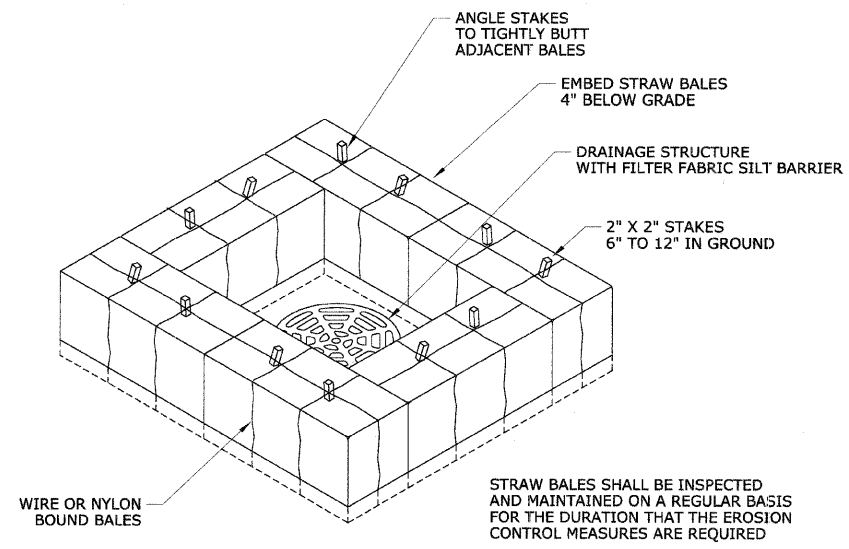


CONTRACT No. 63007



INLET FILTER INSTALLATION DETAIL

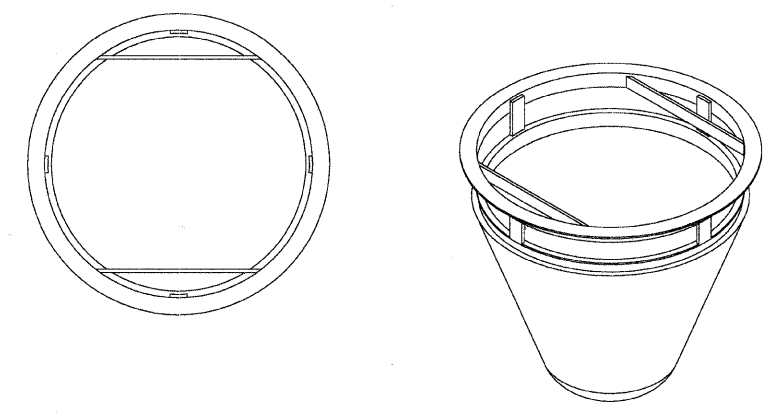


STRAW BALE SURROUND DETAIL

STABILIZATION TYPE	JAN	FEB	MAR	APR	MAY	JUN	JUL	AUG	SEP	OCT	NOV	DEC
PERMANENT SEEDING			A			*	*					
DORMANT SEEDING	B										B	
TEMPORARY SEEDING			C			*	D*					
SODDING			E**									
MULCHING	F											

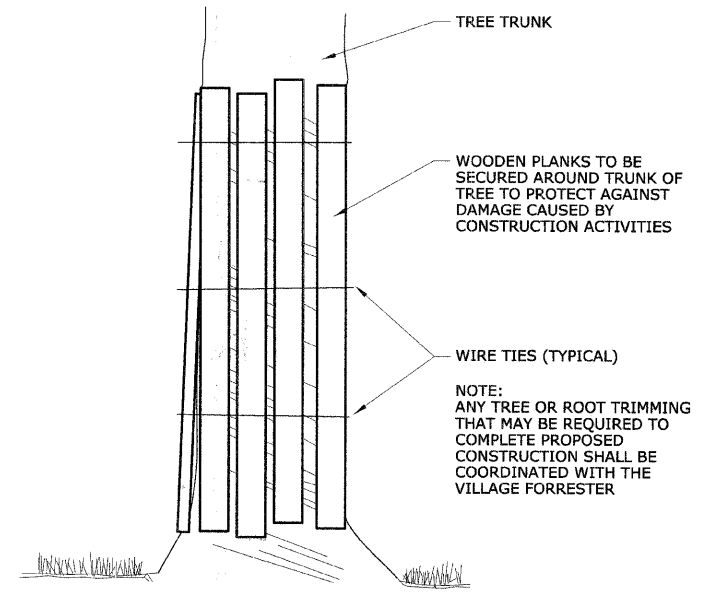
- A. KENTUCKY BLUEGRASS 90 LBS/AC MIXED WITH PERENNIAL RYEGRASS 30 LBS/AC
 - B. KENTUCKY BLUEGRASS 135 LBS/AC MIXED WITH PERENNIAL RYEGRASS 45 LBS/AC + 2 TONS STRAW MULCH/AC
 - C. SPRING OATS 100 LBS/AC
 - D. WHEAT OR CEREAL RYE 150 LBS/AC
 - E. SOD
 - F. STRAW MULCH 2 TONS/AC
- * IRRIGATION NEEDED DURING JUNE AND JULY
- ** IRRIGATION NEEDED FOR 2 TO 3 WEEKS AFTER APPLYING SOD

SOIL PROTECTION CHART



INLET FILTER ASSEMBLY DETAIL

- NOTES**
1. INLET FILTER ASSEMBLY SHALL MEET IDOT'S PROVISIONAL SPECIFICATIONS (ISP 04-11).
 2. MAINTENANCE/CLEANING OF THE INLET FILTER ASSEMBLY SHALL BE IN STRICT ACCORDANCE WITH THE SPECIAL PROVISIONS AND THE MANUFACTURER'S RECOMMENDATIONS AND WRITTEN SPECIFICATIONS.
 3. PRIOR TO ORDERING MATERIALS, THE CONTRACTOR SHALL DETERMINE THE SIZE AND SHAPE OF THE VARIOUS DRAINAGE STRUCTURES BEING PROTECTED.
 4. MANUFACTURER SHALL FURNISH A CERTIFICATION WITH EACH SHIPMENT STATING COMPLIANCE WITH IDOT REQUIREMENTS.
 5. ASSEMBLY SHALL BE AS MANUFACTURED BY INLET AND PIPE PROTECTION, INC., MARATHON MATERIALS, OR APPROVED EQUAL.



TREE TRUNK PROTECTION

REVISIONS	
NAME	DATE

ILLINOIS DEPARTMENT OF TRANSPORTATION
**BLUFF AVENUE IMPROVEMENTS
 STAGE 1**
CONSTRUCTION DETAILS - SPECIAL

SCALE: NTS
 DATE 07/18/2008

DRAWN BY H&A
 CHECKED BY PFH

DATE: _____ BY: _____
 CHECKED: _____
 PLAN NO. _____

DATE: _____ BY: _____
 CHECKED: _____
 PROFILE NO. _____