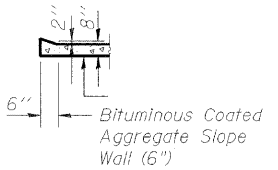
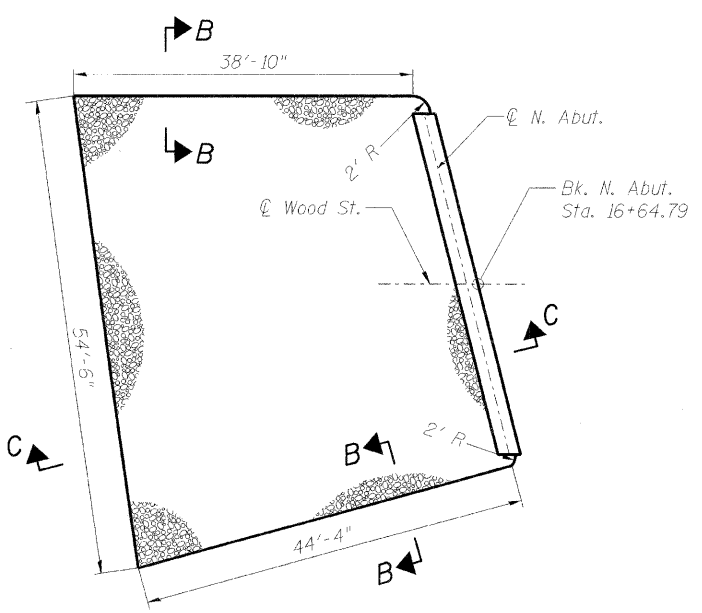
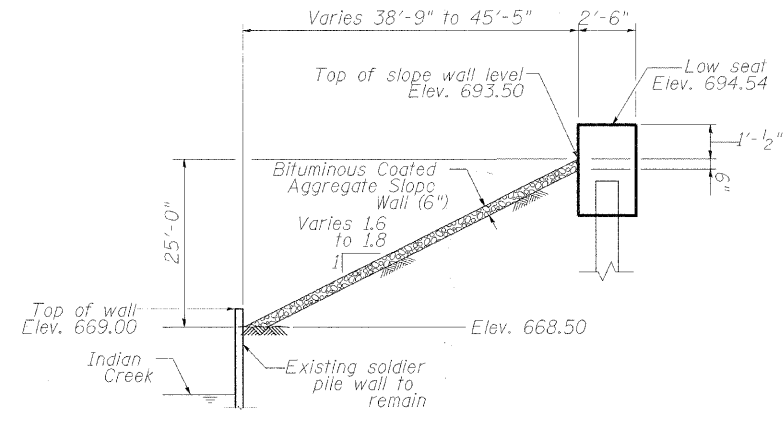
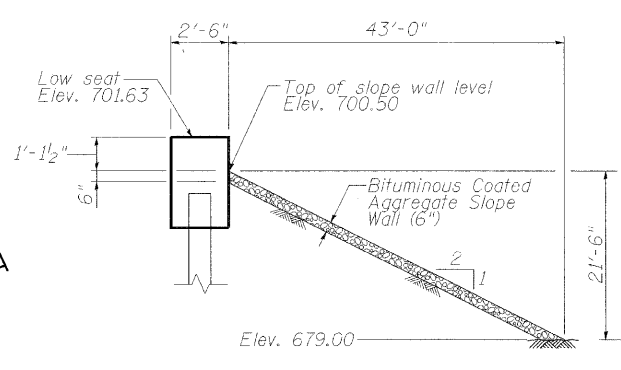
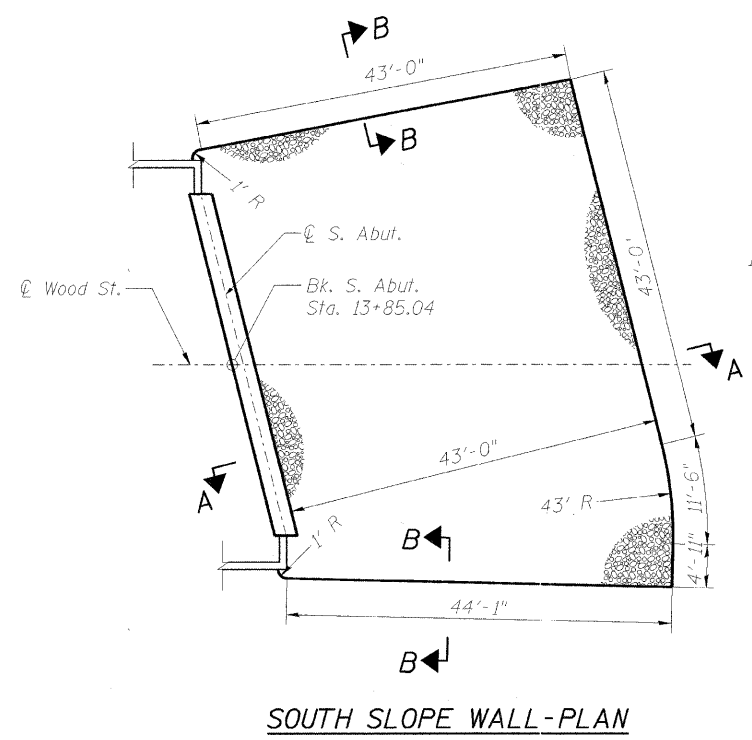
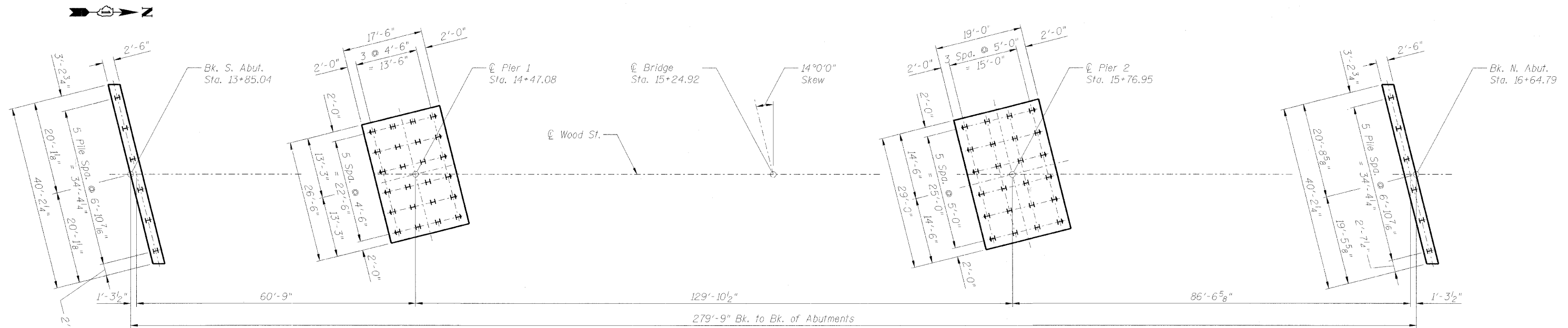


STATE OF ILLINOIS
DEPARTMENT OF TRANSPORTATION

ROUTE NO.	SECTION	COUNTY	SHEET NO.	SHEET NO.
		KANE	72	22
FED. ROAD DIST. NO. 7	ILLINOIS	FED. AID PROJECT-		

Project No. BROS-D001641
Contract No. 63080



SLOPE WALL BILL OF MATERIAL

ITEM	UNIT	QUANTITY
Bituminous Coated Aggregate Slope Wall, 6"	Sq. Yd.	555

Note:
Existing vegetation adjacent to slope wall shall not be disturbed by the Contractor. Disturbed vegetation adjacent to the slope wall shall be replaced in kind by the contractor at the contractor's cost.

DESIGNED	200
CHECKED	EXAMINED
DRAWN	PASSED
CHECKED	ENGINEER OF BRIDGES AND STRUCTURES

REVISIONS	
NAME	DATE

ILLINOIS DEPARTMENT OF TRANSPORTATION
FOUNDATION LAYOUT PLAN
WOOD ST. BRIDGE OVER B.N.S.F. R.R.
AND INDIAN CREEK
SECTION -BR STATION 15+24.92
KANE COUNTY STRUCTURE NO. 045-6022

SCALE:
DATE: SEPTEMBER 2008

DRAWN BY: PA
CHECKED BY: ATI

