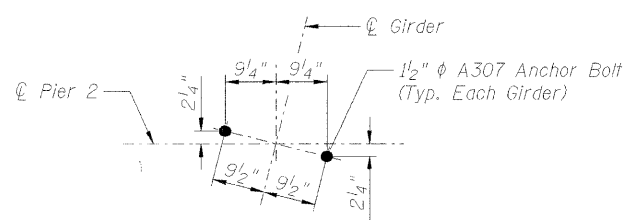


STATE OF ILLINOIS  
DEPARTMENT OF TRANSPORTATION

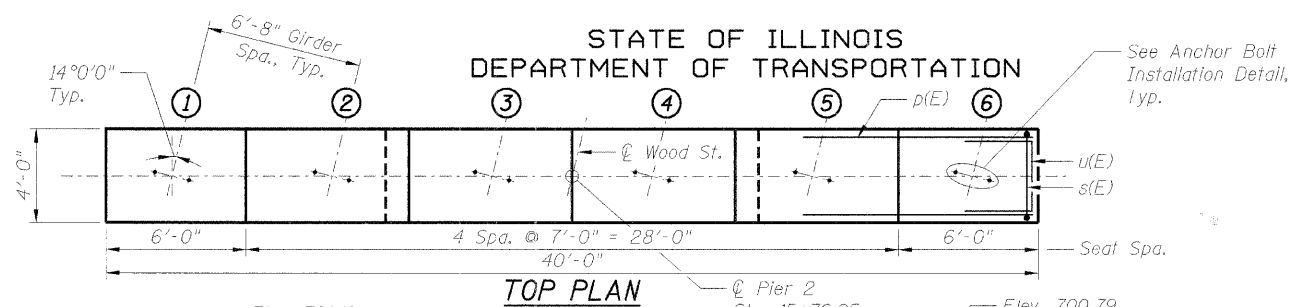
ROUTE NO.	SECTION	COUNTY	TOTAL SHEETS	SHEET NO.
		KANE	72	12
FED. ROAD DIST. NO. 7		T. I. LIMITS		FED. AID PROJECT-

SHEET NO. 5-23  
SHEETS 33

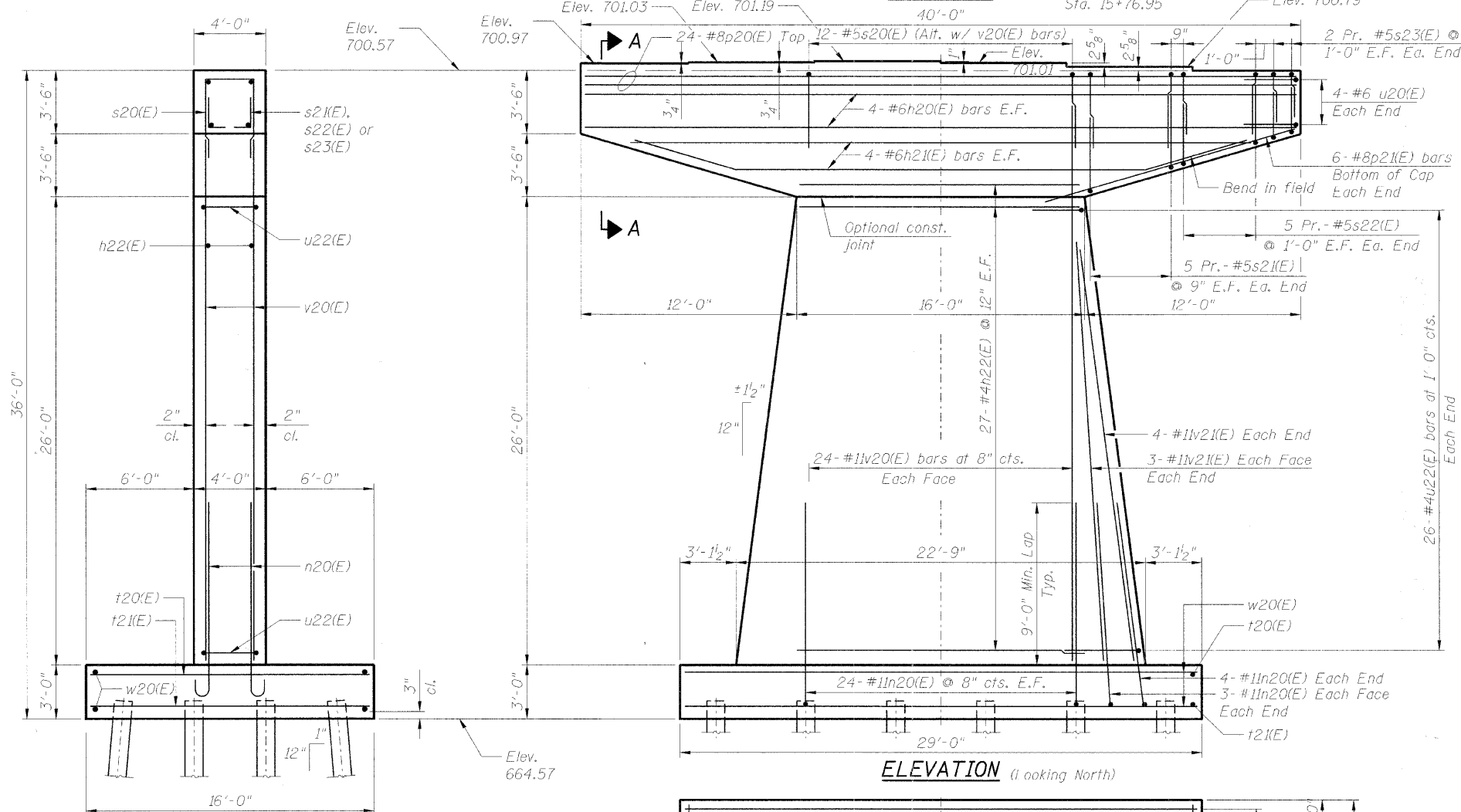
Project No. BR05-DO01(64)  
Contract No. 63080



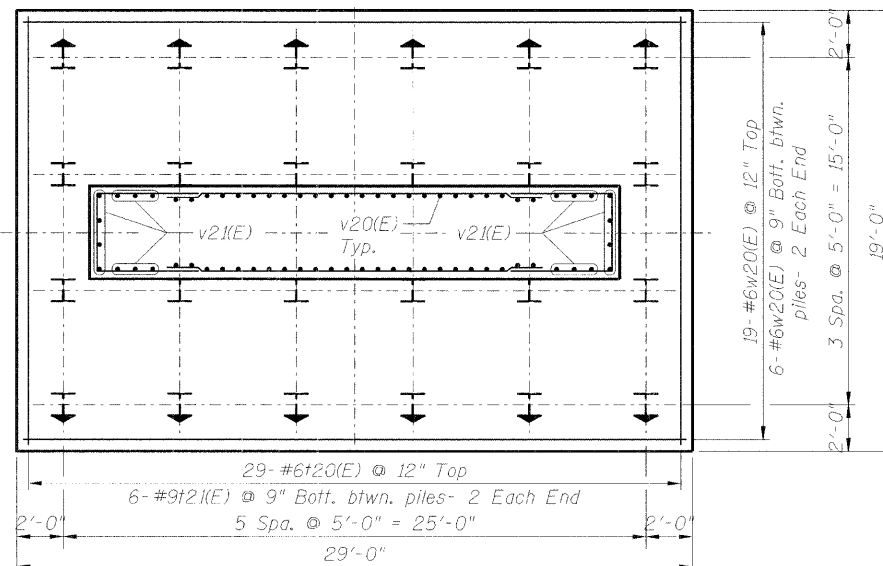
ANCHOR BOLT INSTALLATION DETAIL



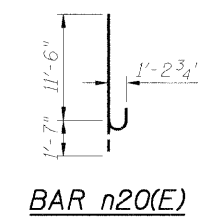
TOP PLAN



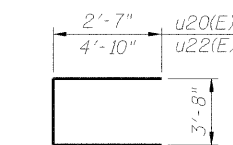
ELEVATION (Looking North)



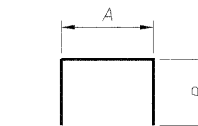
FOOTING PLAN



BAR n20(E)

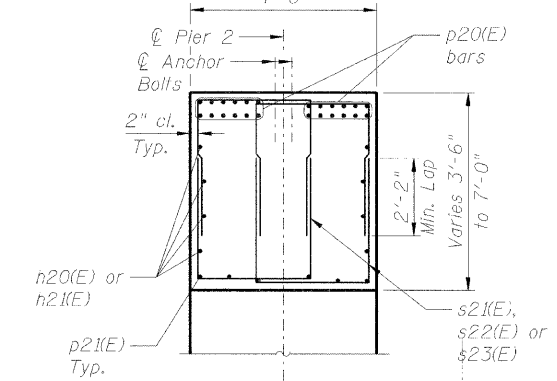


BARS u20(E)  
and u22(E)



BARS s20(E)  
thru s23(E)  
A & B DIMENSIONS

Bar	A	B
s20(E)	3'-8"	3'-10"
s21(F)	2'-5"	4'-3"
s22(E)	2'-5"	3'-6"
s23(E)	2'-5"	2'-10"



SECTION A-A

BILL OF MATERIAL

Bar	No.	Size	Length	Shape
h20(E)	8	#6	39'-8"	—
h21(E)	8	#6	34'-5"	—
h22(E)	54	#4	15'-8"	—
n20(E)	68	#11	14'-4"	U
p20(E)	24	#8	39'-8"	—
p21(E)	12	#8	16'-2"	—
s20(E)	12	#5	11'-4"	□
s21(E)	40	#5	10'-11"	□
s22(E)	40	#5	9'-5"	□
s23(E)	16	#5	8'-1"	□
t20(E)	29	#6	18'-8"	—
t21(E)	34	#9	18'-8"	—
u20(E)	8	#6	8'-10"	—
u22(E)	52	#4	13'-4"	—
v20(E)	48	#11	31'-3"	—
v21(E)	20	#11	23'-0"	—
w20(E)	41	#6	28'-8"	—
Structure Excavation		Cu. Yd.	84.3	
Concrete Structures		Cu. Yd.	173.6	
Reinforcement Bars, Epoxy Coated		Pound	26,540	
Furnishing Steel Piles HP12X53		Foot	805	
Driving Piles		Foot	805	
Test Pile Steel HP12X53		Each	1	
Pile Shoes		Each	24	

END VIEW  
(Looking East)

PILE DATA

Type: HP 12x53  
Nominal Required Bearing: 418.5 k  
Factored Resistance Available: 139.5 k  
Est. Length: 35 ft  
No. Production Piles: 24 Including 1 Test Pile

DESIGNED	200
CHECKED	EXAMINED
DRAWN	PASSED
CHECKED	ENGINEER OF BRIDGES AND STRUCTURES

REVISIONS NAME	DATE

ILLINOIS DEPARTMENT OF TRANSPORTATION  
PIER 2 DETAILS  
WOOD ST. BRIDGE OVER B.N.S.F. R.R.  
AND INDIAN CREEK  
SECTION - BR STATION 15+24.92  
KANE COUNTY STRUCTURE NO. 045-6022

SCALE: DRAWN BY: PA  
DATE: SEPTEMBER 2008 CHECKED BY: ATI

