

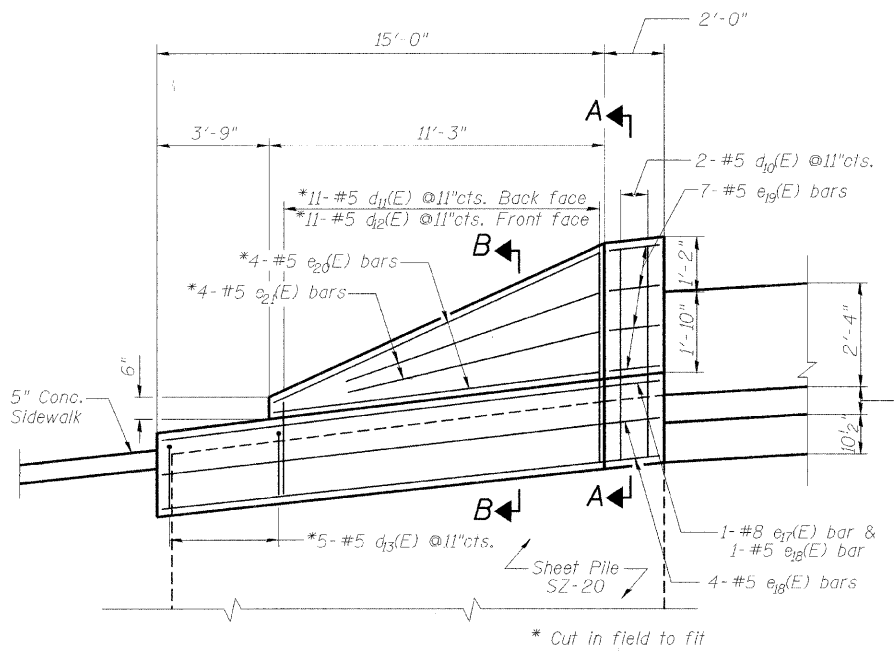
STATE OF ILLINOIS
DEPARTMENT OF TRANSPORTATION

ROUTE NO.	SECTION	COUNTY	TOTAL SHEETS	SHEET NO.
		KANE	72	46
FED. ROAD DIST. NO. 7		ILLINOIS PROJECT NO.		
		Project No. BR05-D001(64) Contract No. 63080		

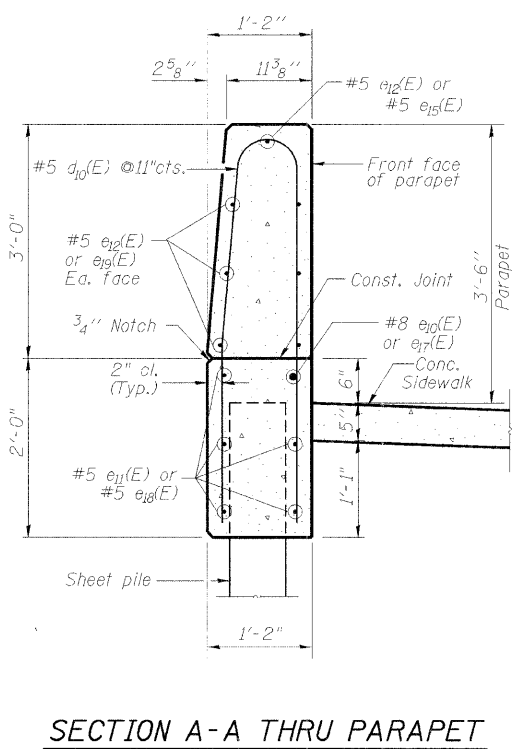
SHEET PILE WALL
BILL OF MATERIAL

Bar No.	Size	Length	Shape
d ₀ (E)	#5	9'-8 1/2"	U
d ₁₁ (E)	#5	4'-8"	—
d ₁₂ (F)	#5	4'-8"	—
d ₁₃ (E)	#5	4'-2"	U
e ₀ (E)	#8	27'-1"	—
e ₁₁ (E)	#5	27'-1"	—
e ₁₂ (E)	#5	24'-9"	—
e ₁₃ (E)	#8	19'-10"	—
e ₁₄ (E)	#5	19'-10"	—
e ₁₅ (E)	#5	16'-0"	—
e ₁₆ (E)	#5	13'-11"	—
e ₁₇ (E)	#8	16'-9"	—
e ₁₈ (E)	#5	16'-9"	—
e ₁₉ (E)	#5	1'-8"	—
e ₂₀ (E)	#5	11'-0"	—
e ₂₁ (E)	#5	8'-9"	—
s ₁₀ (E)	#4	6'-4"	□
Reinforcement Bars, Epoxy Coated		Pound	2,350
Concrete Structures		Cu. Yd.	16.0
Protective Coat		Sq. Yd.	39
Permanent Steel Sheet Piling		Sq. Ft.	1,512
Stone Columns 2'-6" dia.		Ft.	315

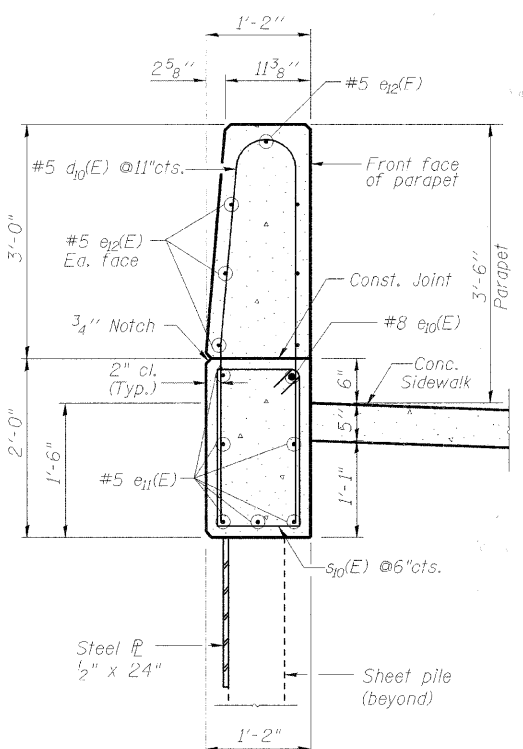
Bars Indicated thus 1x3-#5 etc. indicates 1 line of bars with 3 lengths per line.



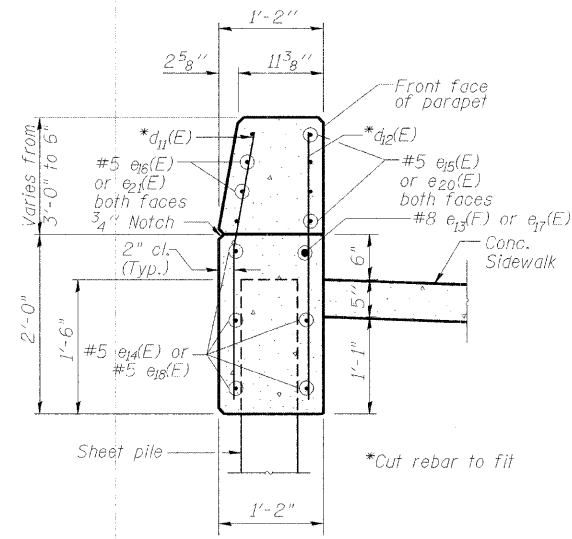
WEST WALL REINFORCEMENT DETAIL
(LOOKING EAST)
N.T.S.



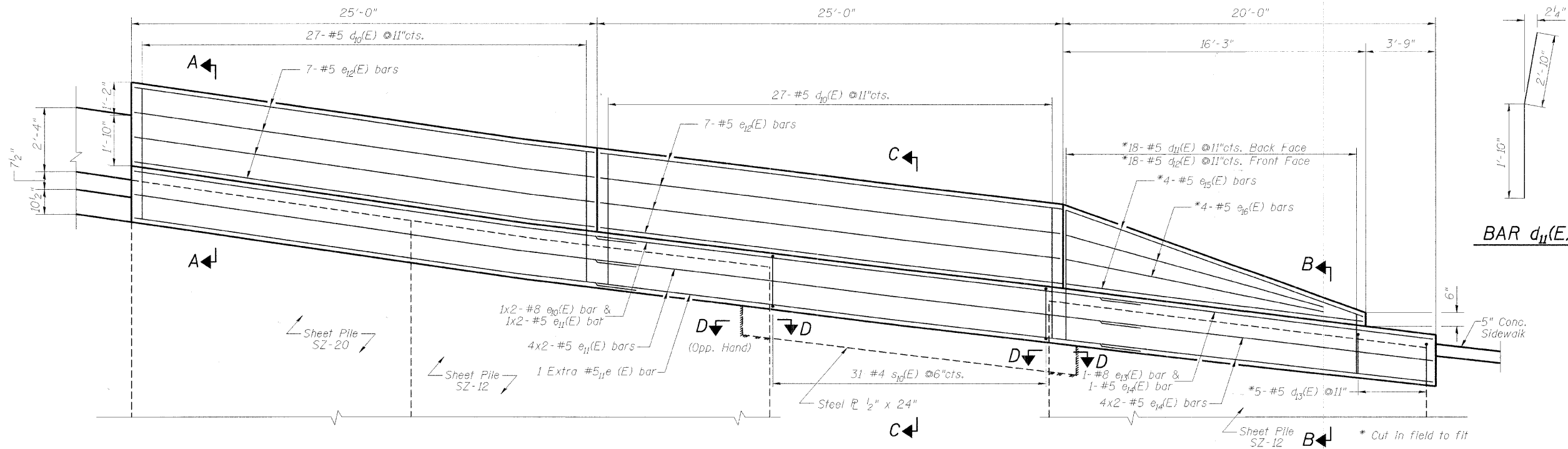
SECTION A-A THRU PARAPET



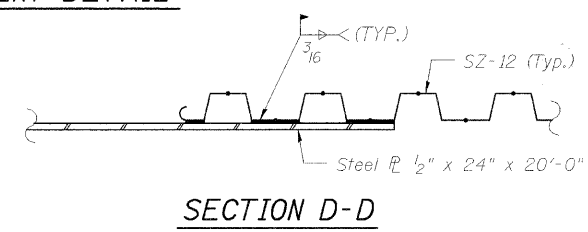
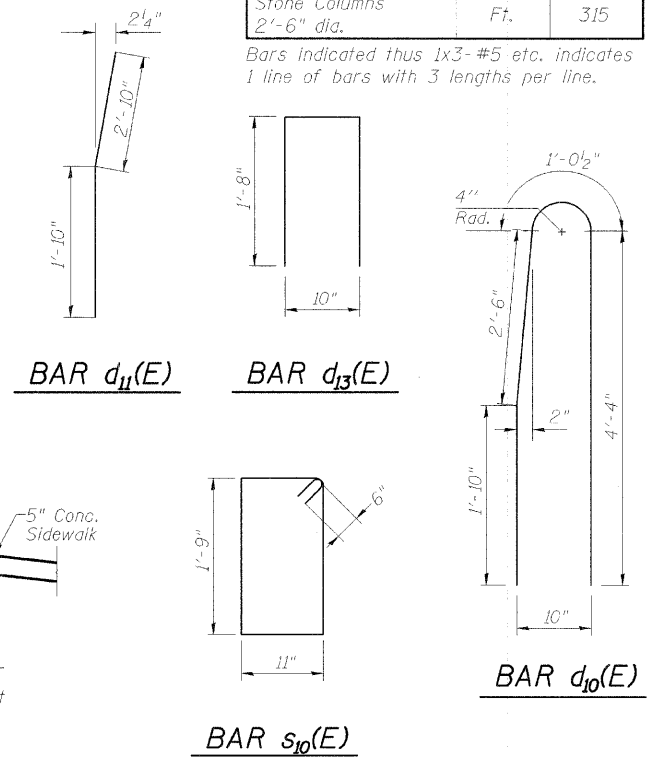
SECTION C-C THRU PARAPET



SECTION B-B THRU PARAPET



EAST WALL REINFORCEMENT DETAIL
(LOOKING WEST)
N.T.S.



SECTION D-D

DESIGNED	200
CHECKED	EXAMINED
DRAWN	PASSED
CHECKED	

REVISIONS	NAME	DATE

CMT
CRAWFORD MURPHY & TILLY, INC.
CONSULTING ENGINEERS
SPRINGFIELD, IL ■ AURORA, IL ■ ST. LOUIS, MO
ROCKFORD, IL ■ PEORIA, IL ■ CHICAGO, IL

ILLINOIS DEPARTMENT OF TRANSPORTATION
SHEET PILE WALL DETAILS II
WOOD ST. BRIDGE OVER B.N.S.F. R.R.
AND INDIAN CREEK
SECTION - BR STATION 15+24.92
KANE COUNTY STRUCTURE NO. 045-6022

SCALE: DRAWN BY: MCC
DATE: SEPTEMBER 2008 CHECKED BY: ATI