

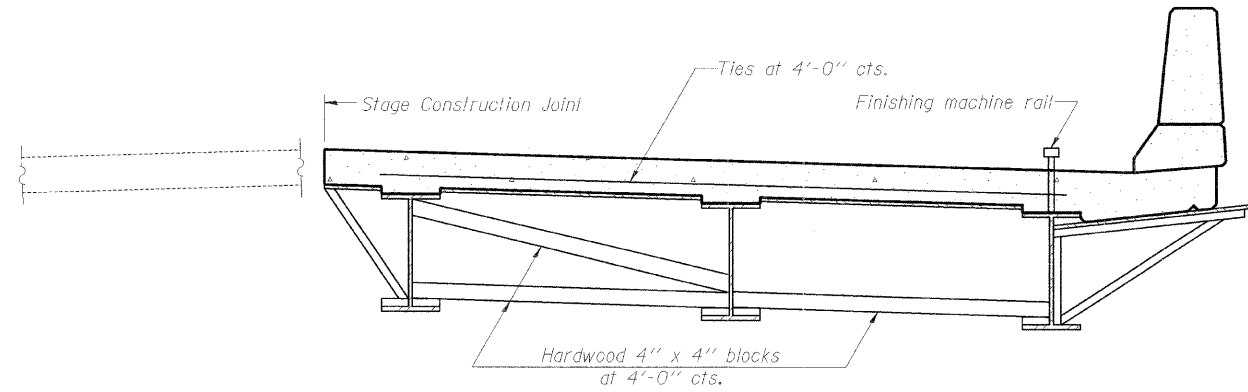
STATE OF ILLINOIS
DEPARTMENT OF TRANSPORTATION

| | | | | |
|-----------------------|----------|------------------|--------------|-----------|
| ROUTE NO. | SECTION | COUNTY | TOTAL SHEETS | SHEET NO. |
| | | KANE | 72 | 47 |
| FED. ROAD DIST. NO. 7 | ILLINOIS | FED. AID PROJECT | | |

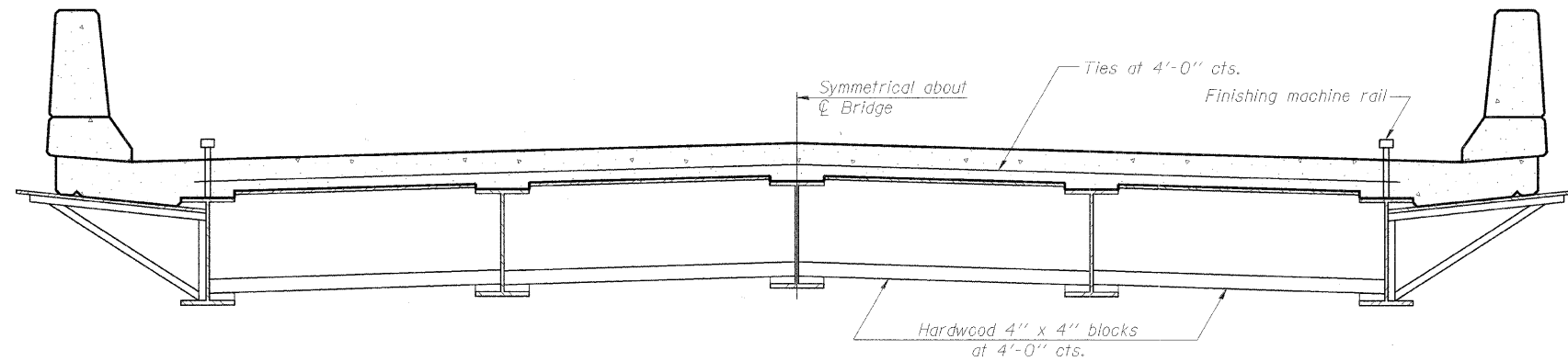
SHEET NO. S-28
SHEETS 33

Project No. BR05-D001641
Contract No. 63080

When cantilever forming brackets are used, the work shall be done according to Article 503.06(b) of the Standard Specifications, except as modified below and in the details shown on this sheet.
The finishing machine rails shall be placed on the top flange of the exterior beams.
The beams or girders, supporting cantilever forming brackets, shall be tied together at 4 foot intervals.
For Standard construction, or Stage Construction the Hardwood bracing materials shall be placed as shown between webs of beams in each bay.



**FORM BRACES FOR
STAGE CONSTRUCTION**



**FORM BRACES FOR
STANDARD CONSTRUCTION**

| | |
|----------|----------|
| DESIGNED | 200 |
| CHECKED | EXAMINED |
| DRAWN | PASSED |
| CHECKED | |

ENGINEER OF BRIDGE DESIGN
ENGINEER OF BRIDGES AND STRUCTURES

SB-1 11-1-06

| REVISIONS | |
|-----------|------|
| NAME | DATE |
| | |
| | |
| | |
| | |
| | |
| | |
| | |
| | |
| | |
| | |

ILLINOIS DEPARTMENT OF TRANSPORTATION
CANTILEVER FORMING BRACKETS
WOOD ST. BRIDGE OVER B.N.S.F. R.R.
AND INDIAN CREEK
SECTION -BR STATION 15+24.92
KANE COUNTY STRUCTURE NO. 045-6022

CMT
CRAWFORD MURPHY & TILLY, INC.
CONSULTING ENGINEERS
SPRINGFIELD, IL ■ AURORA, IL ■ ST. LOUIS, MO
ROCKFORD, IL ■ PEORIA, IL ■ CHICAGO, IL

SCALE:
DATE: SEPTEMBER 2008

DRAWN BY: MCC
CHECKED BY: ATI

WOOD STREET

SEC