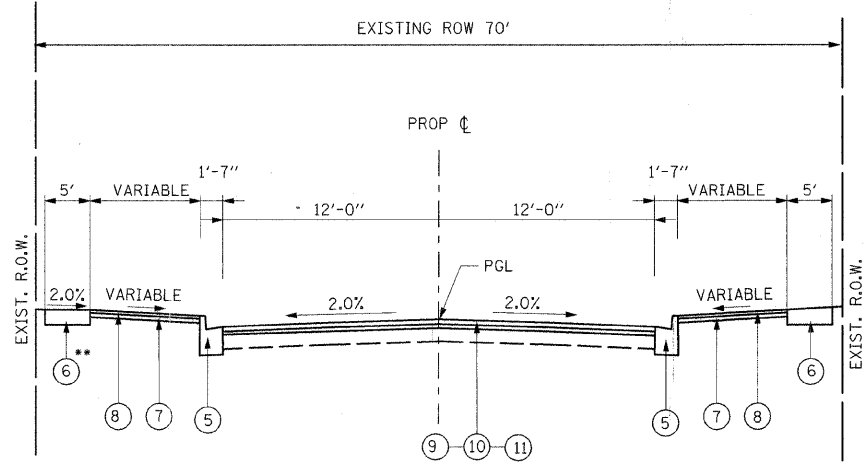


* PROPOSED TYPICAL SECTION
HAZEL AVENUE



PROPOSED TYPICAL SECTION
STA. 77+44 TO STA. 77+64.54
STA. 78+58.46 TO STA. 78+86.00
WILMOT ROAD

* FOR INFORMATION ONLY
CONSTRUCTION IS PART OF
SEPARATE CONSTRUCTION CONTRACT

** PCC SIDEWALK THICKNESS IN
DRIVEWAYS ARE 6" WITHIN THE
LIMITS OF RESIDENTIAL
DRIVEWAYS.

** PCC SIDEWALK THICKNESS IN
DRIVEWAYS ARE 6" WITHIN THE
LIMITS OF RESIDENTIAL
DRIVEWAYS.

LEGEND (PROPOSED):

- ① SUB-BASE GRANULAR MATERIAL, TYPE B. 6"
- ② HOT-MIX ASPHALT SURFACE COURSE, MIX "D", N50 (IL9.5MM) 2"
- ③ HOT-MIX ASPHALT BINDER COURSE, IL-19.0, N50, 2.5"
- ④ HOT MIX ASPHALT BASE COURSE 4.5"
- ⑤ COMBINATION CONCRETE CURB AND GUTTER, TYPE B-6.12
REMOVAL AND REPLACEMENT
- ⑥ PORTLAND CEMENT CONCRETE SIDEWALK 5 INCH
- ⑦ FURNISHING AND PLACING TOP SOIL, 4 INCH (INCLUDED IN SIDEWALK, SEE NOTE)
- ⑧ SODDING, SALT TOLERANT (INCLUDED IN SIDEWALK SEE NOTE)
- ⑨ BITUMINOUS MATERIAL (PRIME COAT)
- ⑩ HOT MIX ASPHALT SURFACE COURSE, MIX "D", N50 (1-1/2")
- ⑪ LEVELING BINDER (MACHINE METHOD N50, 3/4")

NOTE:

ANY TURF RESTORATION WORK REQUIRED AS PART OF SIDEWALK
CONSTRUCTION, INCLUDING TOPSOIL, SOD, AND FERTILIZER PLACEMENT
SHALL BE INCLUDED IN THE WORK INVOLVED FOR SIDEWALK CONSTRUCTION.
SEE SPECIAL PROVISION.
"PORTLAND CEMENT CONCRETE SIDEWALK 5 INCH"

HOT-MIX ASPHALT MIXTURE REQUIREMENTS

ITEM	AC TYPE	VOIDS
ROADWAY HOT-MIX ASPHALT SURFACE COURSE, MIX "D", N50	PG 64-22	4% @ 50 Cyp.
DRIVEWAYS HOT-MIX ASPHALT SURFACE COURSE, MIX "D", N50 (IL9.5MM) 2"	PG 64-22 *	4% @ 50 Cyp.
ROADWAY LEVELING BINDER (M.M.), N50 (IL 9.5MM)	PG 64-22 / 58-22	4% @ 50 Cyp.

THE UNIT WEIGHT USED TO CALCULATE ALL HOT-MIX ASPHALT SURFACE MIXTURES IS 112 LBS/ SQ YD/IN
* WHEN RAP EXCEEDS 20%, THE NEW ASPHALT BINDER IN THE MIX SHALL BE PG 58-22

PLAN	DATE
BY	
CHECKED	
DATE	

PROFILE	DATE
BY	
CHECKED	
DATE	

<p>URS</p> <p>100 SOUTH WACKER DRIVE SUITE 500 CHICAGO, IL 60606</p> <p>TEL (312) 939-1000 FAX (312) 939-4198</p>		<p>VILLAGE OF DEERFIELD</p>	
		<p>PROPOSED TYPICAL SECTIONS HAZEL AVE. & WILMOT ROAD</p>	
<p>SCALE: VERT. NONE HORIZ. NONE DATE: 9/12/2008</p>		<p>DRAWN BY: MIA CHECKED BY: MHL</p>	