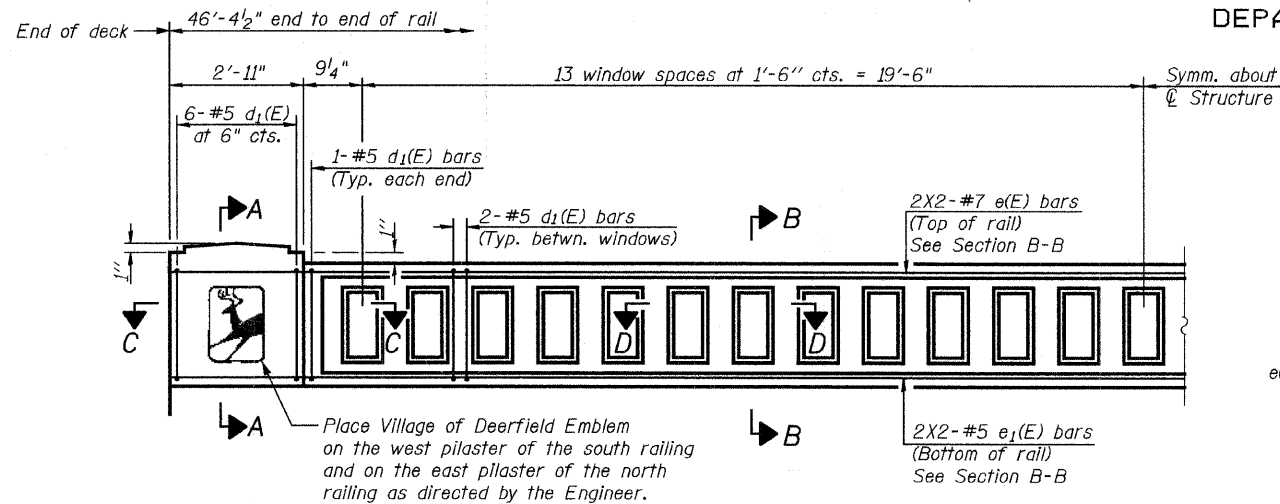
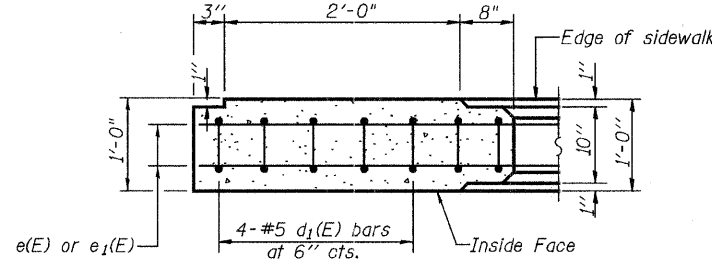


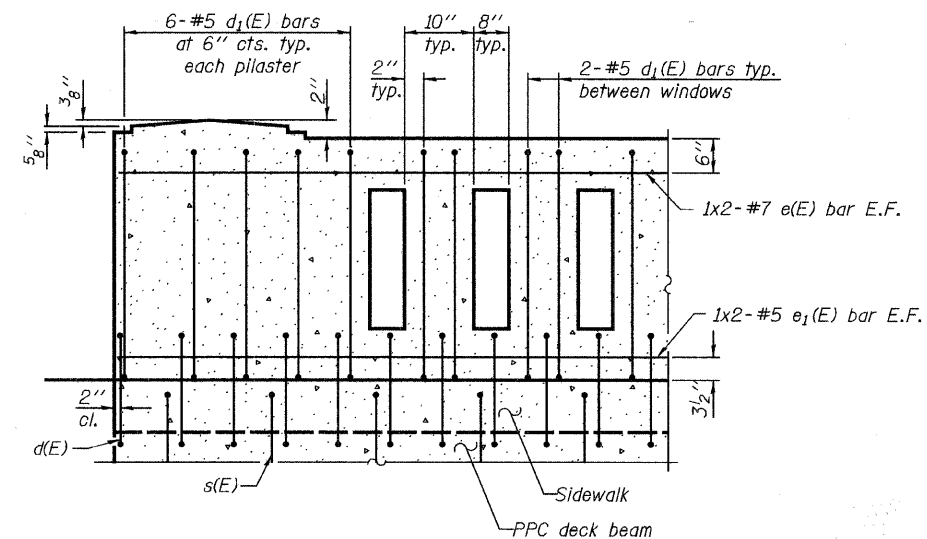
STATE OF ILLINOIS
DEPARTMENT OF TRANSPORTATION



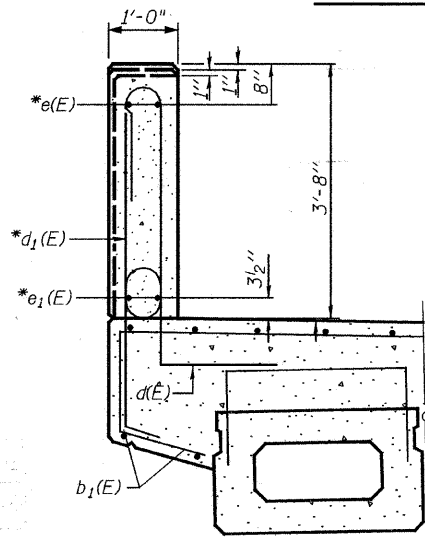
INSIDE ELEVATION OF RAIL



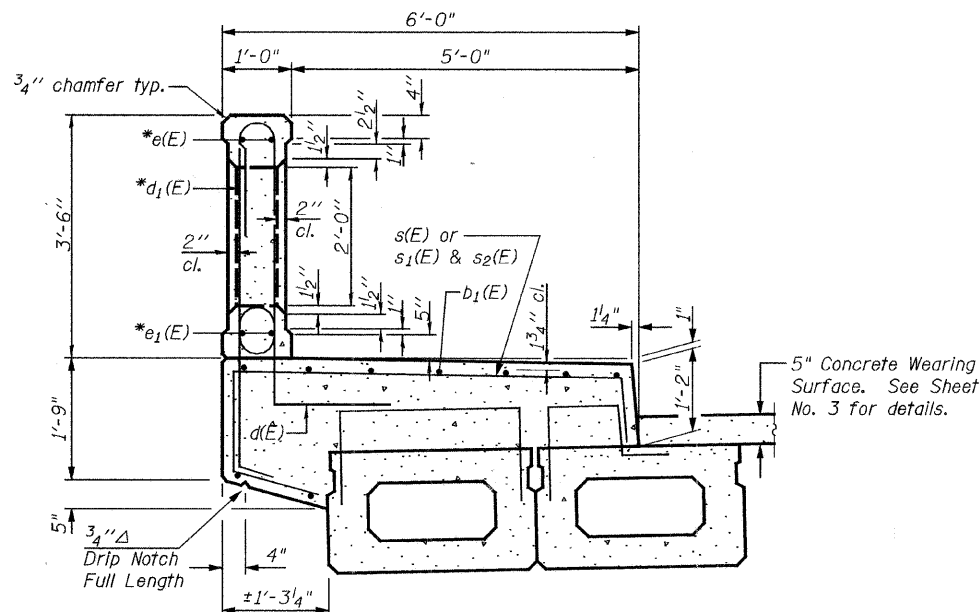
SECTION C-C



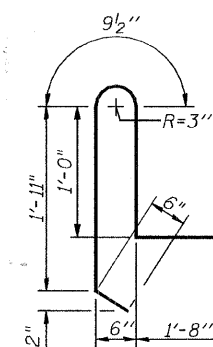
TYPICAL REINFORCEMENT PLACEMENT



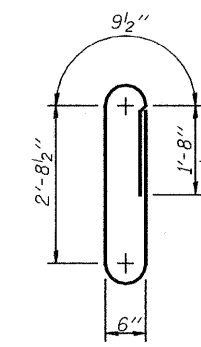
SECTION A-A



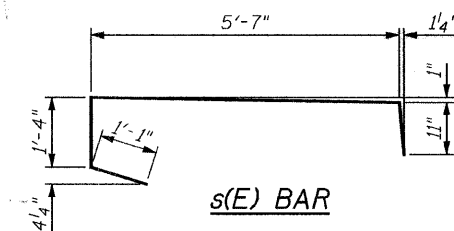
SECTION B-B



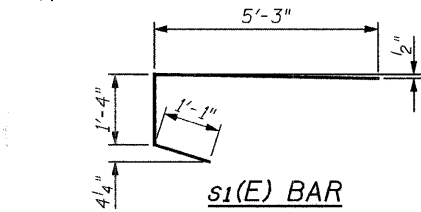
BAR d(E)



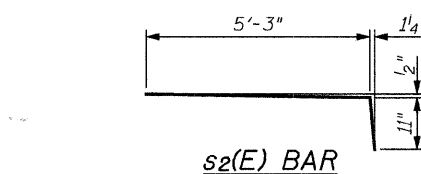
BAR d1(E)



s(E) BAR



s1(E) BAR

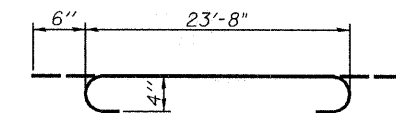


s2(E) BAR

SUPERSTRUCTURE
BILL OF MATERIAL

Bar No.	Size	Length	Shape	
d(E)	48 #4	24'-8"		
d1(E)	8 #4	18'-0"		
b(E)	48 #4	24'-5"		
b1(E)	36 #5	24'-8"		
d(E)	102 #5	5'-11"		
s(E)	84 #5	8'-11"		
s1(E)	24 #5	7'-8"		
s2(E)	24 #5	6'-2"		
* Reinforcement Bars, Epoxy Coated			Pound	4,360
Concrete Superstructure			Cu. Yds.	35.1
Bridge Deck Grooving			Sq. Yds.	115
Protective Coat			Sq. Yds.	232
* Concrete Wearing Surface, 5"			Sq. Yds.	127
Concrete Bridge Railing, Sidewalk Mounted			Foot	93

* See Special Provisions



d(E) BAR

MINIMUM BAR LAP

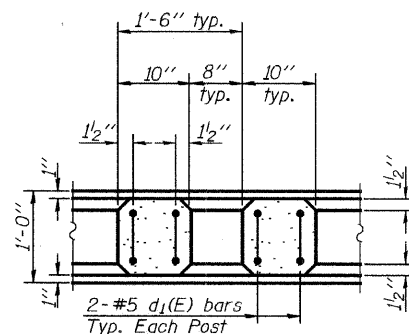
(Concrete Bridge Rail Bar Lap)
#5 Bar = 1'-8"
#7 Bar = 2'-8"

RAILING BAR LIST
ONLY ONE RAILING

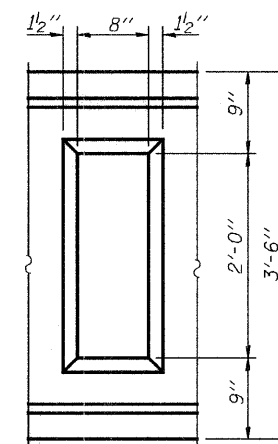
(For Information Only)

Bar	No.	Size	Length	Shape
d1(E)	66	#5	8'-8"	
e(E)	4	#7	24'-5"	
e1(E)	4	#5	23'-11"	

Notes:
Bars indicated thus 2x2-#5 etc. indicate 2 lines of bars with 2 lengths per line.
All concrete for railing wall shall be Class BS according to Article 1020.04 of the Standard Specifications. Surface of railing shall receive a rubbed finish according to Article 503.15(b) of the Standard Specifications.
All parts of the railing including concrete and reinforcing will be paid for at the contract unit price per foot for Concrete Bridge Railing, Sidewalk Mounted. Holes and recesses must be formed or cored. Drilling is not permitted.
All construction joints shall be bonded unless otherwise noted.
Work this sheet with Sheet No. 3.



SECTION D-D



WINDOW DETAIL



100 South Wacker Drive, Suite 500
Chicago, IL 60606
Tel: 312.939.1000
Fax: 312.939.4198

SUPERSTRUCTURE & RAILING DETAILS
STRUCTURE NO. 049-6152

DESIGNED	SCHELBIAN
CHECKED	JBUCHOLC
DRAWN	SCHELBIAN
CHECKED	JBUCHOLC

SHEET NO. 4 8 SHEETS	F.A.U. RTE.	SECTION	COUNTY	TOTAL SHEETS	SHEET NO.
	1263	08-00081-00-BR	LAKE	26	22
			CONTRACT NO. 63085		
FED. ROAD DIST. NO. -		ILLINOIS	FED. AID PROJECT		