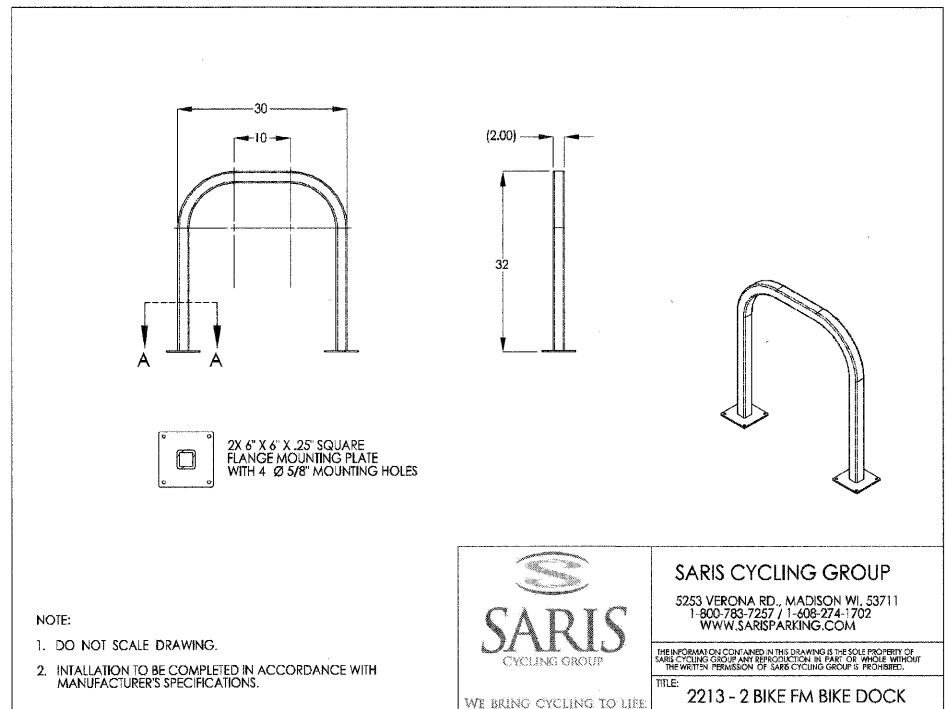
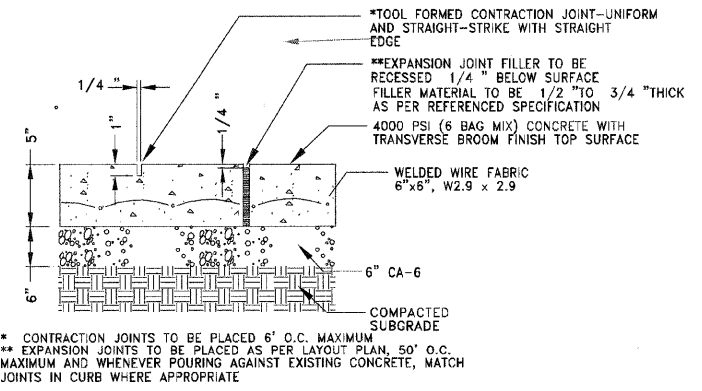


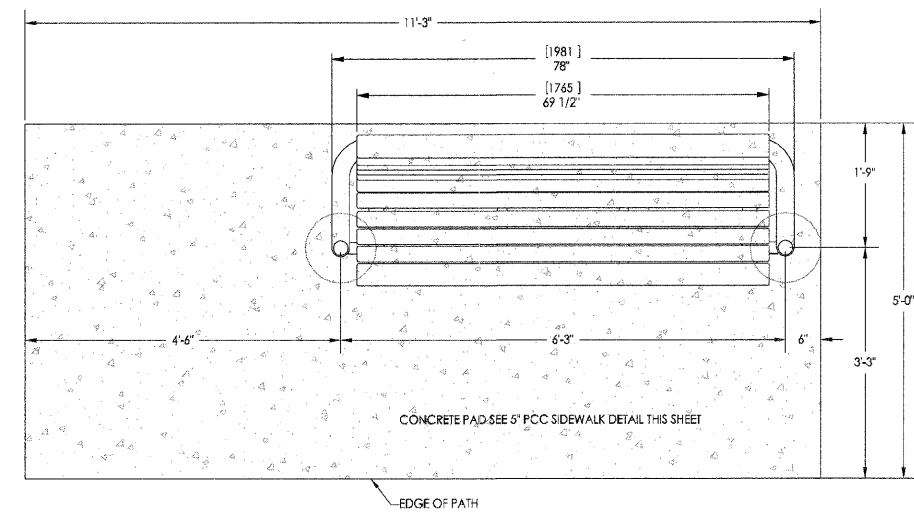
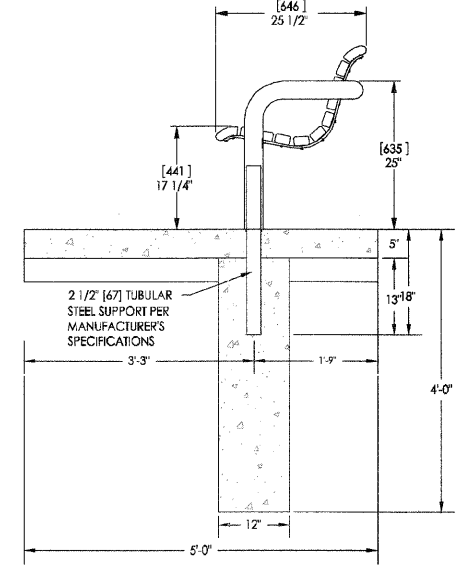
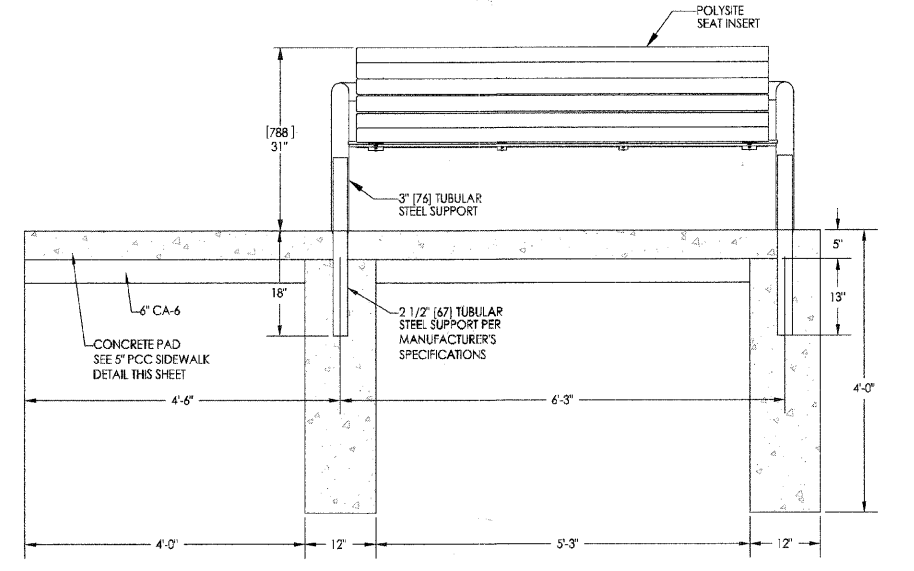
63089



BIKE RACK
NOT TO SCALE



5" PCC SIDEWALK DETAIL
NOT TO SCALE



BENCH WITH CONCRETE PAD AND FOOTING
NOT TO SCALE

LANDSCAPEFORMS
 DESIGN GROUP: PETOSKEY™
 DESCRIPTION: BENCH
 COLOR: STEEL
 POLYSITE: DRIFTWOOD

REVISIONS	
NAME	DATE

URS 100 S. WACKER DR., SUITE 500 TEL (312)-939-1000
 CHICAGO IL, 60606 FAX (312)-939-4198

CITY OF EVANSTON
 TWIGGS PARK
CONSTRUCTION DETAILS

DATE: 6/20/08

DRAWN BY: LLM
 CHECKED BY: BA