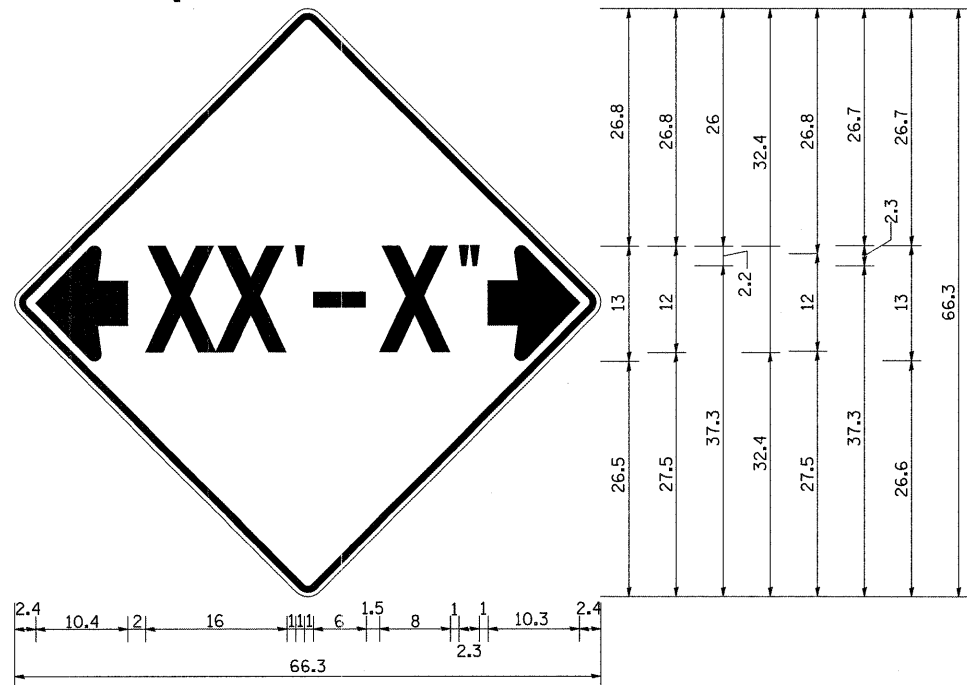
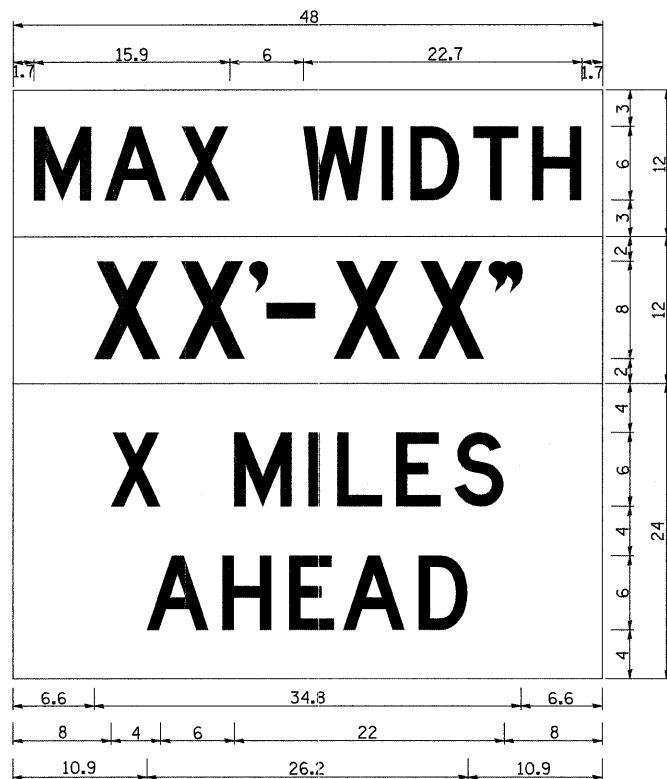


INFORMATIONAL WARNING SIGN (FOR NARROW TRAVEL LANES)



NOTES
 W12-2 - Horizontal Clearance Sign
 48.0" across sides, 1.9" Radius,
 0.8" Border, 0.5" Indent, Black on
 Orange; Standard Arrow Custom
 10.4" X 8.1" 180° Black 11 Inch
 D Series Lettering; Standard Arrow
 Custom 10.4" X 8.1" 0°



W12-I103 (Width Is 80);
 No border, Black on White;
 [MAX WIDTH] D;

 No border, Black on Orange;
 [XX'-XX''] D;

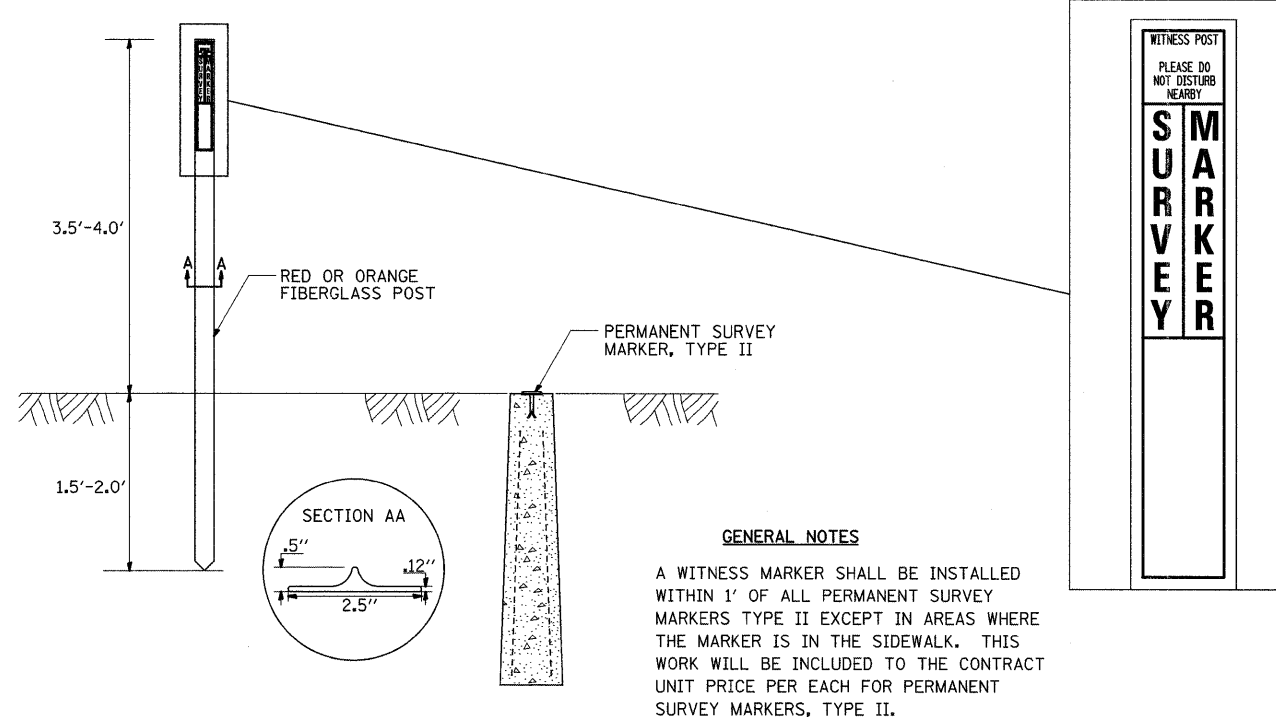
 No border, Black on White;
 [X MILES] D; [AHEAD] D;

All work to furnish and install these signs shall be included in the cost of the Traffic Control Standards and shall not be paid for separately.

ALL DIMENSIONS ARE IN INCHES UNLESS OTHERWISE NOTED.

REVISED - 1-9-08

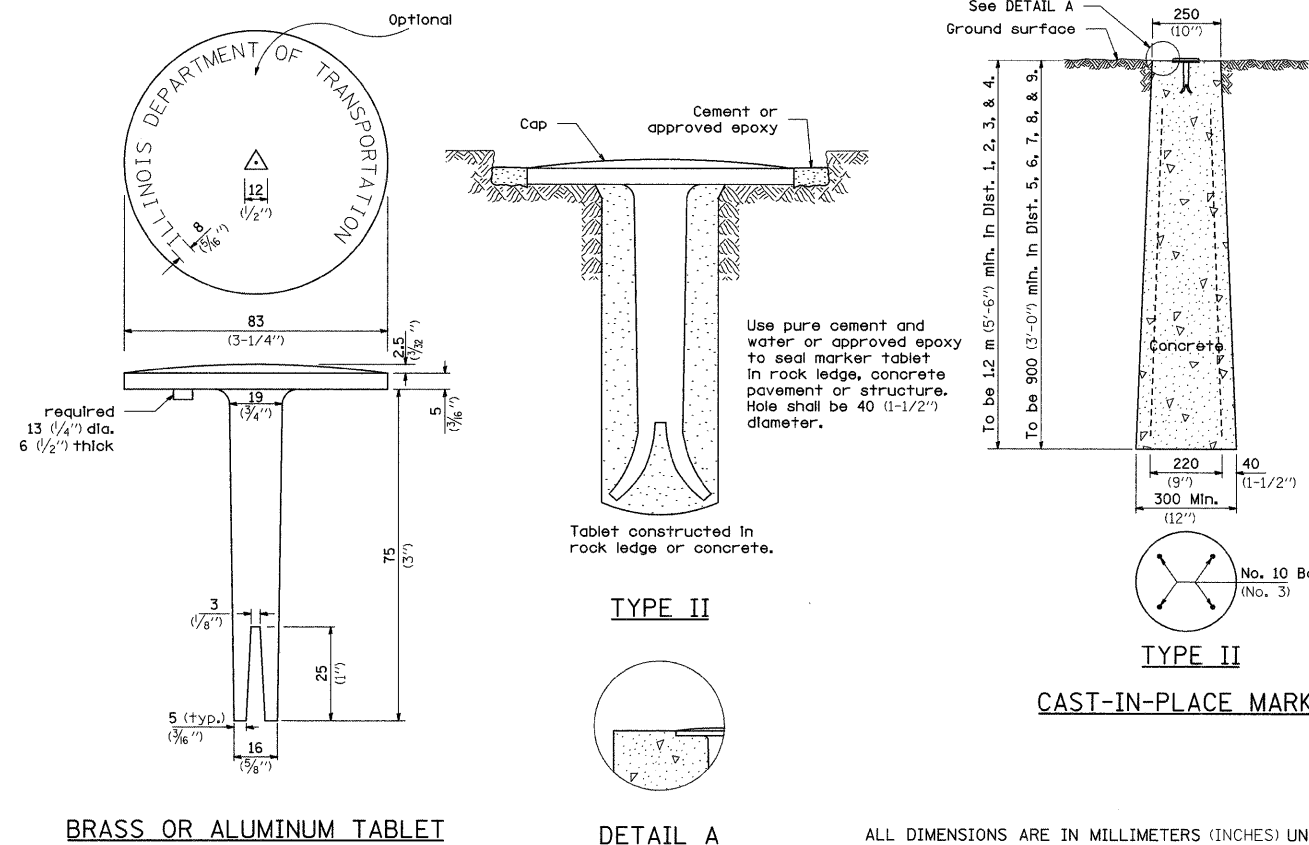
WITNESS MARKER FOR PERMANENT SURVEY MARKERS, TYPE II



GENERAL NOTES

A WITNESS MARKER SHALL BE INSTALLED WITHIN 1' OF ALL PERMANENT SURVEY MARKERS TYPE II EXCEPT IN AREAS WHERE THE MARKER IS IN THE SIDEWALK. THIS WORK WILL BE INCLUDED TO THE CONTRACT UNIT PRICE PER EACH FOR PERMANENT SURVEY MARKERS, TYPE II.

PERMANENT SURVEY MARKERS, TYPE II



BRASS OR ALUMINUM TABLET

DETAIL A

CAST-IN-PLACE MARKER

ALL DIMENSIONS ARE IN MILLIMETERS (INCHES) UNLESS OTHERWISE NOTED.

REVISED - 6-26-06	REGION 2 / DISTRICT 2 STANDARD		F.A.P. RTE. 301	SECTION 24T-5	COUNTY JODAVIESS	TOTAL SHEETS 43	SHEET NO. 28
REVISED -	SCALE: 50:0000 1/2" = 1'	SHEET NO. OF SHEETS	CONTRACT NO. 64C69		FED. ROAD DIST. NO. ILLINOIS FED. AID PROJECT		