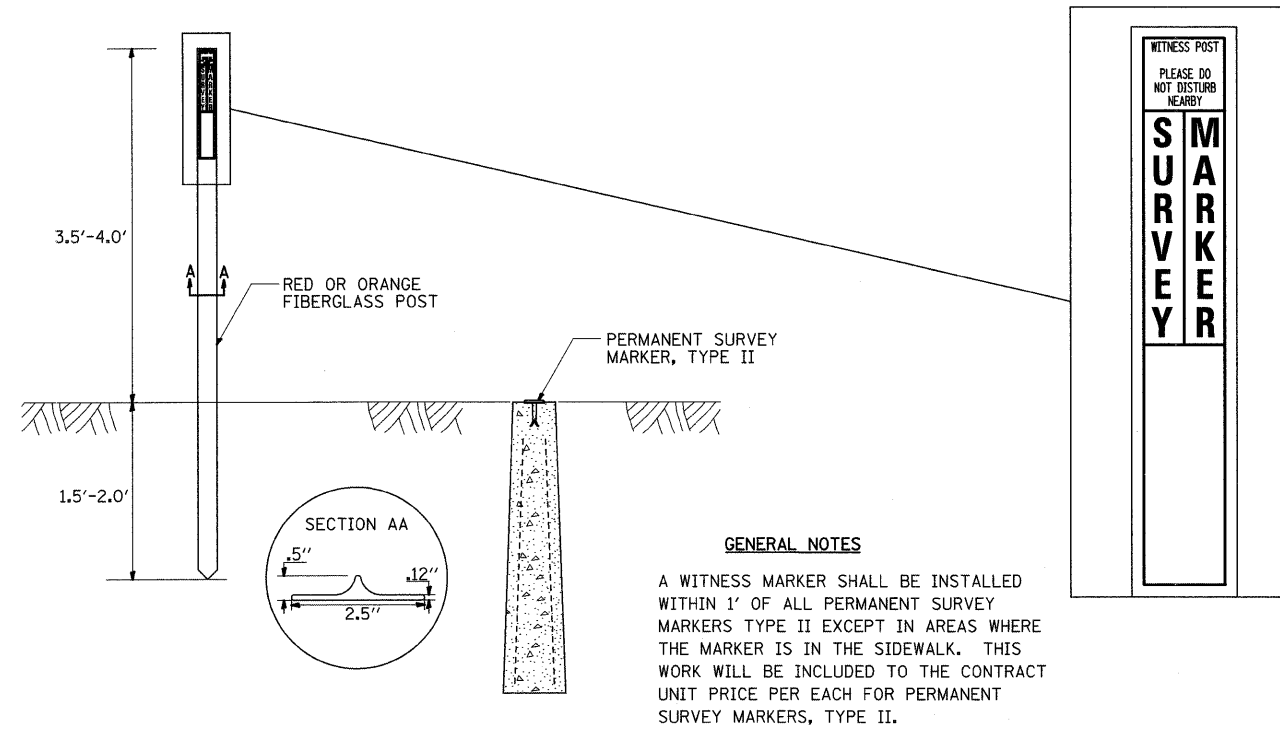
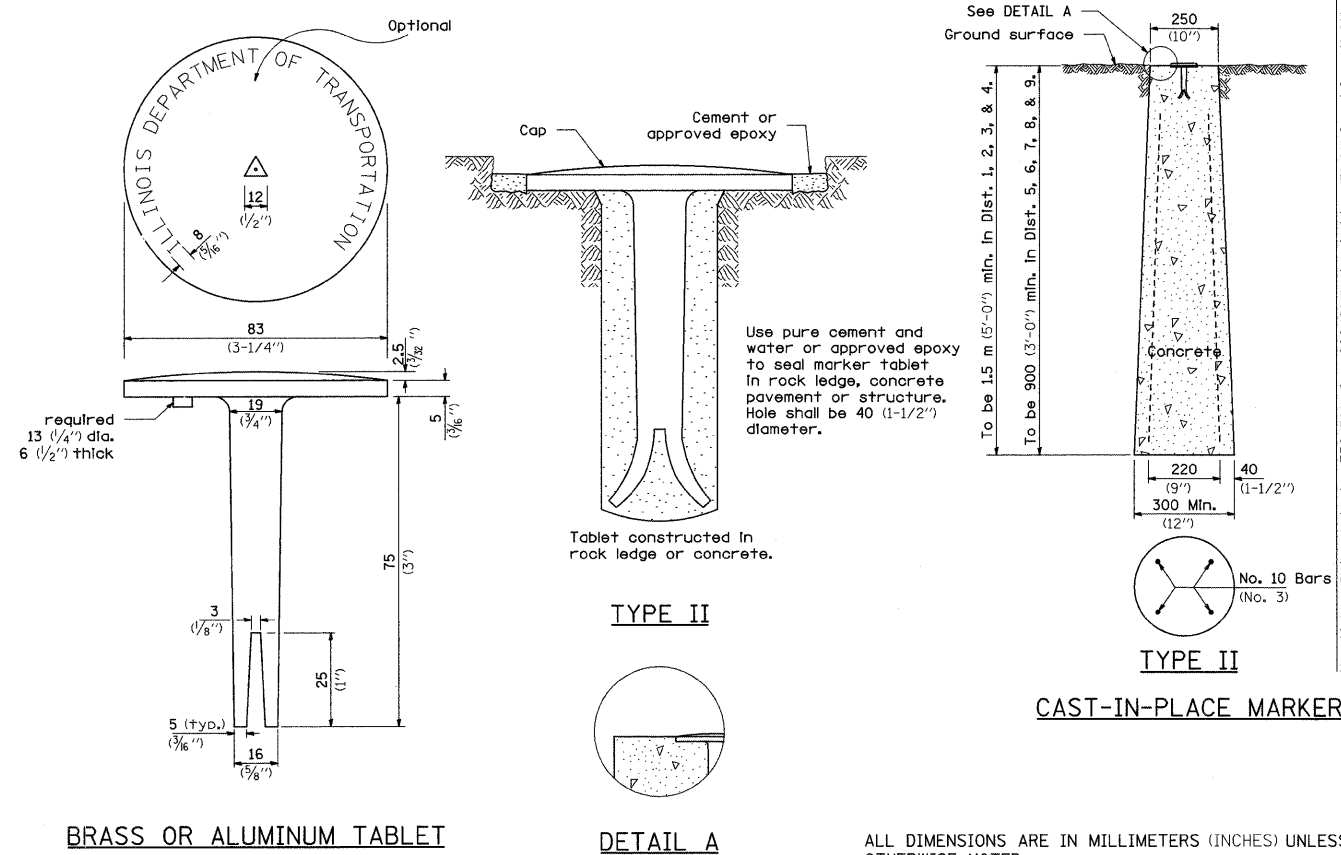


# WITNESS MARKER FOR PERMANENT SURVEY MARKERS, TYPE II



# PERMANENT SURVEY MARKERS, TYPE II



ALL DIMENSIONS ARE IN MILLIMETERS (INCHES) UNLESS OTHERWISE NOTED.

No. 10 (No. 3) bars to be 750 (30") for 900 (36") min. & 11 m (37'-6") for 1.2 m (4'-0") min.

REVISED - 6-26-06

BRASS OR ALUMINUM TABLET

REVISED -	REGION 2 / DISTRICT 2 STANDARD	F.A.P. RTE.	SECTION	COUNTY	TOTAL SHEETS	SHEET NO.	
REVISED -		599	(42MFT)T-1	ROCK ISLAND	26	19	
REVISED -		CONTRACT NO. 64C76					
REVISED -		SCALE: 50.0000' / 1" SHEET NO. OF SHEETS STA. TO STA.	FED. ROAD DIST. NO.	ILLINOIS FED. AID PROJECT			
REVISED -							