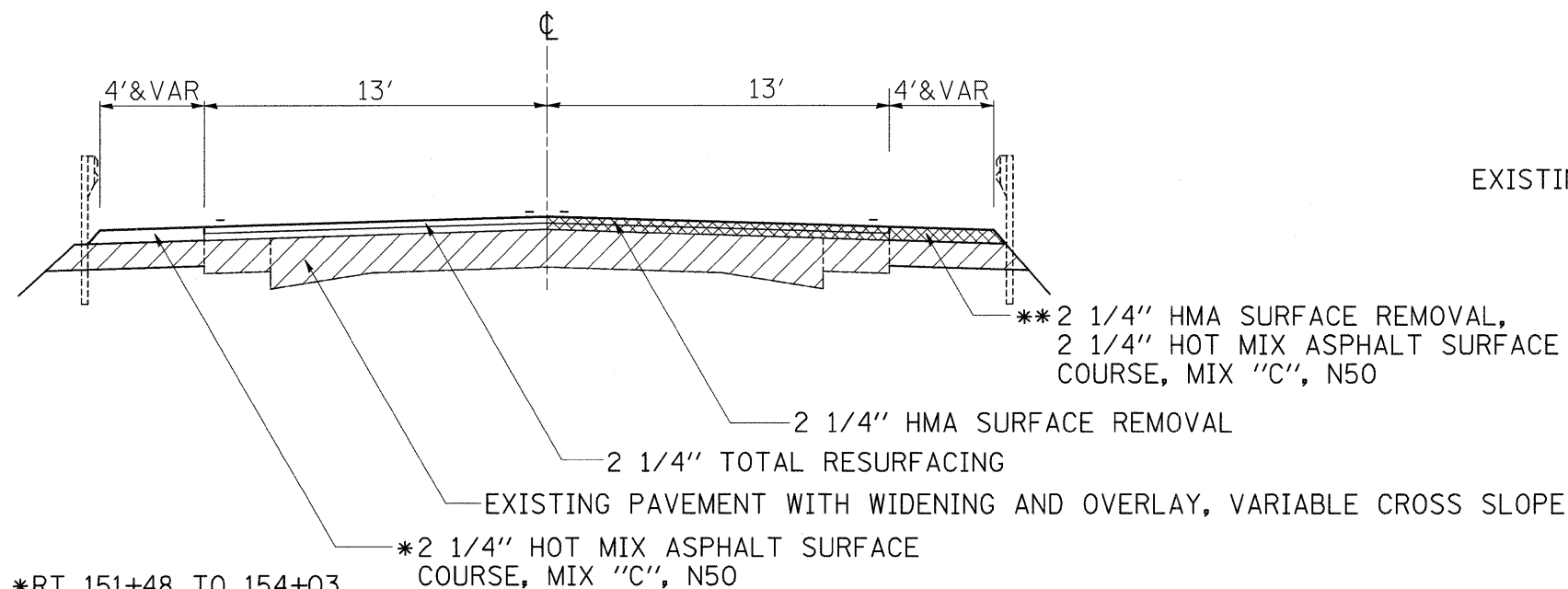


TYPICAL SECTIONS

SAG CORRECTION TYPICALS

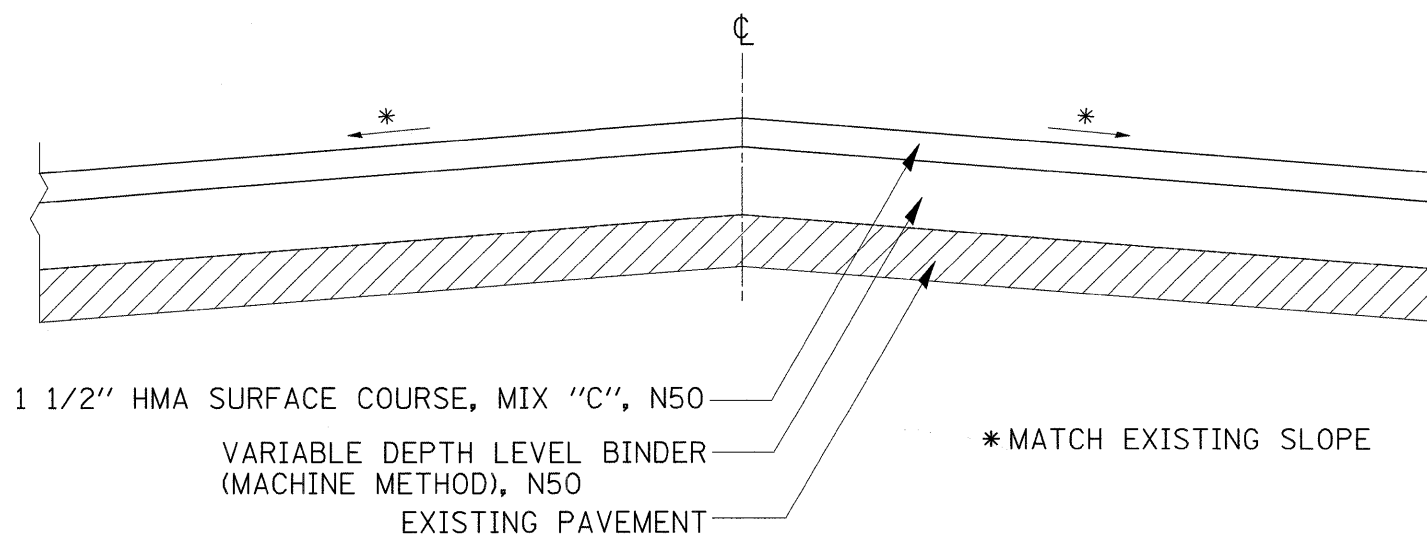
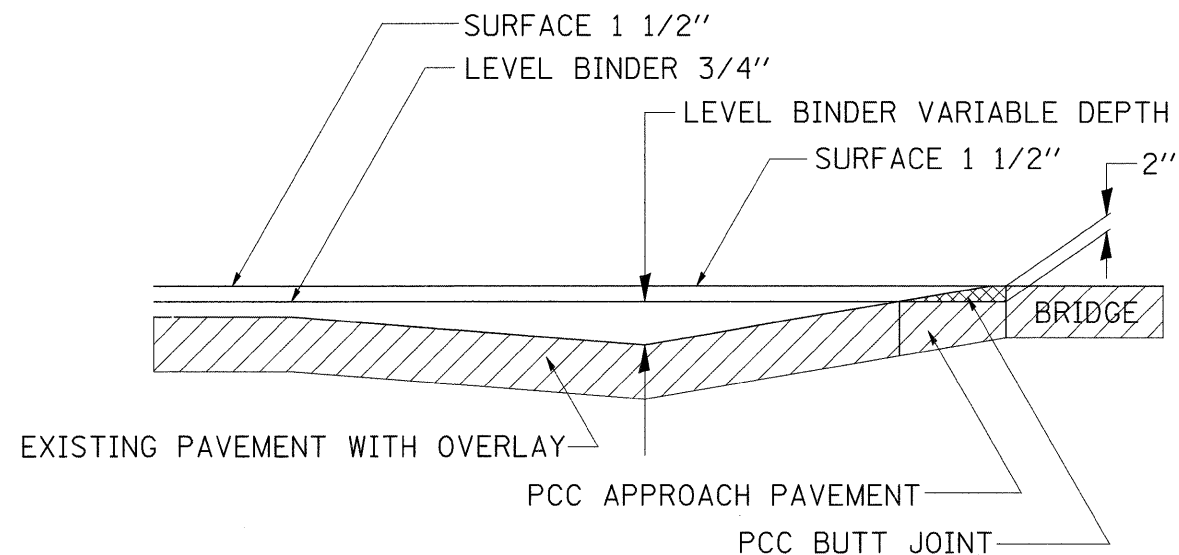
STA. 304+85 TO 306+11
STA. 307+45 TO 308+45

SHOULDER TYPICAL SECTIONS



- * RT 151+48 TO 154+03
- LT 152+30 TO 154+03
- LT 155+05 TO 157+82
- RT 155+05 TO 156+69
- RT 303+70 TO 305+91
- LT 304+44 TO 305+91
- LT 307+65 TO 309+76
- RT 307+65 TO 308+92
- LT & RT 386+08 TO 390+72
- LT & RT 415+52 TO 416+38
- LT & RT 417+48 TO 418+33
- LT & RT 550+47 TO 551+63
- LT & RT 552+76 TO 553+85

- ** LT & RT 257+38 TO 258+32
- LT & RT 259+22 TO 259+70
- LT & RT 550+02 TO 550+47
- LT & RT 553+85 TO 554+30
- RT 554+30 TO 555+00



FILL IN SAG FROM STA. 305+20 TO 305+91 AND FROM STA. 307+65 TO 308+35.
(SEE TABLE ON SUMMARY OF QUANTITIES)

FILE NAME =	USER NAME = dosdd	DESIGNED -	REVISED -	STATE OF ILLINOIS DEPARTMENT OF TRANSPORTATION	IL 73				F.A.P. RTE.	SECTION	COUNTY	TOTAL SHEETS	SHEET NO.		
et\pw_work\PWIDOT\DOSSDD\dms33571\d02977.dgn	PLOT SCALE = 50.0000' / IN.	DRAWN -	REVISED -		SCALE:	SHEET NO.	OF	SHEETS	STA.	TO STA.	654	(107, 108, 109)RS-4	STEPHENSON	89	11
	PLOT DATE = Fri Oct 03 08:45:49 2008	CHECKED -	REVISED -						CONTRACT NO. 64C91						
					FED. ROAD DIST. NO. 2 [ILLINOIS] FED. AID PROJECT										