

F.A.P. RTE.	SECTION	COUNTY	TOTAL SHEETS	SHEET NO.
654	(107, 108, 109)RS-4	STEPHENSON	89	1
FED. ROAD DIST. NO. 2	ILLINOIS	CONTRACT NO. 64C91		

STATE OF ILLINOIS
DEPARTMENT OF TRANSPORTATION
DIVISION OF HIGHWAYS

PROPOSED HIGHWAY PLANS

FAP ROUTE 654 (IL 73)
SECTION (107,108,109)RS-4
PROJECT F-0654(018)
STEPHENSON COUNTY

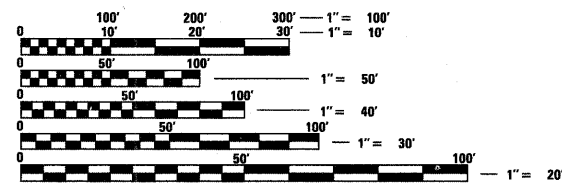
C-92-090-07



PROJECT ENGINEER: MASOOD AHMAD, 815-284-5510

PROJECT MANAGER: MAT DOBIE

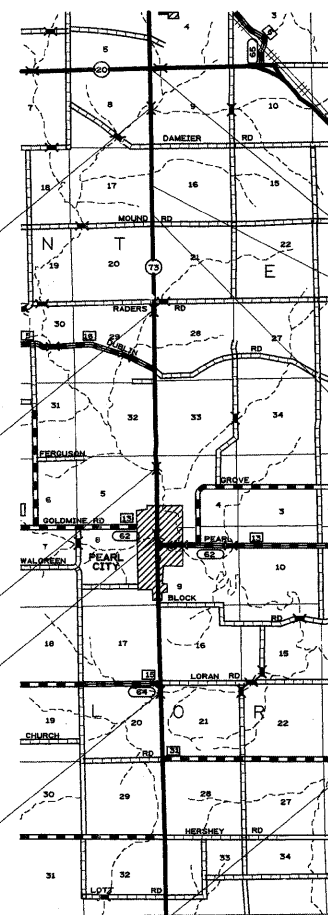
FOR INDEX OF SHEETS, SEE SHEET NO. 2
FOR STANDARDS, SEE SHEET NO. 2



FULL SIZE PLANS HAVE BEEN PREPARED USING STANDARD ENGINEERING SCALES. REDUCED SIZED PLANS WILL NOT CONFORM TO STANDARD SCALES. IN MAKING MEASUREMENTS ON REDUCED PLANS, THE ABOVE SCALES MAY BE USED.

J.U.L.I.E.
JOINT UTILITY LOCATION INFORMATION FOR EXCAVATION
1-800-892-0123
OR 811

KENT TOWNSHIP SECTIONS 8,9,16,17,20,21,28,29,32,33
LORAN TOWNSHIP SECTIONS 4,5,8,9,16,17,20,21,28,29,32,33
CONTRACT NO. 64C91



BRIDGE OMISSION STR. NO. 089-0068
STA. 551+63 TO STA. 552+76

IMPROVEMENT ENDS
STA. 578+00

CULVERT STA. 486+64
EXISTING 6' X 4' BOX TO BE REPLACED
WITH A PRECAST 10' X 3' BOX
EX STR. NO. 089-1034
PROP STR. NO. 089-1107

BRIDGE STR. NO. 089-0053
STA. 416+38 TO STA. 417+48
HMA SURFACE REMOVAL AND
RESURFACING WITH SHEET
WATERPROOFING MEMBRANE SYSTEM

CULVERT STA. 481+04
EXISTING 8' X 3' BOX TO BE ELIMINATED
EX STR. NO. 089-1035

BRIDGE OMISSION STR. NO. 089-0069
STA. 306+11 TO STA. 307+45

BRIDGE OMISSION STR. NO. 089-2017
STA. 258+32 TO STA. 259+22

IMPROVEMENT BEGINS
STA. 0+00

BRIDGE OMISSION STR. NO. 089-0070
STA. 154+03 TO STA. 155+05

STEPHENSON CO.
CARROLL CO.

GROSS LENGTH OF PROJECT = 57800 FT = 10.95 MI
NET LENGTH = 57321 FT = 10.85 MI

STATE OF ILLINOIS
DEPARTMENT OF TRANSPORTATION
DIVISION OF HIGHWAYS

SUBMITTED *Oct 17* 20 *08*

Greg F. Poma
DEPUTY DIRECTOR OF HIGHWAYS, REGION ENGINEER

December 5, 20 08

Eric E. Harnett
SENIOR ENGINEER OF DESIGN AND ENVIRONMENT

December 5, 20 08

Christine M. Reed
DIRECTOR OF HIGHWAYS, CHIEF ENGINEER

**PRINTED BY THE AUTHORITY
OF THE STATE OF ILLINOIS**

INDEX OF SHEETS, STATE STANDARDS

INDEX OF SHEETS

- 1 COVER SHEET
- 2 INDEX OF SHEETS & STANDARDS
- 3-4 GENERAL NOTES
- 5-8 SUMMARY OF QUANTITIES
- 9-18 TYPICAL SECTIONS
- 19-21 HMA SCHEDULE
- 22-28 PATCHING SCHEDULE
- 29-30 ENTRANCE SCHEDULE
- 31-35 SCHEDULE OF QUANTITIES
- 36-38 HORIZONTAL & VERTICAL CONTROL SHEETS
- 39-40 STAGING & TRAFFIC CONTROL SHEETS
- 41-62 PLAN AND PROFILE SHEETS
- 63-64 EROSION/ROW/EASEMENT/SEEDING/DRAINAGE SHEETS
- 65-66 BORING LOGS
- 67-68 CULVERT DETAILS
 - 69 HOT-MIX ASPHALT SHOULDERS (23.4d)
 - 69 SLOPE WALL FOR FIELD TILE OUTLETS (DIST STD 28.4)
 - 69 PAVEMENT PATCHING FOR HOT-MIX ASPHALT SURFACED PAVEMENT (DIST STD 32.4)
 - 69 DELINEATOR AND POST (37.4)
 - 70 TYPICAL BENCHING DETAIL ON EXISTING EMBANKMENT (DIST STD 50.4)
 - 70 LETTERING FOR NAME PLATE (DIST STD 89.4)
 - 70 RUMBLE STRIP RESURFACING (DIST STD 91.4)
 - 70 SUBGRADE REPLACEMENT (DIST STD 97.4)
 - 71 STOP LINE SIGN FOR TEMPORARY SIGNALS (DIST STD 99.4)
 - 71 EROSION CONTROL DETAILS FOR SILT FENCE (29.2)
 - 72 FIELD TILE JUNCTION VAULTS (DIST STD 30.2)
 - 72 TREATMENT OF FIELD TILE SYSTEMS UNDER DITCHES (DIST STD 31.2)
 - 73 INFORMATIONAL WARNING SIGNS (FOR NARROW TRAVEL LANES) (DIST STD 39.2)
 - 73 HOT-MIX ASPHALT APPROACHES AND MAILBOX RETURNS FOR TWO LIFT (DIST STD 47.2)
 - 74 WITNESS MARKER & PERMANENT SURVEY MARKERS, TYPE II (66.2)
 - 74 ROUGH GROOVED SURFACE SIGN (DIST STD 91.2)
 - 75 STORM WATER POLLUTION PREVENTION PLAN EROSION CONTROL PLAN (2.1)
- 76-77 TYPICAL PAVEMENT MARKINGS (41.1)
- 78-89 CROSS SECTIONS

STATE HIGHWAY STANDARDS

- 000001-05 STANDARD SYMBOLS, ABBREVIATIONS AND PATTERNS
- 001001-02 AREAS OF REINFORCEMENT BARS
 - 001006 DECIMAL OF AN INCH AND OF A FOOT
- 280001-04 TEMPORARY EROSION CONTROL SYSTEMS
- 420001-07 PAVEMENT JOINTS
- 420701-02 PAVEMENT FABRIC
- 442101-07 CLASS B PATCHES
- 442201-03 CLASS C & D PATCHES
- 482001-02 HMA SHOULDER ADJACENT TO FLEXIBLE PAVEMENT
- 515001-03 NAME PLATE FOR BRIDGES
- 542401-01 METAL END SECTION FOR PIPE CULVERTS
- 635001-01 DELINEATORS
- 666001-01 RIGHT-OF-WAY MARKERS
- 667101-01 PERMANENT SURVEY MARKERS
- 701001-02 OFF-ROAD OPERATIONS, MULTI-LANE, LESS THAN 15' TO EDGE OF PAVEMENT
- 701006-03 OFF-ROAD OPERATIONS, 2L, 2W, 15' TO 24' FROM EDGE OF PAVEMENT
- 701011-02 OFF-ROAD MOVING OPERATIONS, 2L, 2W, DAY ONLY \geq 45MPH
- 701201-03 LANE CLOSURE, 2L, 2W, DAY ONLY, FOR SPEEDS \geq 45 MPH
- 701301-03 LANE CLOSURE, 2L, 2W, SHORT TIME OPERATIONS
- 701306-02 LANE CLOSURE, 2L, 2W, SLOW MOVING OPERATIONS, DAY ONLY, FOR SPEEDS $>$ 45 MPH
- 701311-03 LANE CLOSURE, 2L, 2W, MOVING OPERATIONS - DAY ONLY
- 701321-10 LANE CLOSURE, 2L, 2W, BRIDGE REPAIR WITH BARRIER
- 701326-03 LANE CLOSURE, 2L, 2W, PAVEMENT WIDENING, FOR SPEEDS \geq 45 MPH
- 701901-01 TRAFFIC CONTROL DEVICES
- 704001-05 TEMPORARY CONCRETE BARRIER
- 720011-01 METAL POSTS FOR SIGNS, MARKERS AND DELINEATORS
- 728001-01 TELESCOPING STEEL SIGN SUPPORT
- 729001-01 APPLICATIONS OF TYPE A AND B METAL POSTS (FOR SIGNS AND MARKERS)
- 780001-02 TYPICAL PAVEMENT MARKINGS
- 781001-03 TYPICAL APPLICATIONS RAISED REFLECTIVE PAVEMENT MARKERS
- 886001-01 DETECTOR LOOP INSTALLATIONS
- 886006-01 TYPICAL LAYOUT FOR DETECTION LOOPS

FILE NAME =	USER NAME = dossdd	DESIGNED -	REVISED -	STATE OF ILLINOIS DEPARTMENT OF TRANSPORTATION	IL 73	F.A.P. RTE.	SECTION	COUNTY	TOTAL SHEETS	SHEET NO.	
ct\pw\work\PWID01\DOSSDD\dms33571\d02967evr.dgn		DRAWN -	REVISED -			654	*	STEPHENSON	89	2	
PLOT SCALE = 52.9412' / IN.		CHECKED -	REVISED -			CONTRACT NO. 64C91					
PLOT DATE = Wed Sep 24 07:37:14 2008		DATE -	REVISED -			SCALE:	SHEET NO.	OF	SHEETS	STA.	TO STA.

GENERAL NOTES

ROUTE NO.	SEC.	COUNTY	TOTAL SHEETS	SHEET NO.
FAP 654 (IL 73)	(107, 108, 109)RS-4	Stephenson	89	3
FED ROAD DIST. NO.	ILLINOIS	PROJECT		
Contract #64C91				

See cross sections for special ditches and backslopes.

The final top 100 mm (four inches) of soil in any right-of-way area disturbed by the Contractor must be capable of supporting vegetation. The soil must be from the A horizon (zero to 2' deep) of soil profiles of local soils.

All Borrow/Waste/Use sites must be approved by the Department prior to removing any material from the project or initiating any earthmoving activities, including temporary stockpiling outside the limits of construction.

The Contractor shall seed all disturbed areas within the project limits. Seeding Class 4 or 2A shall be used, except in front of properties where the grass will be mowed, then use Seeding, Class 1. Class 2A shall be used on front slopes and ditch bottoms. Class 4 shall be used behind Type A gutter, on all backslopes and areas behind the backslope, and beyond the toe of front slope on fill sections without ditches.

Fertilizer Nutrients shall be applied at the rate specified in Sections 250 and 252 of the Standard Specifications. This shall be included in the cost of the SEEDING or SODDING.

Placement and compaction of the backfill for proposed across road culverts and existing across road culverts that are removed shall conform to Section 502.10 of the Standard Specifications, except that the material shall conform to Article 208.02 of the Standard Specifications, and shall be compacted to a minimum of 95% of the standard laboratory density. Any material conforming to the requirements of Article 1003.04 or 1004.05 which has been excavated from the trenches shall be used for backfilling the trenches. The entire excavation, within 2 feet outside of each shoulder, shall be backfilled with trench backfill material to the bottom of the proposed subgrade. This trench backfill material will not be measured for payment, but shall be included in the contract unit price for the class of concrete involved or other unit price item of the work for which it is required.

Closed expansion joints on jointed pavements shall be re-established during the patching operations. Class B Patches - when the pavement requires patching at the location of the expansion joint, a new joint should be established using a dowelled expansion patch as shown on Highway Standard 442101. When the joint is closed, but does not require patching, an expansion joint may be formed by sawing the pavement and filling the saw cut with a preformed expansion joint filler meeting the requirements of Section 1051 of the Standard Specifications as shown on Standard 420001.

When laying out for patching, the minimum distance between new patches (saw cut to saw cut) shall be 4.6 m (15 feet). When patch spacing is less than 4.6 m (15 feet), the pavement between patches shall also be removed and replaced.

All mandatory joint sealing for Class A, Class B, and Class B (Hinge Jointed) patches as shown on the plans will not be measured for payment. Optional sawing of the joint for the sealant reservoir will not be measured for payment.

For all concrete patching that will not be resurfaced, the concrete shall be struck off flush with the existing pavement surface at each end of the patch.

The Engineer reserves the right to check all patches for smoothness by the use of a 10' rolling straight edge set to a 3/16" tolerance in the wheel paths. Any patch areas higher than 3/16" must be ground smooth with an approved grinding device consisting of multiple saws. The use of bushhammer or other impact devices will not be permitted. Any patch with depressions greater than 3/16" shall be repaired in a manner approved by the Engineer.

The mandatory saw cuts for pavement patching are:

Class A Patch: Cut two transverse saw cuts at each end of the patch; one full depth and one partial depth. The longitudinal edges of the patch shall be cut full depth. When the patch is adjacent to a pcc shoulder, two saw cuts along the shoulder will be required.

Class B Patch: Cut two transverse saw cuts outlining the patch and one transverse pressure relief saw cut. The longitudinal edges of the patch shall be cut full depth. When the patch is adjacent to a pcc shoulder, two saw cuts along the shoulder will be required.

The mandatory saw cuts will be paid for at the contract unit price per Meter (Foot) for SAW CUTS.

The minimum patch dimension for full-depth patches will be 1.2 m (four feet) and half-lane width. Half-lane patches shall be confined to the outside edges of the pavement.

The existing hot-mix asphalt on private and commercial entrances shall be bladed off or milled and disposed of outside the project limits. This could be the entire entrance or tapered at the end depending on if the mainline is resurfaced or milled and resurfaced. The cost of the blading, milling, rolling, and disposal is included in the contract unit price for INCIDENTAL HOT-MIX ASPHALT SURFACING.

The drop off that occurs at entrance edges as a result of resurfacing of the entrance shall be corrected using aggregate shoulder material. This work shall be paid for by the TON for Aggregate Shoulders of the type specified in the plans.

Milling machines on this project shall be capable of removing a layer of bituminous a minimum 6' wide and 1-1/2 inches in depth in a single pass.

The following Mixture Requirements are applicable for this project:

Mixture Uses(s):	Surface, Special	Level Binder	Binder	Top Shoulder	Bottom Shoulder
PG:	PG 64-22	PG 64-22	PG 64-22	PG 58-22	PG 58-22
Design Air Voids	4.0 @ N50	4.0 @ N50	4.0 @ N50	3 @ N50	2 @ N50
Mixture Composition (Gradation Mixture)	IL 9.5 or 12.5	IL 9.5	IL 19.0	IL 9.5 or 12.5	BAM
Friction Aggregate	C	N/A	N/A	C	N/A
20 Year ESAL	1.6	1.6	1.6	N/A	N/A
Mix Unit Weight	112 lbs/sy/in			112 lbs/sy/in	

Top two lifts of full-depth pavement will have SBS PG 64-28 when over 500 tons

The Contractor will be required to furnish 140 mm (5 1/2") high brass stencils as approved by the Engineer and install stationing at 250' intervals. Stationing shall be placed on both lanes of 2-lane highways and on the outside lanes in both directions on 4-lane highways. The stations shall be placed 150 mm (6") inside the pavement marking edge so they can be read from the shoulder. This work will be included in the cost of the final pavement surface.

The area to be primed shall be limited to that which can be covered with HMA the same day, unless otherwise permitted by the Engineer.

Reflective Crack Control shall be placed on the existing surface prior to any resurfacing, unless pavement is milled then it will be placed on the binder course.

The Contractor shall replace the parking lane striping to match the existing.

The Contractor shall contact Rob Knoup, Village of Pearl City, at 815/541-0464 for guidance on parking lane lay out in Pearl City prior to striping the parking lanes.

The Contractor shall clear the ends of the CMP at PE R 490+00 of silt and any other debris which might impede free flow. This work shall be included in the price of EARTH EXCAVATION.

To help avoid excess drop offs at the edge of pavement, the existing aggregate wedge or shoulder is to be pulled up and rolled to match the edge of pavement before placing any bituminous material. All costs associated with pulling up the shoulders shall be considered included in the contract unit price per TON for HOT-MIX ASPHALT SURFACE COURSE of the type specified.

The new number for this structure will be 089-1107.

GENERAL NOTES

ROUTE NO.	SEC.	COUNTY	TOTAL SHEETS	SHEET NO.
FAP 654 (IL 73)	(107, 108, 109)RS-4	Stephenson	89	4
FED ROAD DIST. NO.	ILLINOIS	PROJECT		
Contract #64C91				

The contractor shall submit four copies of the required shop drawings for review and approval to the Bureau of Bridges and Structures, 2300 South Dirksen Parkway, Springfield, IL 62764. After approval of initial submittal, the contractor shall submit one set of shop drawings to Dave Lippert, Engineer of Materials, 126 East Ash Street, Springfield, IL 62706, and eight (8) sets of shop drawings to be distributed to:

- District 2 District Engineer (1)
- Fabricator (1)
- Contractor (2)
- Resident Engineer (2)
- District 2 Bureau of Materials (2)

The review and approval of temporary sheet piling will require 4 to 6 weeks. The Contractor shall schedule his work accordingly.

The boring logs for this structure indicate that groundwater levels may encroach on the construction limits of this culvert. It shall be the responsibility of the contractor to control the ground water and divert the stream flow during construction in order to keep the construction area free of water. The method of controlling the water shall be subject to approval of the Engineer and the cost shall be included in the contract unit price for Precast Concrete Box Culverts.

Culvert & bridge flows must be maintained throughout the project. Normal flow shall be allowed to pass at the rate it enters the jobsite. High flows shall be allowed to pass without causing damage to upstream properties.

Box culverts that are stage constructed and undercut by more than 600 mm (2 feet) shall have lean concrete placed on the rock fill at the stage line. The concrete shall retain the rock fill until the second stage rock fill is placed. This work will be included in the pay item for the type of rock fill used.

The proposed pipes for entrances and side roads shall be placed in line with the existing or proposed ditch line.

Connecting bands for corrugated metal pipes shall be metal and shall be coated with the same material as the pipe sections. The connecting bands shall be a minimum of 18" wide.

If, during the grinding or resurfacing operations, the existing mailboxes become a hindrance, the Contractor shall be required to carefully remove and reinstall the mailboxes as directed by the Engineer. This work shall be included in the contract unit price for the INCIDENTAL HOT-MIX ASPHALT SURFACING.

Where field tile is encountered, storm sewer or pipe drain will be used in accordance with Section 611. The minimum size for replacement will be 150 mm (6") for Pipe Drains and 200 mm (8") for Storm Sewer, but the size must be at least 50 mm (2") larger than the adjoining tile. A Field Tile Junction Vault will be constructed at the right of way to connect the tile and storm sewer. See the Summary of Quantities for the estimated quantities.

Delineators shall be installed as shown in Standard 635001, except that the post shall be rotated 180° and only metal-backed delineators shall be permitted.

Pavement Marking shall be done according to Standard 780001, except as follows:

1. All words, such as ONLY, shall be 2.4 m (8 feet) high.
2. All non-freeway arrows shall be the large size.
3. The distance between yellow no-passing lines shall be 200 mm (8"), not 180 mm (7") as shown in the detail of Typical Lane and Edge Lines.

PERMANENT SURVEY MARKERS, TYPE II, shall be set at intervals of 1.6 Km (1 mile) or as directed by the Engineer. Bridge or culvert projects shall have one survey marker placed near the structure. Estimated: 3 Each.

Permanent Survey Markers, Type II shall be cast-in-place as shown on District Standard 66.2. The bottom of the marker shall be 5'-0" below the ground surface.

The Contractor shall submit to the Engineer a description of location, elevation, and coordinates for each permanent survey marker. The horizontal and vertical coordinates must be derived by GPS and the elevation derived by a closed level circuit. The Engineer shall submit this information to the Survey Crew.

The temporary concrete barrier shall be anchored to the pavement with 6 anchors per section at the following locations:

(See Staging Plans for locations)

Right-of-way markers will be erected with the back face of the marker on the right-of-way line unless the new right-of-way line has been surveyed and pinned, in which instance the right-of-way markers will be erected 300 mm (12 inches) inside the new right-of-way line.

The Contractor shall be responsible for protecting utility property during construction operations as outlined in Article 107.31 of the Standard Specifications. A minimum of 48 hours advance notice is required for non-emergency work. The JULIE number is 800-892-0123. The following listed utilities located within the project limits or immediately adjacent to the project construction limits are members of JULIE:

Mediacom
Verizon
Frontier/Citizens
Village of Pearl City

Commonwealth Edison Com
NICOR Gas Co.
Alliance Pipeline Co.

The applicable portions of Article 105.07 of the Standard Specification shall apply except for the following: The Contractor shall be responsible to locate the vertical depths of the underground utilities which may interfere with construction operations. This work will not be measured or paid for separately, but shall be considered as included in the unit bid price for the item of construction involved.

Per SB 699 (90 day utility relocation law), once right-of-way is clear to award the project, a notice will be sent to the utility companies instructing them to have their facilities relocated within 90 days. Estimated date relocation complete = Letting Date + 135 days.

CADD data will be available to Contractors and Consultants working on this project. This information will be provided upon request as MicroStation CADD files and Geopak coordinate geometry files ONLY. If data is required in other formats it will be your responsibility to make these conversions. If any discrepancy or inconsistency arises between the electronic data and the information on the hard copy, the information on the hard copy should be used. Contact the District's Project Engineer to request these files.

It shall be the Contractor's responsibility to contact the municipality to determine approved methods of utility structure adjustment. Utility structures may include, but are not limited to, manholes, water valves, handholes, etc. All materials and work necessary to complete adjustments per municipality requirements shall be considered included in the cost of the associated adjustment pay item.

GENERAL NOTES

SUMMARY OF QUANTITIES

CODE NUMBER	ITEM	UNITS	TOTAL	80% Fed 20% Stat RDWY I000	50% STATE 50% CITY RDWY I000	100% CITY RDWY Y060	80% Fed 20% State MINOR STRUCTURE Y007
20200100	EARTH EXCAVATION	CU YD	3330				3330
	AND						
20201200	REMOVAL & DISPOSAL OF UNSUITABLE MATERIAL	CU YD	145				145
* 25000100	SEEDING, CLASS 1	ACRE	0.25				0.25
* 25000210	SEEDING, CLASS 2A	ACRE	0.75				0.75
* 25000310	SEEDING, CLASS 4	ACRE	0.50				0.5
* 25000750	MOWING	ACRE	1				1
25100630	EROSION CONTROL BLANKET	SQ YD	5330				5330
25100900	TURF REINFORCEMENT MAT	SQ YD	352				352
28000250	TEMPORARY EROSION CONTROL SEEDING	POUND	450				450
28000300	TEMPORARY DITCH CHECKS	EACH	24				24
28000400	PERIMETER EROSION BARRIER	FOOT	1909				1909
28000500	INLET AND PIPE PROTECTION	EACH	4				4
28100107	STONE RIPRAP, CLASS A4	SQ YD	69				69
28200200	FILTER FABRIC	SQ YD	69				69
35101400	AGGREGATE BASE COURSE, TYPE B	TON	267				267
40600200	BITUMINOUS MATERIALS (PRIME COAT)	TON	100.6	100.6			
40600300	AGGREGATE (PRIME COAT)	TON	257	257			
40600525	LEVELING BINDER (HAND METHOD), N50	TON	54	54			
40600625	LEVELING BINDER (MACHINE METHOD), N50	TON	9522	9522			
40600895	CONSTRUCTING TEST STRIP	EACH	1	1			
40600982	HOT-MIX ASPHALT SURFACE REMOVAL-BUTT JOINT	SQ YD	1245	1245			

*SPECIALTY ITEMS

FILE NAME =	USER NAME = dossdd	DESIGNED -	REVISED -	STATE OF ILLINOIS DEPARTMENT OF TRANSPORTATION	IL 73	F.A.P. RTE. 654	SECTION *	COUNTY STEPHENSON	TOTAL SHEETS 89	SHEET NO. 5
cd\pwork\PWIDOT\DOSSDD\dms33571\dl02967.cvr.dgn		DRAWN -	REVISED -							
PLOT SCALE = 52.9412' / 1" IN.		CHECKED -	REVISED -							
PLOT DATE = Wed Sep 24 07:37:43 2008		DATE -	REVISED -							
						FED. ROAD DIST. NO.		ILLINOIS FED. AID PROJECT		
								CONTRACT NO. 64C91		

SUMMARY OF QUANTITIES

CODE NUMBER	ITEM	UNITS	TOTAL	80% Fed 20% Stat RDWY I000	50% STATE 50% CITY RDWY I000	100% CITY RDWY Y060	80% Fed 20% State MINOR STRUCTURE Y007
40600985	PORTLAND CEMENT CONCRETE SURFACE REMOVAL-BUTT JOINT	SQ YD	160	160			
40600990	TEMPORARY RAMP	SQ YD	638	638			
40601005	HOT-MIX ASPHALT REPLACEMENT OVER PATCHES	TON	3866	3866			
40603310	HOT-MIX ASPHALT SURFACE COURSE, MIX "C", N50	TON	14452	14452			
40800050	INCIDENTAL HOT-MIX ^{ASPHALT} SURFACING	TON	1071.6	1071.6			
42001200	PAVEMENT FABRIC	SQ YD	199				199
44000158	HOT-MIX ASPHALT SURFACE REMOVAL, 2 1/4"	SQ YD	36832	33481	3351		
44000198	HOT-MIX ASPHALT SURFACE REMOVAL, VARIABLE DEPTH	SQ YD	36098	36098			
44000915	HOT-MIX ASPHALT SURFACE REMOVAL (DECK)	SQ YD	110	110			
44002228	HOT-MIX ASPHALT REMOVAL OVER PATCHES, 7"	SQ YD	9862	9862			
44200168	PAVEMENT PATCHING, TYPE II, 14 INCH	SQ YD	147	147			
44200172	PAVEMENT PATCHING, TYPE III, 14 INCH	SQ YD	60	60			
44200174	PAVEMENT PATCHING, TYPE IV, 14 INCH	SQ YD	287	287			
44201025	CLASS B PATCHES, TYPE IV, 14 INCH	SQ YD	199				199
44213200	SAW CUTS	FOOT	360				360
44300200	STRIP REFLECTIVE CRACK CONTROL TREATMENT	FOOT	115950	115950			
48101200	AGGREGATE SHOULDERS, TYPE B	TON	6295	6000			295
48203020	HOT-MIX ASPHALT SHOULDERS, 5 3/4"	SQ YD	840				840
50100300	REMOVAL OF EXISTING STRUCTURES NO. 1	EACH	1				1
50100400	REMOVAL OF EXISTING STRUCTURES NO. 2	EACH	1				1
51205200	TEMPORARY SHEET PILING	SQ FT	856.4				856.4
51500100	NAME PLATES	EACH	1				1

*SPECIALTY ITEMS

FILE NAME =	USER NAME = dosidd	DESIGNED -	REVISED -	STATE OF ILLINOIS DEPARTMENT OF TRANSPORTATION	IL 73	F.A.P. RTE.	SECTION	COUNTY	TOTAL SHEETS	SHEET NO.	
ct\pw_work\PWIDOT\DOSSDD\dms33571\d02977evr.dgn	PLOT SCALE = 50.0000' / IN.	DRAWN -	REVISED -			654	*	STEPHENSON	89	6	
PLOT DATE = Fri Oct 03 09:06:18 2008	DATE -	CHECKED -	REVISED -			SCALE: SHEET NO. OF SHEETS STA. TO STA.		FED. ROAD DIST. NO. ILLINOIS FED. AID PROJECT CONTRACT NO. 64C91			
		DATE -	REVISED -								

SUMMARY OF QUANTITIES

CODE NUMBER	ITEM	UNITS	TOTAL	80% Fed 20% Stat RDWY 1000	50% STATE 50% CITY RDWY 1000	100% CITY RDWY Y060	80% Fed 20% State MINOR STRUCTURE Y007
54001000	BOX CULVERT END SECTIONS	EACH	2				2
54011003	PRECAST CONCRETE BOX CULVERT 10' X 3'	FOOT	66				66
542D0223	PIPE CULVERTS, CLASS D, TYPE 1 18"	FOOT	92				92
542D1063	PIPE CULVERTS, CLASS D, TYPE 2 18"	FOOT	68				68
54215553	METAL END SECTIONS 18"	EACH	6				6
60255500	MANHOLES TO BE ADJUSTED	EACH	4	3		1	
60265700	VALVE VAULTS TO BE ADJUSTED	EACH	21			21	
60265800	VALVE VAULTS TO BE ADJUSTED (SPECIAL)	EACH	3			3	
61100500	EXPLORATION TRENCH 52" DEPTH	FOOT	1050				1050
61100605	MISCELLANEOUS CONCRETE	CU YD	2				2
61101013	STORM SEWERS PROTECTED, CLASS A, 12"	FOOT	104				104
61133100	FIELD TILE JUNCTION VAULTS, 2' DIA.	EACH	4				4
63200310	GUARDRAIL REMOVAL	FOOT	400				400
63500105	DELINEATORS	EACH	4				4
66411900	TEMPORARY FENCE	FOOT	378				378
66600105	FURNISHING AND ERECTING RIGHT-OF-WAY MARKERS	EACH	15				15
66700305	PERMANENT SURVEY MARKERS, TYPE II	EACH	3				3
70100405	TRAFFIC CONTROL AND PROTECTION, STANDARD 701321	EACH	1				1
67000400	ENGINEER'S FIELD OFFICE, TYPE A	CALMO	6	6			
70103815	TRAFFIC CONTROL SURVEILLANCE	CAL DA	5				5
67100100	MOBILIZATION	L SUM	1	1			
70106500	TEMPORARY BRIDGE TRAFFIC SIGNALS	EACH	1				1
70100450	TRAFFIC CONTROL AND PROTECTION, STANDARD 701201	L SUM	1	1			
70106700	TEMPORARY RUMBLE STRIP	EACH	6				6
70100460	TRAFFIC CONTROL AND PROTECTION, STANDARD 701306	L SUM	1	1			

*SPECIALTY ITEMS

FILE NAME =	USER NAME = doesdd	DESIGNED -	REVISED -	STATE OF ILLINOIS DEPARTMENT OF TRANSPORTATION	IL 73	F.A.P. RTE.	SECTION	COUNTY	TOTAL SHEETS	SHEET NO.	
ct:\pw\work\1001\DOSSDD\dms33571\d0297evr.dgn		DRAWN -	REVISED -			654	*	STEPHENSON	89	7	
PLOT SCALE = 52.9412' / IN.		CHECKED -	REVISED -			CONTRACT NO. 64C91					
PLOT DATE = Wed Sep 24 07:38:28 2008		DATE -	REVISED -			SCALE:	SHEET NO.	OF	SHEETS	STA.	TO STA.

SUMMARY OF QUANTITIES

CODE NUMBER	ITEM	UNITS	TOTAL	80% Fed 20% Stat RDWY 1000	50% STATE 50% CITY RDWY 1000	100% CITY RDWY Y060	80% Fed 20% State MINOR STRUCTURE Y007
70100500	TRAFFIC CONTROL AND PROTECTION, STANDARD 701326	L SUM	1	1			
70300520	PAVEMENT MARKING TAPE, TYPE III 4"	FOOT	1820				1820
70100600	TRAFFIC CONTROL AND PROTECTION, STANDARD 701336	L SUM	1	1			
70300570	PAVEMENT MARKING TAPE, TYPE III 24"	FOOT	48				48
70101800	TRAFFIC CONTROL AND PROTECTION, (SPECIAL)	L SUM	1				1
70301000	WORK ZONE PAVEMENT MARKING REMOVAL	SQ FT	654				654
70300100	SHORT-TERM PAVEMENT MARKING	FOOT	17195	17195			
70400100	TEMPORARY CONCRETE BARRIER	FOOT	325				325
70301000	WORK ZONE PAVEMENT MARKING REMOVAL	SQ FT	1911	1911			
78300100	PAVEMENT MARKING REMOVAL	SQ FT	221				221
* 78001110	PAINT PAVEMENT MARKING - LINE 4"	FOOT	362237	362237			
70400200	RELOCATE TEMPORARY CONCRETE BARRIER	FOOT	325				325
* 78100100	RAISED REFLECTIVE PAVEMENT MARKER	EACH	723	723			
78300200	RAISED REFLECTIVE PAVEMENT MARKER REMOVAL	EACH	653	653			
XX001135	PAVEMENT PATCHING SPECIAL	SQ YD	75.2				75.2
X0712400	TEMPORARY PAVEMENT	SQ YD	133				133
X0322121	SHEET WATERPROOFING MEMBRANE SYSTEM	SQ YD	161	161			
X0919000	TEMPORARY PAVEMENT REMOVAL	SQ YD	133				133
Z0005400	BREAKER-RUN CRUSHED STONE	TON	269				269
Z0013798	CONSTRUCTION LAYOUT	L SUM	1				1
Z0017100	DOWEL BARS	EACH	80				80
Z0025500	FURNISHING AND INSTALLING PROPERTY MARKERS	EACH	2				2
Z0028415	GEOTECHNICAL REINFORCEMENT	SQ YD	494	494			
Z0030250	IMPACT ATTENUATORS, TEMPORARY (NON-REDIRECTIVE), TEST LEVEL 3	EACH	2				2
Z0028700	GRANULAR SUBGRADE REPLACEMENT	CU YD	82	82			
Z0030350	IMPACT ATTENUATORS, RELOCATE (NON-REDIRECTIVE), TEST LEVEL 3	EACH	2				2
Z0040315	PILOT CAR	DAY	14	14			
Z0055100	RUMBLE RESURFACING	SQ YD	92	92			
Z0075300	TIE BARS	EACH	32				32

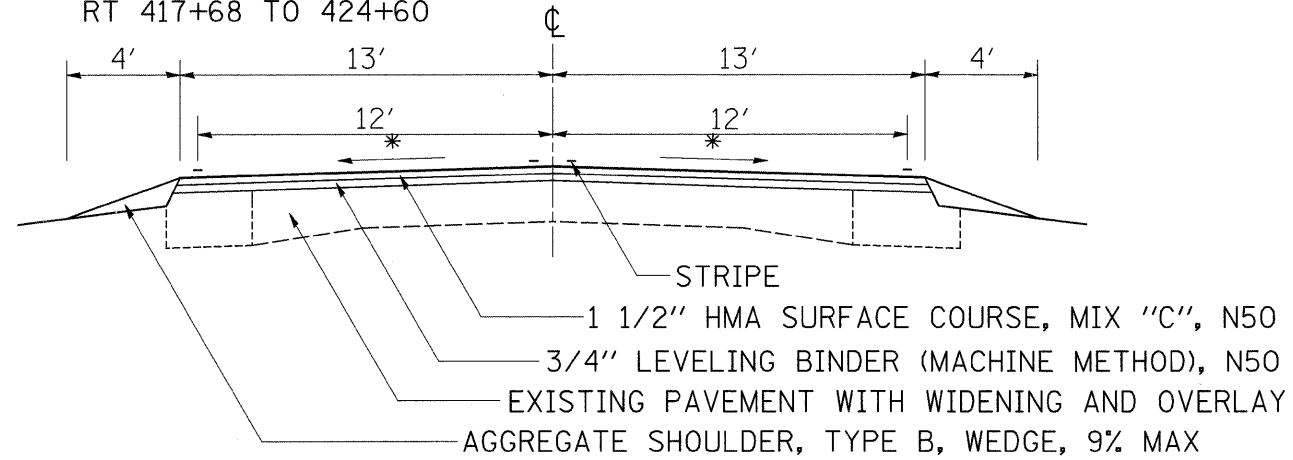
*SPECIALTY ITEMS

FILE NAME =	USER NAME = dossdd	DESIGNED -	REVISED -	STATE OF ILLINOIS DEPARTMENT OF TRANSPORTATION	IL 73	F.A.P. RTE. 654	SECTION *	COUNTY STEPHENSON	TOTAL SHEETS 89	SHEET NO. 8
ct:\pw_work\PWID01\DOSSDD\dms33571\d02967.cvr.dgn	PLOT SCALE = 52.9412' / IN.	CHECKED -	REVISED -			FED. ROAD DIST. NO. ILLINOIS FED. AID PROJECT		CONTRACT NO. 64C91		
PLOT DATE = Wed Sep 24 07:39:06 2008	DATE -	REVISED -	REVISED -	SCALE:	SHEET NO. OF SHEETS	STA.	TO STA.			

TYPICAL SECTIONS

RESURFACING

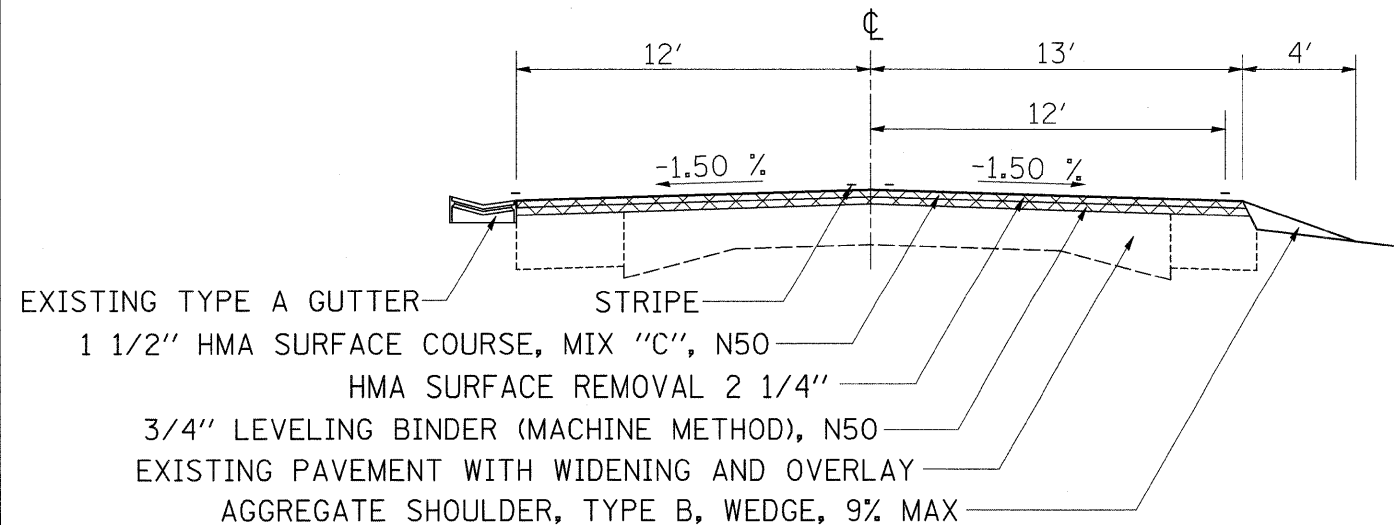
LT & RT 0+45 TO 12+15	RT 449+00 TO 473+70
LT & RT 18+41 TO 56+90	LT & RT 473+70 TO 479+64
LT & RT 62+56 TO 73+00	LT & RT 489+36 TO 491+70
LT & RT 90+30 TO 109+75	RT 491+70 TO 501+30
LT & RT 117+02 TO 153+58	LT & RT 501+30 TO 504+70
LT & RT 155+50 TO 205+98	RT 504+70 TO 508+00
LT & RT 212+90 TO 227+69	LT & RT 508+00 TO 516+30
LT & RT 280+14 TO 304+85	RT 516+30 TO 525+25
LT & RT 308+45 TO 312+66	LT & RT 525+25 TO 541+03
RT 312+66 TO 313+60	LT 541+03 TO 550+02
LT & RT 328+00 TO 336+30	LT & RT 550+02 TO 551+18
RT 349+50 TO 363+20	LT & RT 553+21 TO 554+30
LT 373+30 TO 375+50	LT 554+30 TO 561+12
LT & RT 375+50 TO 393+10	RT 561+12 TO 576+30
RT 393+10 TO 395+90	LT & RT 576+30 TO 577+55
RT 417+68 TO 424+60	



* MAINTAIN EXISTING CROSS-SLOPE, 1% MINIMUM, 1.5% DESIRED

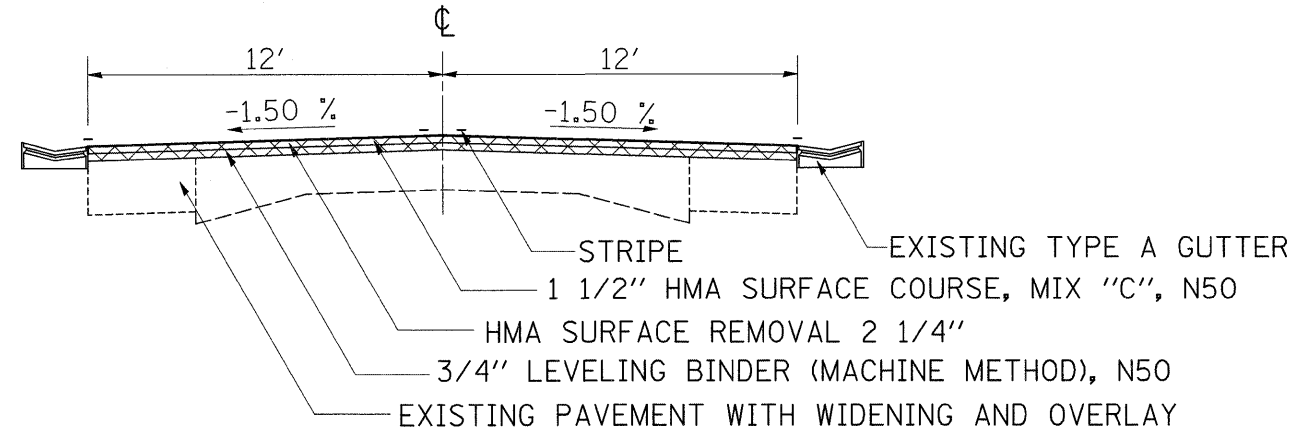
RESURFACING

STA 12+60 TO 17+96	STA 238+80 TO 240+35
STA 115+00 TO 116+57	STA 277+83 TO 279+69
STA 206+43 TO 206+65	STA 491+70 TO 496+94



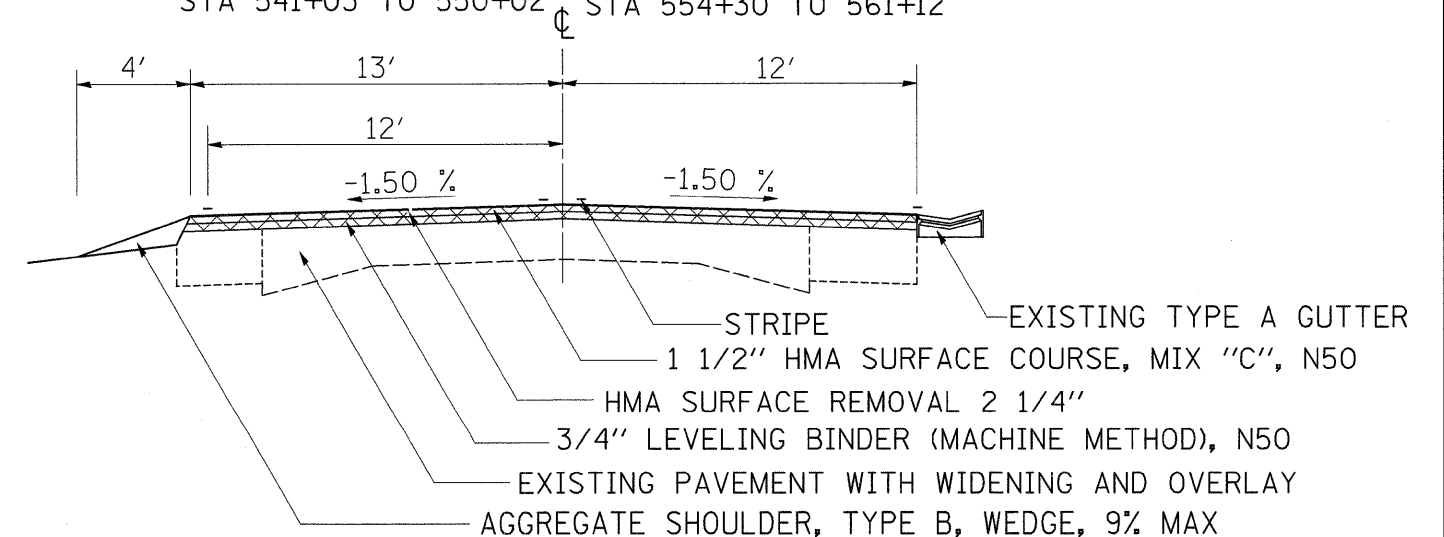
RESURFACING

STA 110+95 TO 115+00	STA 240+35 TO 241+90
STA 206+65 TO 210+69	STA 265+98 TO 277+83
STA 228+14 TO 237+22	



RESURFACING

STA 57+35 TO 62+11	STA 110+20 TO 110+95
STA 73+45 TO 89+85	STA 210+69 TO 212+45
STA 541+03 TO 550+02	STA 554+30 TO 561+12

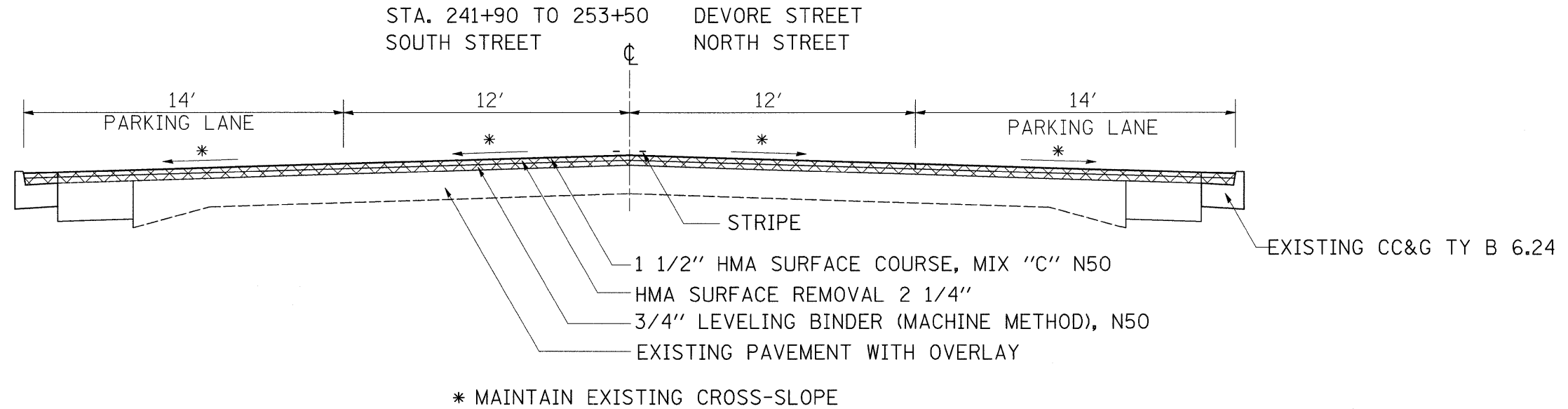


HMA 112 LBS/SY/IN

FILE NAME =	USER NAME = dssdd	DESIGNED -	REVISED -	STATE OF ILLINOIS DEPARTMENT OF TRANSPORTATION	IL 73	F.A.P. RTE.	SECTION	COUNTY	TOTAL SHEETS	SHEET NO.
et\pwork\PWIDOT\DOSSDD\dms33571\082977.dgn	DRAWN -	REVISED -	654			(107, 108, 109)RS-4	STEPHENSON	89	9	
PLOT SCALE = 50.0000' / IN.	CHECKED -	REVISED -	CONTRACT NO. 64C91							
PLOT DATE = Fri Oct 03 08:42:21 2008	DATE -	REVISED -	FED. ROAD DIST. NO. 2 ILLINOIS FED. AID PROJECT							
SCALE:						SHEET NO.	OF	SHEETS	STA.	TO STA.

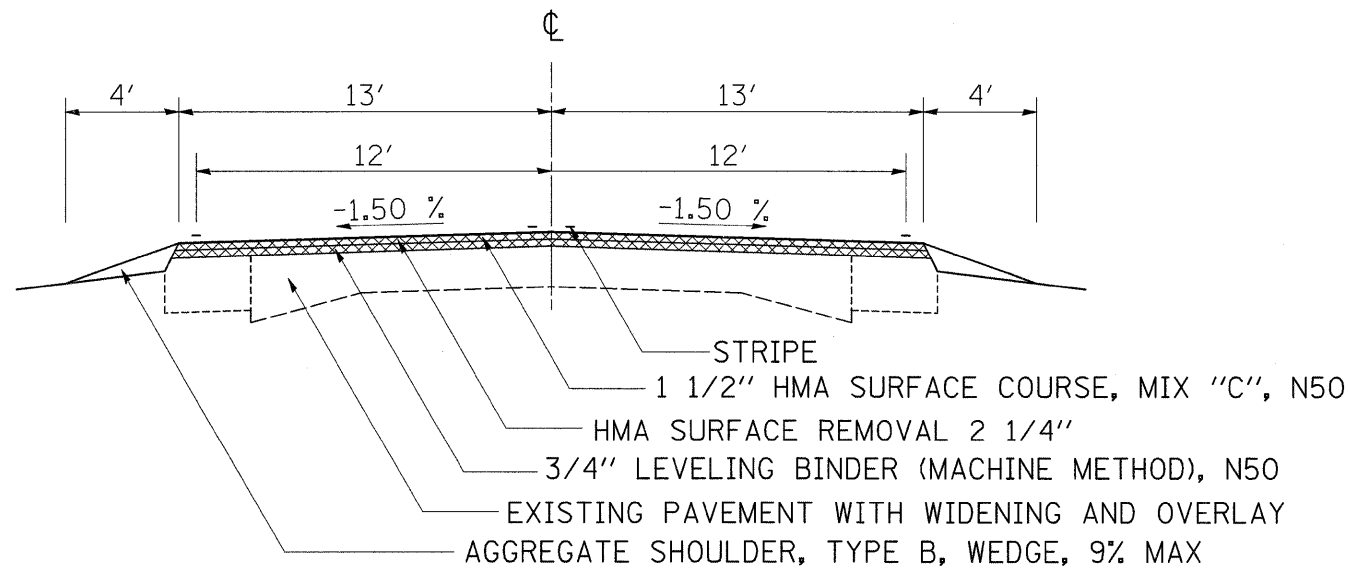
TYPICAL SECTIONS

RESURFACING



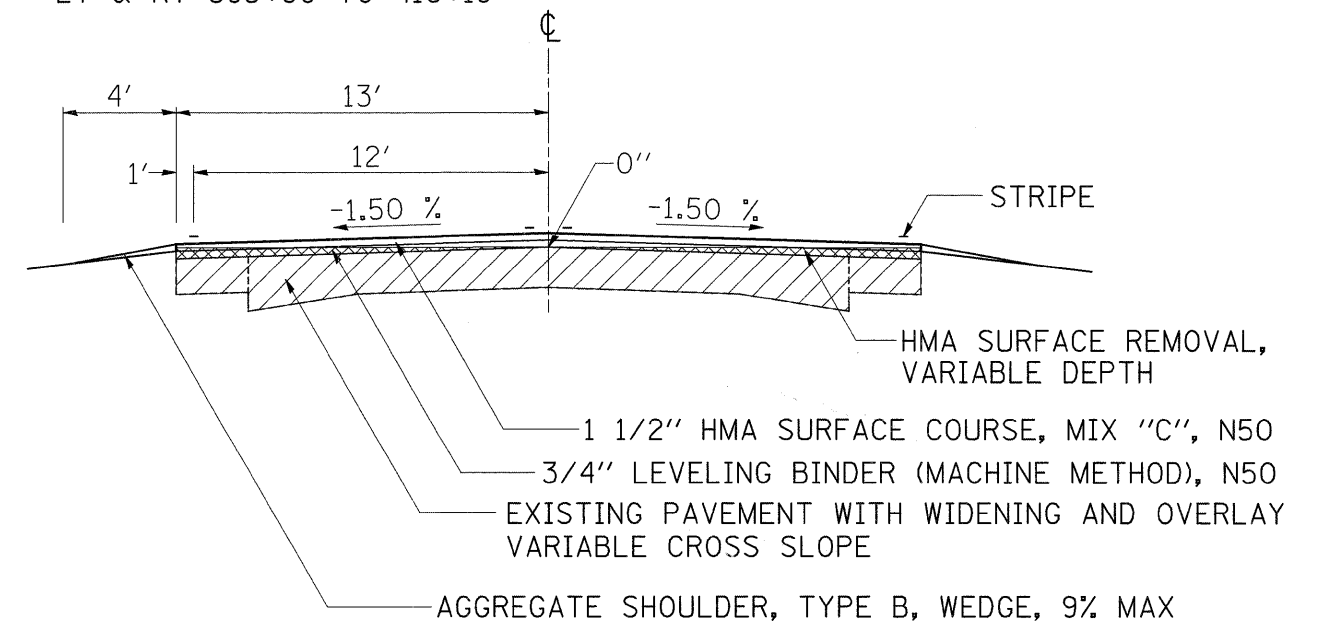
RESURFACING

STA. 237+22 TO 238+80
STA. 253+50 TO 258+32
STA. 259+22 TO 265+98



STATIONS FOR VARIABLE DEPTH MILLING

LT 312+66 TO 313+60	LT 417+68 TO 424+60
LT & RT 313+60 TO 328+00	LT & RT 424+60 TO 449+00
LT & RT 336+30 TO 349+50	LT 449+00 TO 473+70
LT 349+50 TO 363+20	LT 496+94 TO 501+30
LT & RT 363+20 TO 373+30	LT 504+70 TO 508+00
RT 373+30 TO 375+50	LT 516+30 TO 525+25
LT 393+10 TO 395+90	LT 561+12 TO 576+30
LT & RT 395+90 TO 416+18	



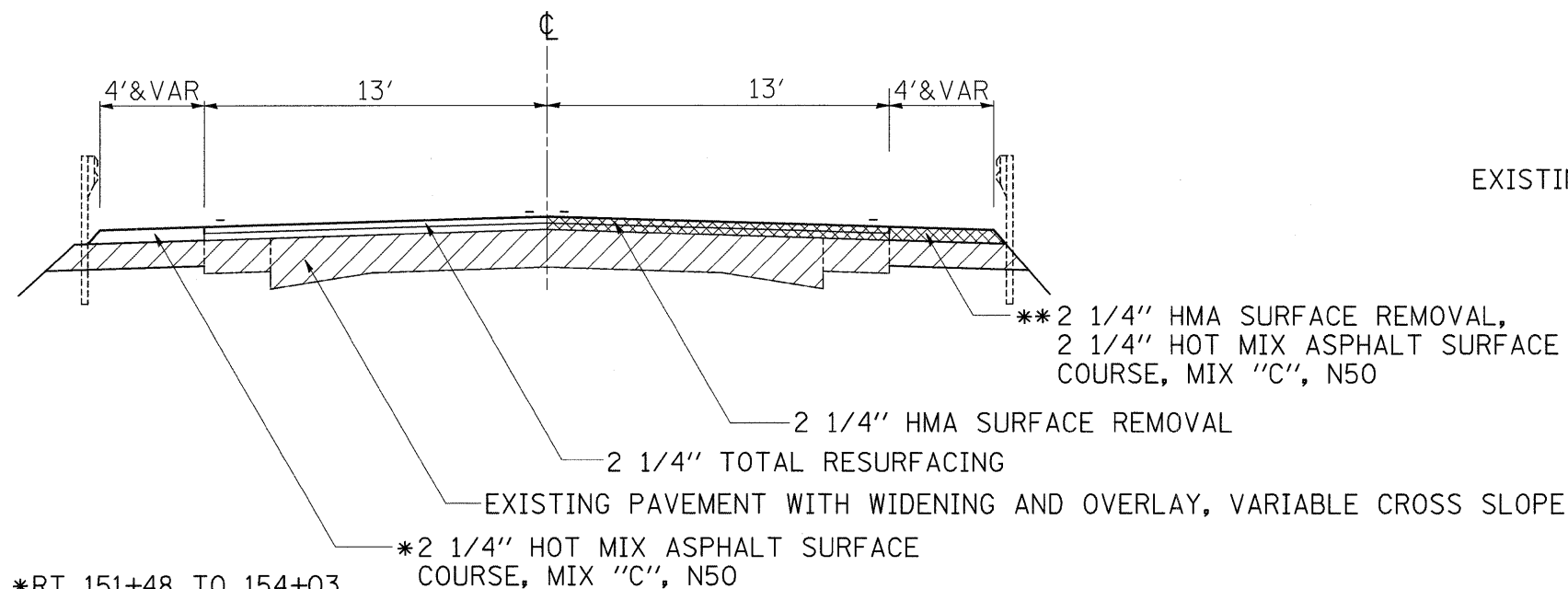
FILE NAME =	USER NAME = dosdd	DESIGNED -	REVISED -	STATE OF ILLINOIS DEPARTMENT OF TRANSPORTATION	IL 73	F.A.P. RTE.	SECTION	COUNTY	TOTAL SHEETS	SHEET NO.	
os:\pwwork\pwwid\DOT\DOSSDD\dms33571\d82967typ.dgn	PLOT SCALE = 50.0000' / IN.	DRAWN -	REVISED -			654	(107, 108, 109)RS-4	STEPHENSON	89	10	
PLOT DATE = Wed Sep 24 09:01:36 2008	DATE -	CHECKED -	REVISED -			CONTRACT NO. 64C91					
						FED. ROAD DIST. NO. 2 [ILLINOIS] FED. AID PROJECT					
				SCALE:	SHEET NO. OF SHEETS	STA. TO STA.					

TYPICAL SECTIONS

SAG CORRECTION TYPICALS

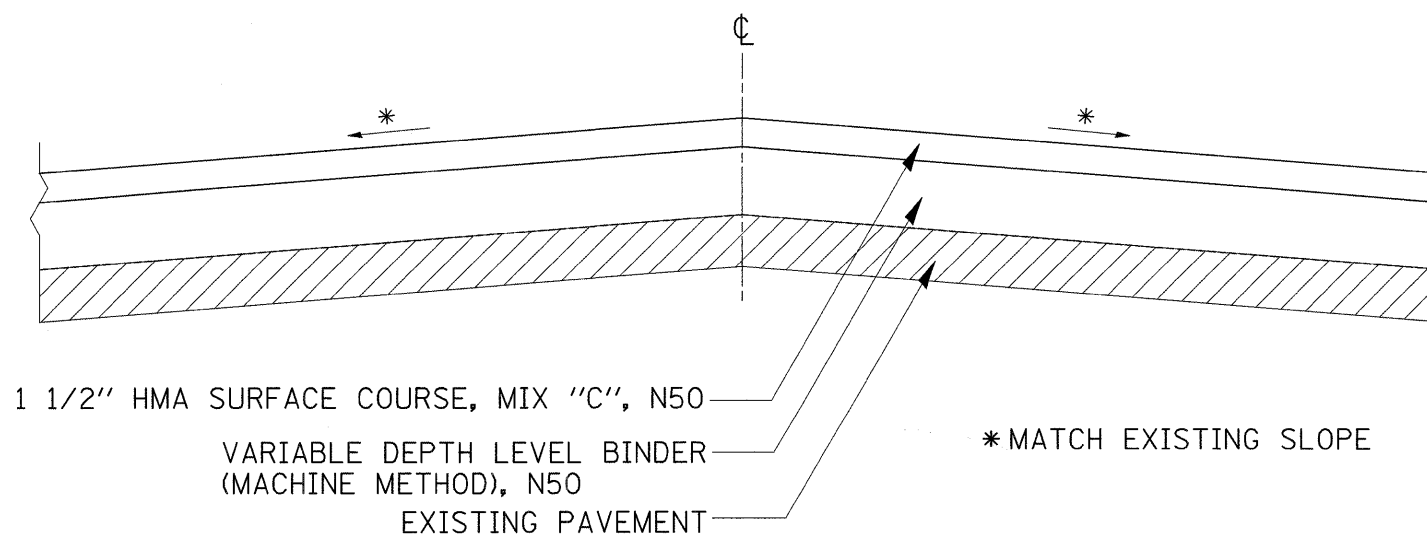
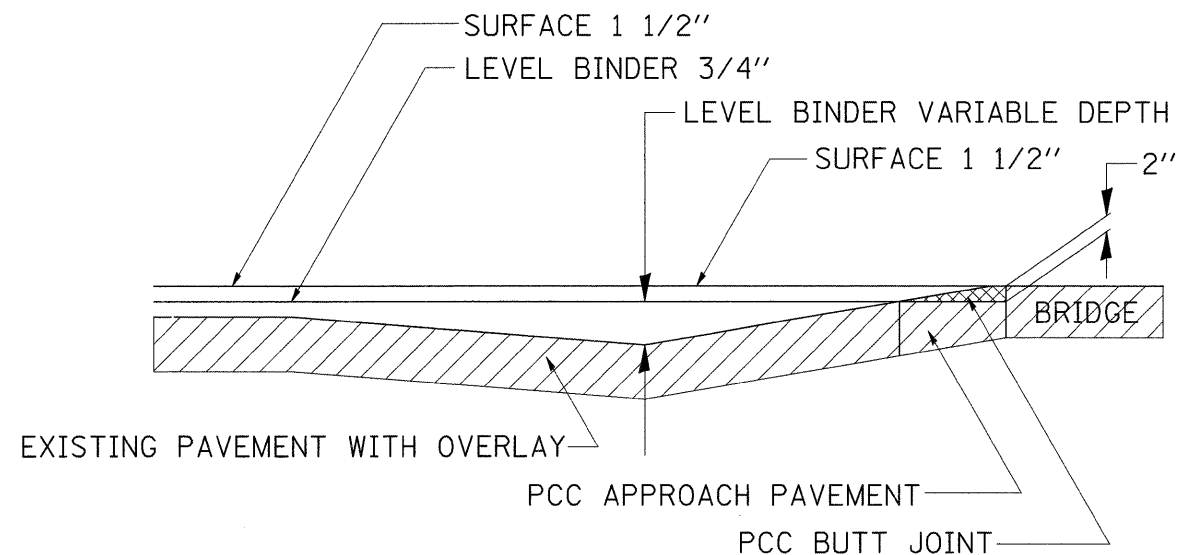
STA. 304+85 TO 306+11
STA. 307+45 TO 308+45

SHOULDER TYPICAL SECTIONS



- * RT 151+48 TO 154+03
- LT 152+30 TO 154+03
- LT 155+05 TO 157+82
- RT 155+05 TO 156+69
- RT 303+70 TO 305+91
- LT 304+44 TO 305+91
- LT 307+65 TO 309+76
- RT 307+65 TO 308+92
- LT & RT 386+08 TO 390+72
- LT & RT 415+52 TO 416+38
- LT & RT 417+48 TO 418+33
- LT & RT 550+47 TO 551+63
- LT & RT 552+76 TO 553+85

- ** LT & RT 257+38 TO 258+32
- LT & RT 259+22 TO 259+70
- LT & RT 550+02 TO 550+47
- LT & RT 553+85 TO 554+30
- RT 554+30 TO 555+00



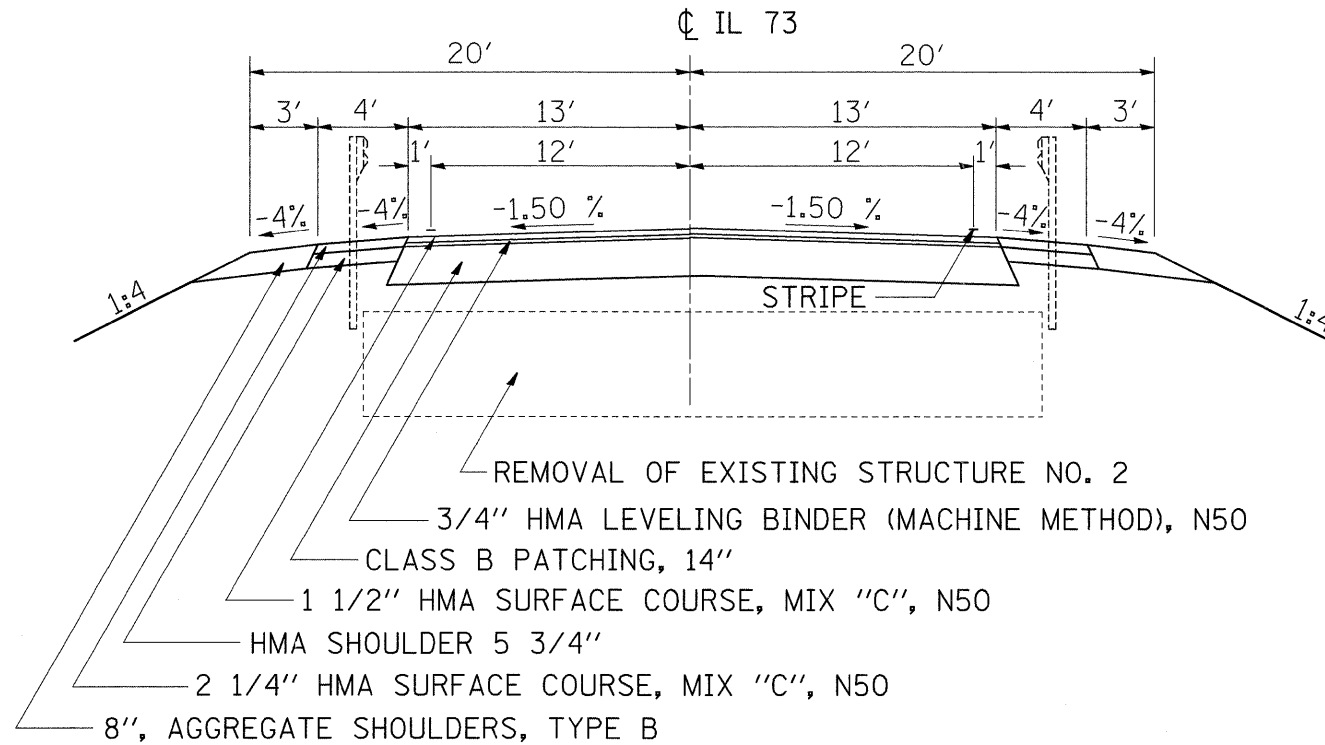
FILL IN SAG FROM STA. 305+20 TO 305+91 AND FROM STA. 307+65 TO 308+35.
(SEE TABLE ON SUMMARY OF QUANTITIES)

FILE NAME =	USER NAME = dosdd	DESIGNED -	REVISED -	STATE OF ILLINOIS DEPARTMENT OF TRANSPORTATION	IL 73				F.A.P. RTE.	SECTION	COUNTY	TOTAL SHEETS	SHEET NO.		
et\pw_work\PWIDOT\DOSSDD\dms33571\d02977.dgn	PLOT SCALE = 50.0000' / IN.	DRAWN -	REVISED -		SCALE:	SHEET NO.	OF	SHEETS	STA.	TO STA.	654	(107, 108, 109)RS-4	STEPHENSON	89	11
	PLOT DATE = Fri Oct 03 08:45:49 2008	CHECKED -	REVISED -		FED. ROAD DIST. NO. 2 [ILLINOIS] FED. AID PROJECT										
		DATE -	REVISED -		CONTRACT NO. 64C91										

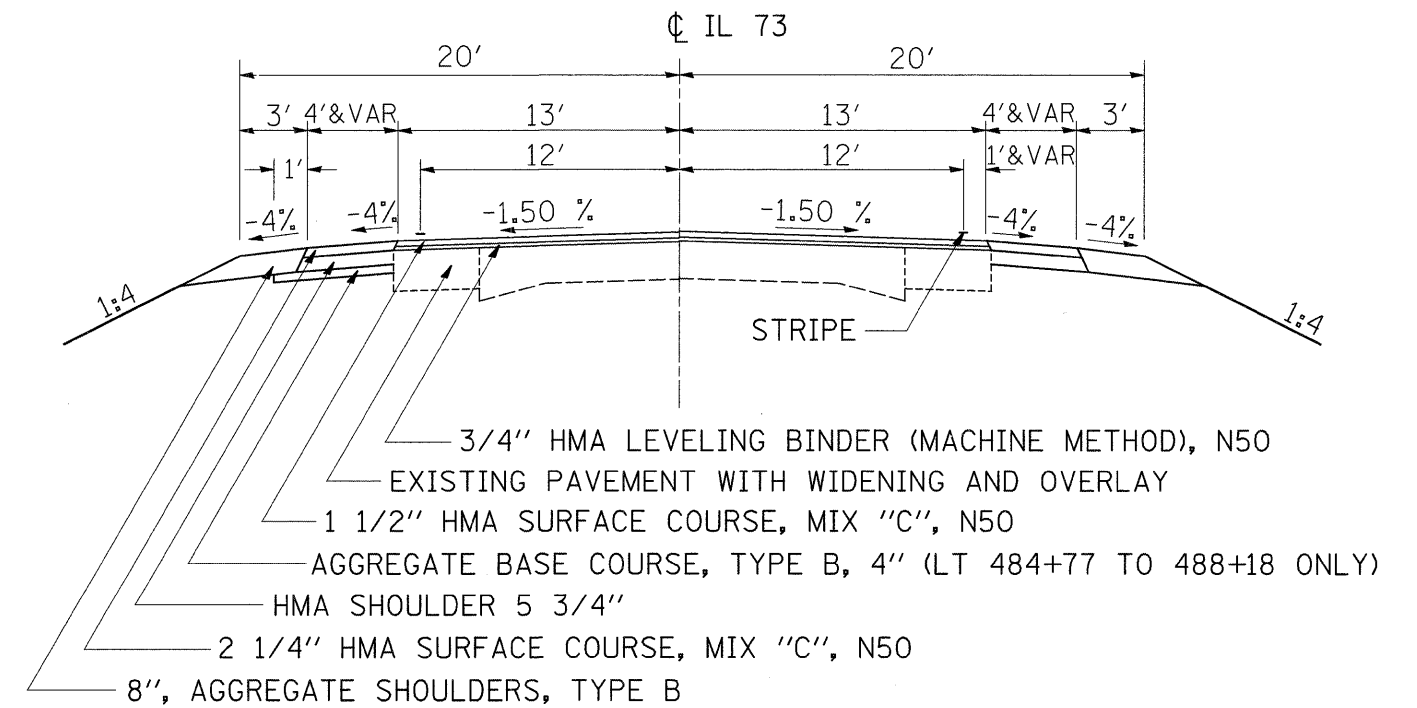
TYPICAL SECTIONS

CULVERT TYPICAL

STA. 481+04



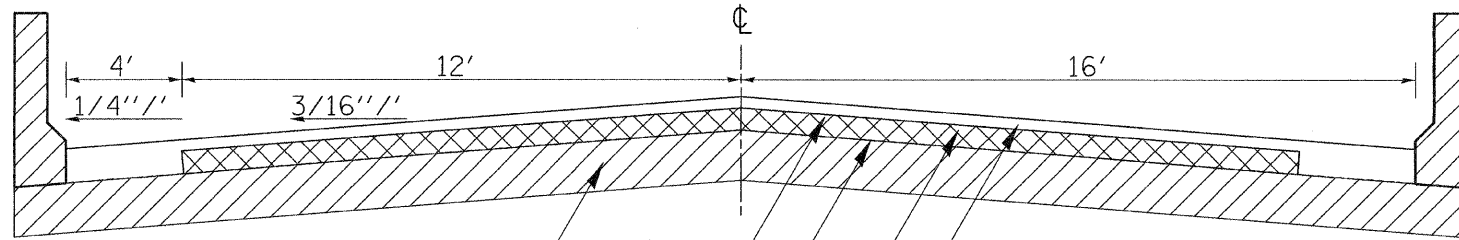
STA. 479+64 TO 489+36



FILE NAME =	USER NAME = doasdd	DESIGNED -	REVISED -	STATE OF ILLINOIS DEPARTMENT OF TRANSPORTATION	IL 73			F.A.P. RTE.	SECTION	COUNTY	TOTAL SHEETS	SHEET NO.			
ct\pwwork\pwwid\DOT\DOSSDD\dms33571\d82967typ.dgn		DRAWN -	REVISED -		SCALE:	SHEET NO.	OF	SHEETS	STA.	TO STA.	654	(107, 108, 109)RS-4	STEPHENSON	89	12
PLOT SCALE = 50.0000' / IN.		CHECKED -	REVISED -												
PLOT DATE = Wed Sep 24 09:08:59 2008		DATE -	REVISED -												
											CONTRACT NO. 64C91		FED. ROAD DIST. NO. 2 [ILLINOIS] FED. AID PROJECT		

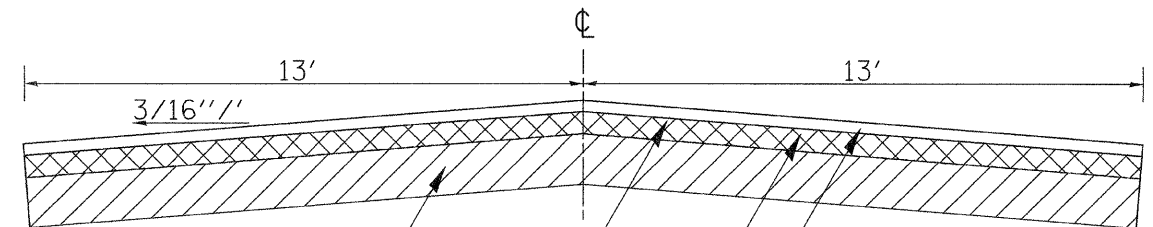
TYPICAL SECTIONS

SN 089-0053
STA. 416+70 TO 417+15

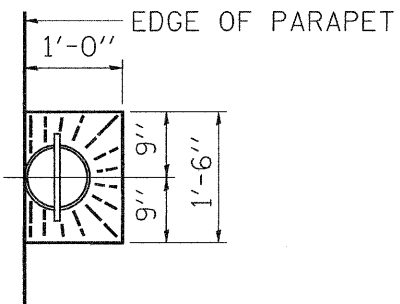


EXISTING BRIDGE DECK
HMA SURFACE REMOVAL (DECK) = APPROX 1"
SHEET WATERPROOFING MEMBRANE SYSTEM
3/4" HMA LEVELING BINDER
1 1/2" HMA SURFACE COURSE, MIX "C", N50

STA. 416+18 TO 416+70
STA. 417+15 TO 417+68

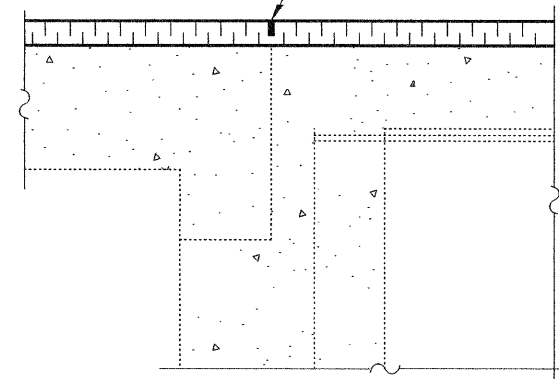


APPROACH PAVEMENT
HMA SURFACE REMOVAL (VAR DEPTH)
3/4" HMA LEVELING BINDER
1 1/2" HMA SURFACE COURSE, MIX "C", N50



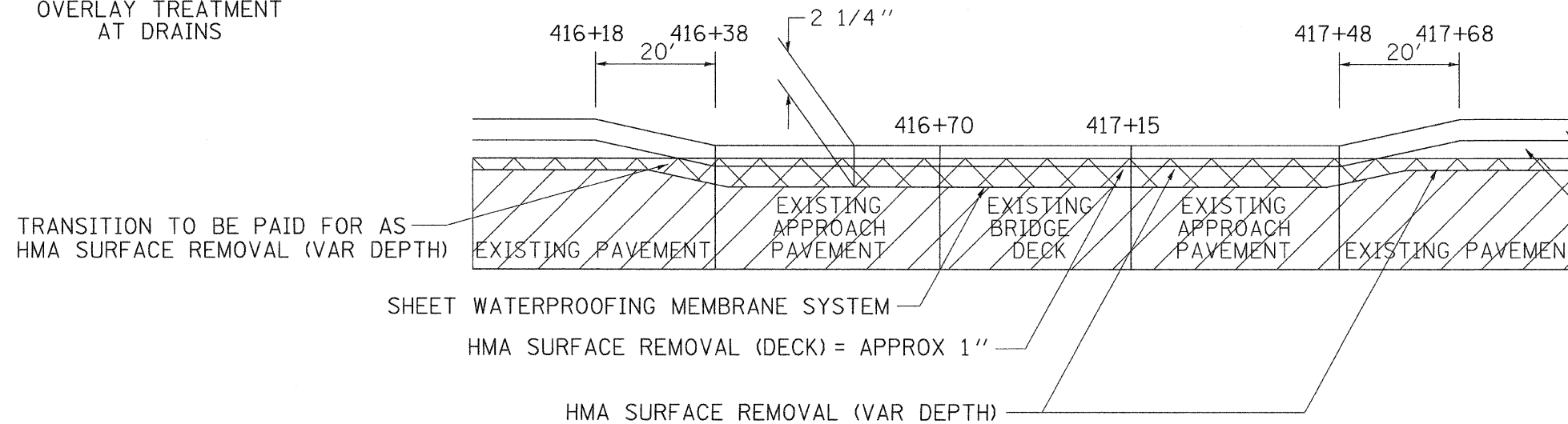
OVERLAY TREATMENT
AT DRAINS

1/4" X 3/4" SAWED
JOINT WITH ELASTIC
JOINT FILLER.



TYPICAL SECTION AT ABUTMENTS

STA. 416+18 TO 417+68



TRANSITION TO BE PAID FOR AS
HMA SURFACE REMOVAL (VAR DEPTH)

SHEET WATERPROOFING MEMBRANE SYSTEM

HMA SURFACE REMOVAL (DECK) = APPROX 1"

HMA SURFACE REMOVAL (VAR DEPTH)

3/4" LEVELING BINDER, N50
1 1/2" HMA SURFACE COURSE,
MIX "C", N50

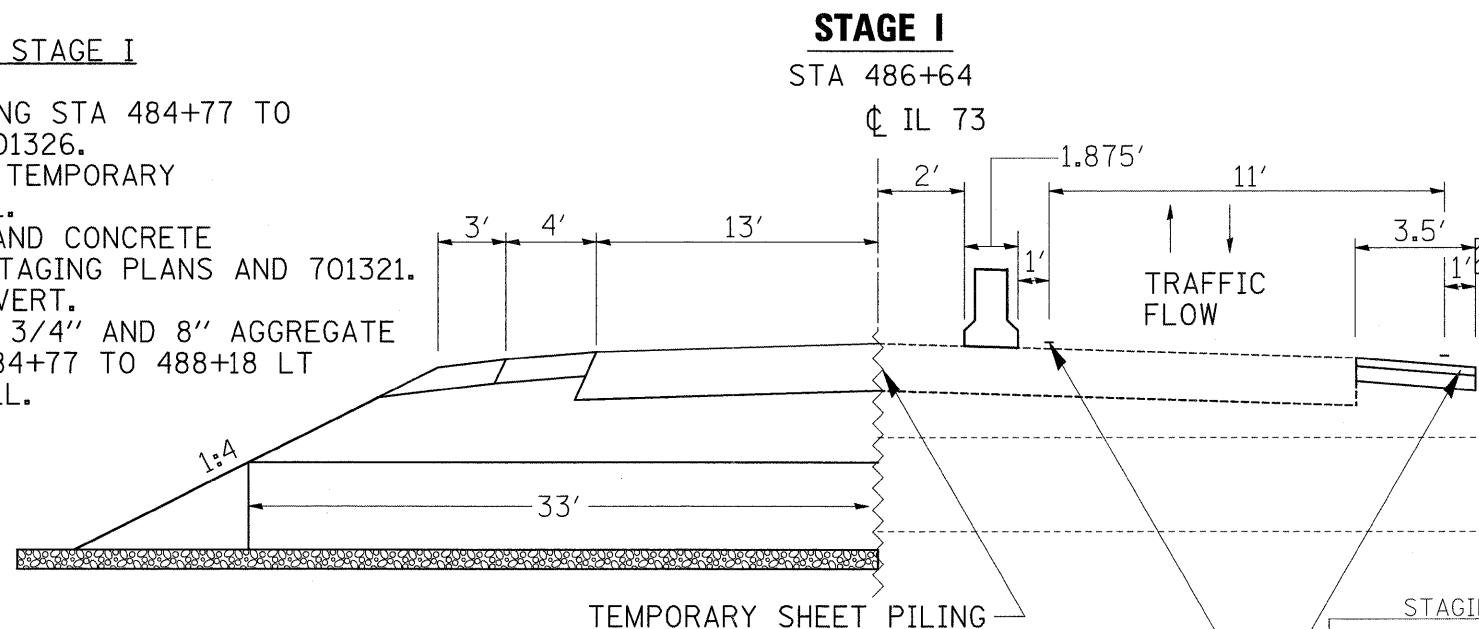
FILE NAME =	USER NAME = #USER#	DESIGNED -	REVISED -	STATE OF ILLINOIS DEPARTMENT OF TRANSPORTATION	IL 73	F.A.P. RTE.	SECTION	COUNTY	TOTAL SHEETS	SHEET NO.	
#FILE#		DRAWN -	REVISED -			654	(107, 108, 109)RS-4	STEPHENSON	89	14	
		CHECKED -	REVISED -			CONTRACT NO. 64C91					
		DATE -	REVISED -			FED. ROAD DIST. NO. 2 ILLINOIS FED. AID PROJECT					
				SCALE:	SHEET NO. OF SHEETS	STA.	TO STA.				

TYPICAL SECTIONS

STAGING USING TRAFFIC CONTROL AND PROTECTION, STANDARD 701321

SEQUENCE OF CONSTRUCTION - STAGE I

1. CONSTRUCT TEMPORARY WIDENING STA 484+77 TO 488+18 RT UNDER STANDARD 701326.
2. PERFORM STAGE I EARTHWORK, TEMPORARY SEEDING AND EROSION CONTROL.
3. INSTALL TEMPORARY SIGNALS AND CONCRETE BARRIER WALL AS SHOWN ON STAGING PLANS AND 701321.
4. CONSTRUCT LEFT SIDE OF CULVERT.
5. CONSTRUCT HMA SHOULDERS, 5 3/4" AND 8" AGGREGATE SHOULDERS TYPE B AT STA. 484+77 TO 488+18 LT BEHIND CONCRETE BARRIER WALL.



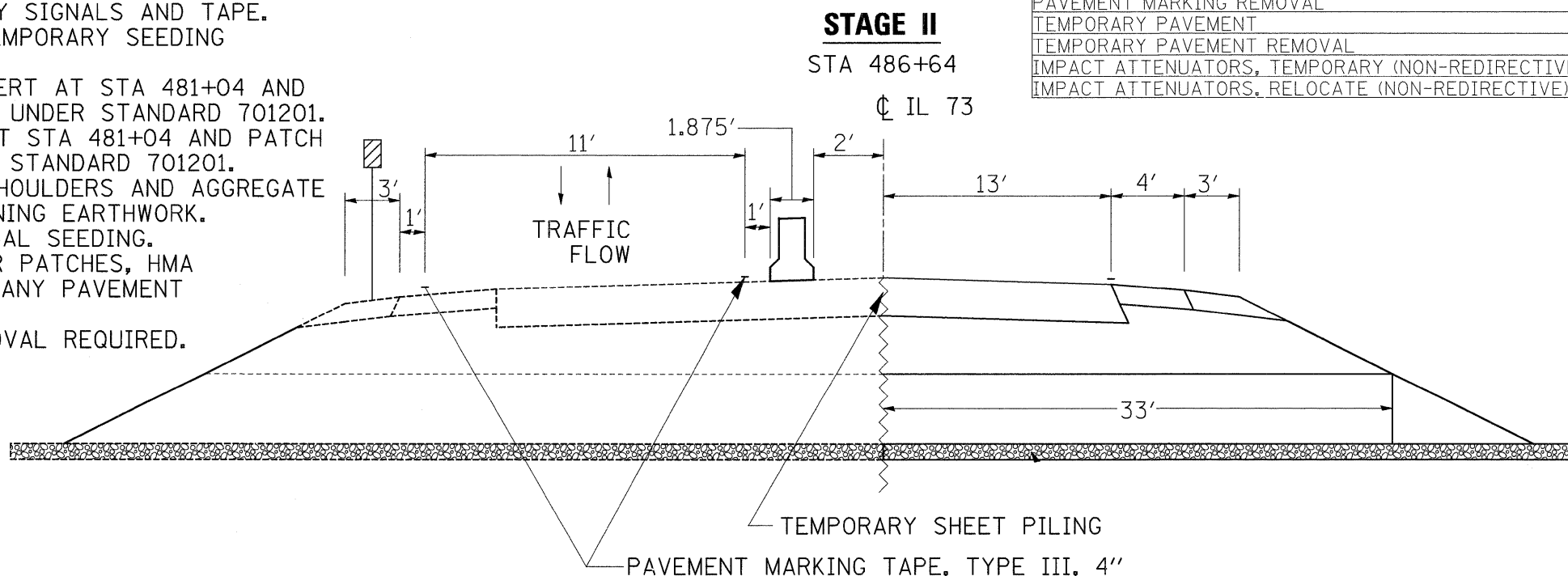
TEMPORARY SHEET PILING
 PAVEMENT MARKING TAPE, TYPE III, 4"
 TEMPORARY PAVEMENT CONSISTING OF:
 8" SUBBASE GRANULAR MATERIAL, TYPE B
 3" HOT MIX ASPHALT SURFACE COURSE, SPECIAL.

BILL OF MATERIALS STAGING USING TRAFFIC CONTROL AND PROTECTION, STANDARD 701321

ITEM	UNIT	QUANTITY
TEMPORARY SHEET PILING	SQ FT	856
TRAFFIC CONTROL AND PROTECTION, STANDARD 701321	EACH	1
TRAFFIC CONTROL SURVEILLANCE	CALL	5
TEMPORARY BRIDGE TRAFFIC SIGNALS	EACH	1
TEMPORARY RUMBLE STRIPS	EACH	6
PAVEMENT MARKING TAPE, TYPE III 4"	FOOT	1820
PAVEMENT MARKING TAPE, TYPE III 24"	FOOT	48
WORK ZONE PAVEMENT MARKING REMOVAL	SQ FT	654
TEMPORARY CONCRETE BARRIER	FOOT	325
RELOCATE TEMPORARY CONCRETE BARRIER	FOOT	325
PAVEMENT MARKING REMOVAL	SQ FT	221
TEMPORARY PAVEMENT	SQ YD	133
TEMPORARY PAVEMENT REMOVAL	SQ YD	133
IMPACT ATTENUATORS, TEMPORARY (NON-REDIRECTIVE), TEST LEVEL	EACH	2
IMPACT ATTENUATORS, RELOCATE (NON-REDIRECTIVE), TEST LEVEL	EACH	2

SEQUENCE OF CONSTRUCTION - STAGE II

1. RELOCATE CONCRETE BARRIER WALL AND SWITCH TRAFFIC.
2. CONSTRUCT RIGHT SIDE OF CULVERT.
3. REMOVE BARRIER WALL, TEMPORARY SIGNALS AND TAPE.
4. PERFORM STAGE II EARTHWORK, TEMPORARY SEEDING AND EROSION CONTROL.
5. REMOVE RIGHT SIDE OF BOX CULVERT AT STA 481+04 AND PATCH THE ROAD ALL IN ONE DAY UNDER STANDARD 701201.
6. REMOVE LEFT SIDE OF CULVERT AT STA 481+04 AND PATCH THE ROAD ALL IN ONE DAY UNDER STANDARD 701201.
7. CONSTRUCT ALL REMAINING HMA SHOULDERS AND AGGREGATE SHOULDERS. PERFORM ANY REMAINING EARTHWORK.
8. INSTALL RIPRAP AND PERFORM FINAL SEEDING.
9. COMPLETE ALL HMA REMOVAL OVER PATCHES, HMA REPLACEMENT OVER PATCHES AND ANY PAVEMENT PATCHING REQUIRED.
10. COMPLETE ALL HMA SURFACE REMOVAL REQUIRED.
11. OVERLAY THE ENTIRE PROJECT.

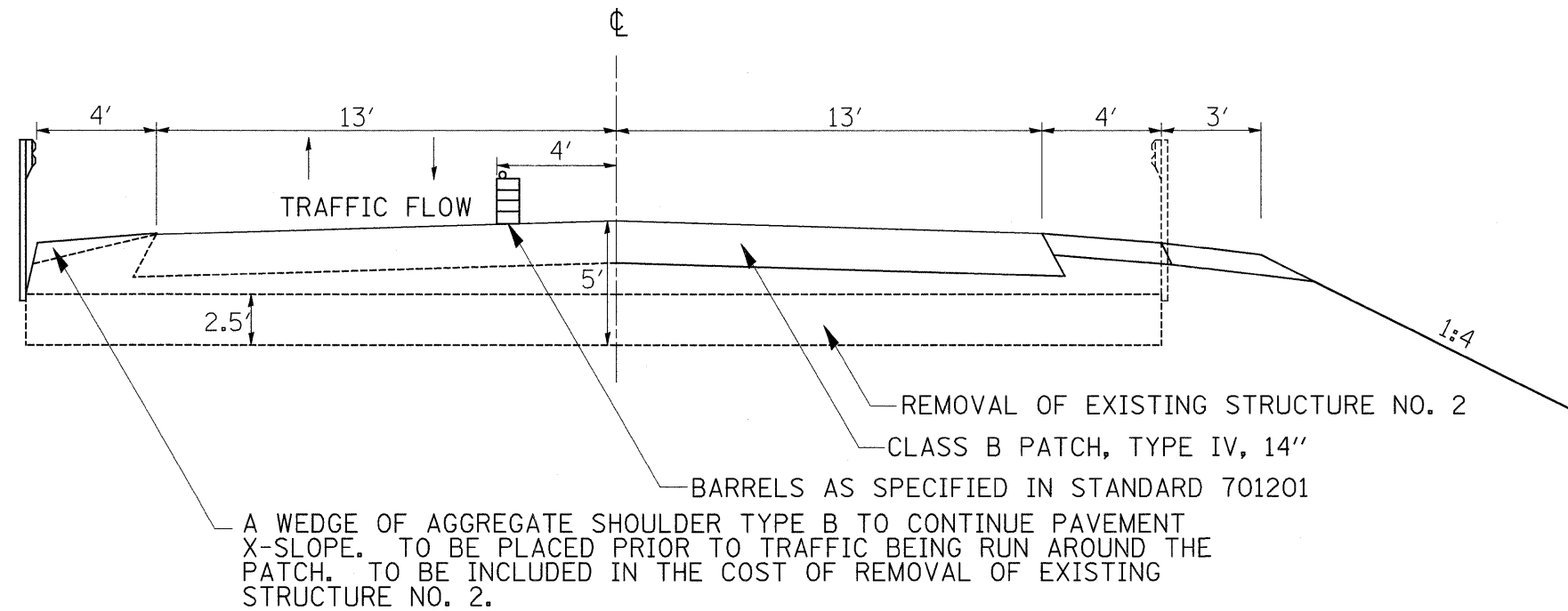


TYPICAL SECTIONS

STAGING USING TRAFFIC CONTROL AND PROTECTION, STANDARD 701321

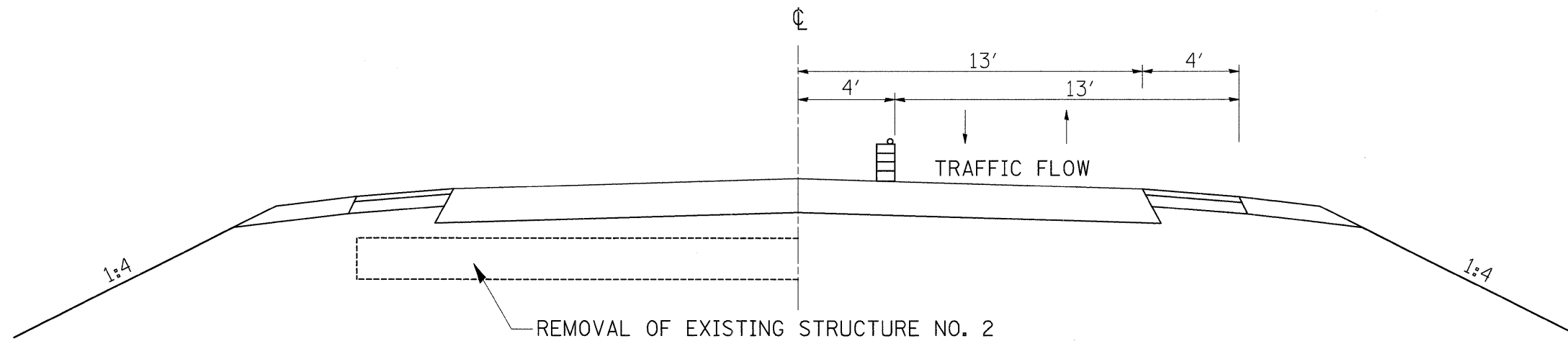
STAGE IIA

STA 481+04



STAGE IIB

STA 481+04



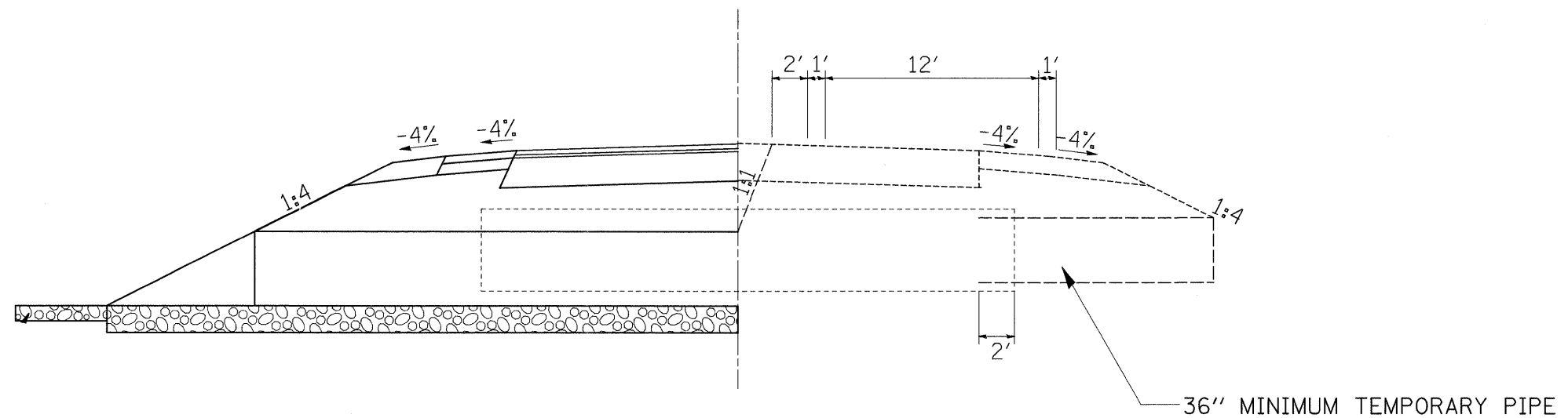
NOTE: THIS WORK WILL BE PERFORMED UNDER STANDARD 701201.

FILE NAME =	USER NAME = dmsdd	DESIGNED -	REVISED -	STATE OF ILLINOIS DEPARTMENT OF TRANSPORTATION	IL 73			F.A.P. RTE.	SECTION	COUNTY	TOTAL SHEETS	SHEET NO.			
ca\pw_work\PWIDOT\DOSSDD\dms33571\d02907typ.dgn		DRAWN -	REVISED -		SCALE:	SHEET NO.	OF	SHEETS	STA.	TO STA.	654	(107, 108, 109)RS-4	STEPHENSON	89	17
		CHECKED -	REVISED -								CONTRACT NO. 64C91				
		DATE -	REVISED -		FED. ROAD DIST. NO. 2 ILLINOIS FED. AID PROJECT										

TYPICAL SECTIONS

STAGING USING TRAFFIC CONTROL AND PROTECTION, STANDARD 701201

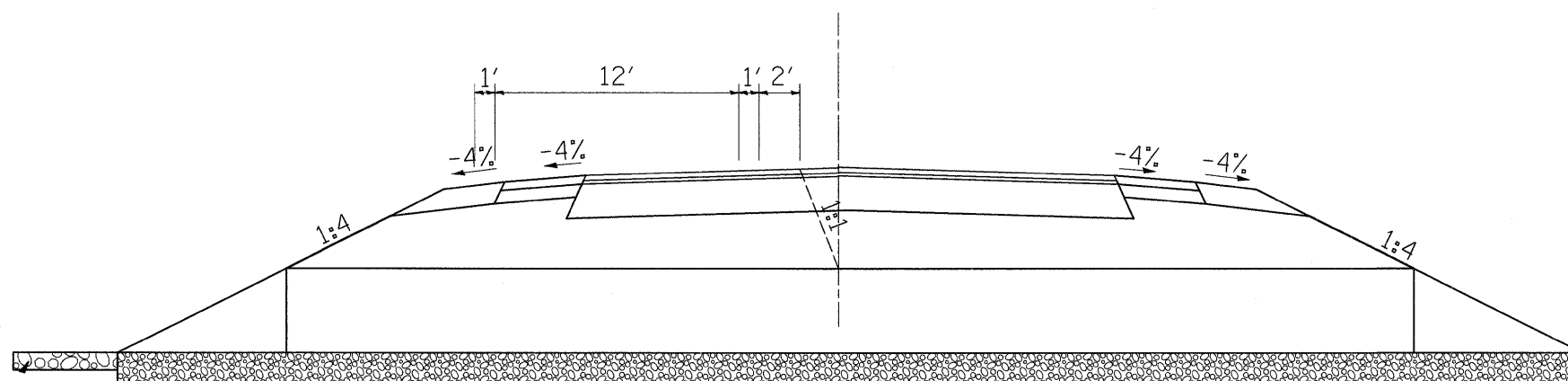
STAGE I
 STA 486+64
 ⌀ IL 73



BILL OF MATERIALS
 STAGING USING TRAFFIC CONTROL AND PROTECTION, STANDARD 701201

ITEM	UNIT	QUANTITY
PAVEMENT PATCHING, SPECIAL	SQ YD	124
TEMPORARY PIPE (36" MINIMUM)	FOOT	18
AGGREGATE BASE COURSE, TYPE B	TON	16

STAGE II
 STA 486+64
 ⌀ IL 73



FILE NAME =	USER NAME = dosdd	DESIGNED -	REVISED -	STATE OF ILLINOIS DEPARTMENT OF TRANSPORTATION	IL 73			F.A.P. RTE.	SECTION	COUNTY	TOTAL SHEETS	SHEET NO.			
ct:\pw\work\PW100T\DOSSDD\dms33571\d02977typ.dgn		DRAWN -	REVISED -		SCALE:	SHEET NO.	OF	SHEETS	STA.	TO STA.	654	(107,108,108)RS-4	STEPHENSON	89	18
		CHECKED -	REVISED -		CONTRACT NO. 64C91										
		DATE -	REVISED -		FED. ROAD DIST. NO. ILLINOIS FED. AID PROJECT										

HMA SCHEDULE

LOCATION			PAVT		PAVEMENT AREA	40600200		40600300		40600625		40600982		40600990		40603310		40800050		44000158		44000198		48101200		70300100		70301000	
			LENGTH	WIDTH		BIT. PRIME	AGG. PRIME	LEVELING BINDER (MACHINE METHOD), N50	HMA SURF REMOVAL BUTT JOINT	TEMPORARY RAMP	HMA SURF CRSE MIX "C", N50 1-1/2"	HMA SURF CRSE MIX "C", N50 2-1/4"	INCIDENTAL HOT MIX SURFACING	HMA SURFACE REMOVAL 2-1/4"	HMA SURF REM VARIABLE DEPTH	AGGREGATE SHOULDERS, TYPE B	SHORT TERM PAVEMENT MARKINGS	WORK ZONE PAVE MARK REMOVAL											
STATIONING			DESCRIPTION	(FT.)	(FT.)	(SQ YD)	(TON)	(TON)	(TON)	(SQ YD)	(SQ YD)	(TON)	(TON)	(TON)	(SQ YD)	(SQ YD)	(TON)	(FT.)	(SQ FT)										
0+00	TO	12 + 15		1215	26	3510	2.01	5.3	196.6	72.2	12.1	294.8					153.8	364.5	40.5										
12+15	TO	12 + 60		45	26	130	0.07	0.2	7.3			10.9			130.0		5.7	13.5	1.5										
12+60	TO	17 + 96	GUTTER SECTION	536	25	1489	0.85	2.2	83.4			125.1			1488.9		33.9	160.8	17.9										
17+96	TO	18 + 41		45	26	130	0.07	0.2	7.3			10.9			130.0		5.7	13.5	1.5										
18+41	TO	56 + 90		3849	26	11119	6.36	16.7	622.7			934.0					487.1	1154.7	128.3										
56+90	TO	57 + 35		45	26	130	0.07	0.2	7.3			10.9			130.0		5.7	13.5	1.5										
57+35	TO	62 + 11	GUTTER SECTION	476	25	1322	0.76	2.0	74.0			111.1			1322.2		30.1	142.8	15.9										
62+11	TO	62 + 56		45	26	130	0.07	0.2	7.3			10.9			130.0		5.7	13.5	1.5										
62+56	TO	73 + 00		1044	26	3016	1.73	4.5	168.9			253.3					132.1	313.2	34.8										
73+00	TO	73 + 45		45	26	130	0.07	0.2	7.3			10.9			130.0		5.7	13.5	1.5										
73+45	TO	89 + 85	GUTTER SECTION	1640	25	4556	2.61	6.8	255.1			382.7			4555.6		103.8	492.0	54.7										
89+85	TO	90 + 30		45	26	130	0.07	0.2	7.3			10.9			130.0		5.7	13.5	1.5										
90+30	TO	109 + 75		1945	26	5619	3.21	8.4	314.7			472.0					246.1	583.5	64.8										
109+75	TO	110 + 20		45	26	130	0.07	0.2	7.3			10.9			130.0		5.7	13.5	1.5										
110+20	TO	110 + 95	GUTTER SECTION	75	25	208	0.12	0.3	11.7			17.5			208.3		4.7	22.5	2.5										
110+95	TO	115 + 00	GUTTER SECTION	405	24	1080	0.62	1.6	60.5			90.7			1080.0			121.5	13.5										
115+00	TO	116 + 57	GUTTER SECTION	157	25	436	0.25	0.7	24.4			36.6			436.1		9.9	47.1	5.2										
116+57	TO	117 + 02		45	26	130	0.07	0.2	7.3			10.9			130.0		5.7	13.5	1.5										
117+02	TO	151 + 48		3446	26	9955	5.69	14.9	557.5			836.2					436.1	1033.8	114.9										
151+48	TO	152 + 30	RT SHOULDER	82	26	237	0.16	0.4	13.3			19.9	4.6				5.2	24.6	2.7										
152+30	TO	154 + 03	LT & RT SHOULDER	173	26	500	0.33	0.7	28.0	72.2	12.1	42.0	19.4					51.9	5.8										
154+03	TO	155 + 05	BRIDGE OMISSION	102																									
155+05	TO	156 + 69	LT & RT SHOULDER	164	26	474	0.35	0.7	26.5	72.2	12.1	39.8	18.4					49.2	5.5										
156+69	TO	157 + 82	LT SHOULDER	113	26	326	0.22	0.5	18.3			27.4	6.3				7.1	33.9	3.8										
157+82	TO	205 + 98		4816	26	13913	7.96	20.9	779.1			1168.7					609.4	1444.8	160.5										
205+98	TO	206 + 43		45	26	130	0.07	0.2	7.3			10.9			130.0		5.7	13.5	1.5										
206+43	TO	206 + 65	GUTTER SECTION	22	25	61	0.03	0.1	3.4			5.1			61.1		1.4	6.6	0.7										
206+65	TO	210 + 69	GUTTER SECTION	404	24	1077	0.62	1.6	60.3			90.5			1077.3			121.2	13.5										
210+69	TO	212 + 45	GUTTER SECTION	176	25	489	0.28	0.7	27.4			41.1			488.9		11.1	52.8	5.9										
212+45	TO	212 + 90		45	26	130	0.07	0.2	7.3			10.9			130.0		5.7	13.5	1.5										
212+90	TO	227 + 69		1479	26	4273	2.44	6.4	239.3			358.9					187.2	443.7	49.3										
227+69	TO	228 + 14	THROUGH PEARL CITY	45	26	130	0.07	0.2	7.3			10.9			130.0		5.7	13.5	1.5										
228+14	TO	237 + 22	GUTTER SECTION	908	24	2421	1.39	3.6	135.6			203.4			2421.3			272.4	30.3										
237+22	TO	238 + 80		158	26	456	0.26	0.7	25.6			38.3			456.4		20.0	47.4	5.3										
238+80	TO	240 + 35	GUTTER SECTION	155	25	431	0.25	0.6	24.1			36.2			430.6		9.8	46.5	5.2										
240+35	TO	241 + 90	GUTTER SECTION	155	24	413	0.24	0.6	23.1			34.7			413.3			46.5	5.2										
241+90	TO	253 + 50		1160	52	6702	3.83	10.1	375.3			563.0			6702.2			348.0	38.7										
253+50	TO	257 + 38		388	26	1121	0.64	1.7	62.8			94.2			1120.9		49.1	116.4	12.9										
257+38	TO	258 + 32	LT & RT SHOULDER	94	26	272	0.22	0.4	15.2			22.8	10.5		355.1			28.2	3.1										
258+32	TO	259 + 22	BRIDGE OMISSION	90																									
259+22	TO	259 + 70	LT & RT SHOULDER	48	26	139	0.10	0.2	7.8			21.7	11.6	5.4	163.6			14.4	1.6										
259+70	TO	265 + 98		628	26	1814	1.04	2.7	101.6			152.4			1814.2		79.5	188.4	20.9										
265+98	TO	277 + 83	GUTTER SECTION	1185	24	3160	1.81	4.7	177.0			265.4			3160.0			355.5	39.5										
277+83	TO	279 + 69	GUTTER SECTION	186	25	517	0.30	0.8	28.9			43.4			516.7		11.8	55.8	6.2										
279+69	TO	280 + 14	THROUGH PEARL CITY	45	26	130	0.07	0.2	7.3			10.9			130.0		5.7	13.5	1.5										
280+14	TO	303 + 70		2356	26	6806	3.89	10.2	381.1			571.7					298.1	706.8	78.5										
303+70	TO	304 + 44	RT SHOULDER	74	26	214	0.14	0.3	12.0			18.0	4.1				4.7	22.2	2.5										
304+44	TO	304 + 85	LT & RT SHOULDER	41	26	118	0.09	0.2	6.6			9.9	4.6					12.3	1.4										
304+85	TO	306 + 11	SAG CORRECTION*	126	26	364	0.21	0.5	20.4			30.6	14.1					37.8	4.2										
306+11	TO	307 + 45	BRIDGE OMISSION	134																									
307+45	TO	308 + 45	SAG CORRECTION*	100	26	289	0.17	0.4	16.2			24.3	11.2					30.0	3.3										

FILE NAME =	USER NAME = dosadd	DESIGNED -	REVISED -	STATE OF ILLINOIS DEPARTMENT OF TRANSPORTATION				IL 73				F.A.P. RTE.	SECTION	COUNTY	TOTAL SHEETS	SHEET NO.
ct:\pwwork\PIWIDOT\DOSSDD\dms33571\082977crr.dgn		DRAWN -	REVISED -									654	*	STEPHENSON	89	19
	PLOT SCALE = 50.0000' / IN.	CHECKED -	REVISED -									FED. ROAD DIST. NO.		ILLINOIS FED. AID PROJECT		
	PLOT DATE = Wed Sep 24 07:46:04 2008	DATE -	REVISED -									CONTRACT NO. 64C91				

HMA SCHEDULE

LOCATION		PAVT LENGTH	PAVT WIDTH	PAVEMENT AREA	40600200	40600300	40600625	40600982	40600990	40603310	40800050	44000158	44000198	48101200	70300100	70301000	
					BIT. PRIME 2 APPL	AGG. PRIME 1 APPL	LEVELING BINDER (MACHINE METHOD), N50	HMA SURF REMOVAL BUTT JOINT	TEMPORARY RAMP	HMA SURF CRSE MIX "C", N50 1-1/2"	HMA SURF CRSE MIX "C", N50 2-1/4"	INCIDENTAL HOT MIX SURFACING	HMA SURFACE REMOVAL 2-1/4"	HMA SURF REM VARIABLE DEPTH	AGGREGATE SHOULDER, TYPE B	SHORT TERM PAVEMENT MARKINGS	WORK ZONE PAVE MARK REMOVAL
STATIONING		(FT.)	(FT.)	(SQ YD)	(TON)	(TON)	(TON)	(SQ YD)	(SQ YD)	(TON)	(TON)	(TON)	(SQ YD)	(SQ YD)	(TON)	(FT.)	(SQ FT)
308+45	TO 308 + 92	47	26	136	0.10	0.2	7.6			11.4	5.3				14.1	1.6	
308+92	TO 309 + 76	84	26	243	0.16	0.4	13.6			20.4	4.7			5.3	25.2	2.8	
309+76	TO 312 + 66	290	26	838	0.48	1.3	46.9			70.4				36.7	87.0	9.7	
312+66	TO 313 + 60	94	26	272	0.16	0.4	15.2			22.8		135.8		11.9	28.2	3.1	
313+60	TO 328 + 00	1440	26	4160	2.38	6.2	233.0			349.4		4160.0		182.2	432.0	48.0	
328+00	TO 336 + 30	830	26	2398	1.37	3.6	134.3			201.4				105.0	249.0	27.7	
336+30	TO 349 + 50	1320	26	3813	2.18	5.7	213.5			320.3		3813.3		167.0	396.0	44.0	
349+50	TO 363 + 20	1370	26	3958	2.26	5.9	221.6			332.5		1978.9		173.4	411.0	45.7	
363+20	TO 373 + 30	1010	26	2918	1.67	4.4	163.4			245.1		2917.8		127.8	303.0	33.7	
373+30	TO 375 + 50	220	26	636	0.36	1.0	35.6			53.4		317.8		27.8	66.0	7.3	
375+50	TO 386 + 08	1058	26	3056	1.75	4.6	171.2			256.7				133.9	317.4	35.3	
386+08	TO 390 + 72	464	26	1340	1.00	2.0	75.1			112.6	52.0				139.2	15.5	
390+72	TO 393 + 10	238	26	688	0.39	1.0	38.5			57.8				30.1	71.4	7.9	
393+10	TO 395 + 90	280	26	809	0.46	1.2	45.3			67.9		404.4		35.4	84.0	9.3	
395+90	TO 416 + 18	2028	26	5859	3.37	8.8	328.1			492.1		5858.7		256.6	608.4	67.6	
416+18	TO 416 + 70	52	26	150	0.09	0.2	8.4			12.6	5.8			150.2	15.6	1.7	
416+70	TO 417 + 15	45	32.5	163	0.09	0.2	9.1			13.7							
417+15	TO 417 + 68	53	26	153	0.11	0.2	8.6			12.9	5.9			153.1	15.9	1.8	
417+68	TO 418 + 33	65	26	188	0.13	0.3	10.5			15.8	7.3			93.9	19.5	2.2	
418+33	TO 424 + 60	627	26	1811	1.04	2.7	101.4			152.2				905.7	79.3	188.1	
424+60	TO 449 + 00	2440	26	7049	4.03	10.6	394.7			592.1		7048.9		308.8	732.0	81.3	
449+00	TO 473 + 70	2470	26	7136	4.08	10.7	399.6			599.4		3567.8		312.6	741.0	82.3	
473+70	TO 479 + 64	594	26	1716	0.98	2.6	96.1			144.1				75.2	178.2	19.8	
479+64	TO 489 + 36	972	26	2808	2.10	4.2	157.2			235.9	108.9			295.2	291.6	32.4	
489+36	TO 491 + 70	234	26	676	0.39	1.0	37.9			56.8				29.6	70.2	7.8	
491+70	TO 496 + 94	524	26.5	1543	0.88	2.3	86.4			129.6		1542.9		33.2	157.2	17.5	
496+94	TO 501 + 30	436	26	1260	0.72	1.9	70.5			105.8			629.8	55.2	130.8	14.5	
501+30	TO 504 + 70	340	26	982	0.56	1.5	55.0			82.5				43.0	102.0	11.3	
504+70	TO 508 + 00	330	26	953	0.55	1.4	53.4			80.1			476.7	41.8	99.0	11.0	
508+00	TO 516 + 30	830	26	2398	1.37	3.6	134.3			201.4				105.0	249.0	27.7	
516+30	TO 525 + 25	895	26	2586	1.48	3.9	144.8			217.2			1292.8	113.3	268.5	29.8	
525+25	TO 541 + 03	1578	26	4559	2.61	6.8	255.3			382.9				199.7	473.4	52.6	
541+03	TO 550 + 02	899	26.5	2647	1.51	4.0	148.2			222.4		2647.1		56.9	269.7	30.0	
550+02	TO 551 + 63	161	26	465	0.35	0.7	26.0	72.2	12.1	39.1	18.0				48.3	5.4	
551+63	TO 552 + 76	113															
552+76	TO 554 + 30	154	26	445	0.33	0.7	24.9	72.2	12.1	37.4	17.2				46.2	5.1	
554+30	TO 555 + 00	70	26.5	206	0.14	0.3	11.5			17.3	3.9	206.1			21.0	2.3	
555+00	TO 561 + 12	612	26.5	1802	1.03	2.7	100.9			151.4		1802.0		38.7	183.6	20.4	
561+12	TO 576 + 30	1518	26	4385	2.51	6.6	245.6			368.4			2192.7	192.1	455.4	50.6	
576+30	TO 578 + 00	170	26	491	0.28	0.7	27.5			41.3				21.5	51.0	5.7	
WEST LOTT ROAD		57	22	151	0.04	0.2		44.0	12.2					21.2			
EAST BUTZ ROAD		65	22	163	0.05	0.2		44.0	12.2					22.8			
WEST HERSHEY HIGHWAY		27	22	108	0.03	0.2		44.0	12.2					15.1			
EAST HERSHEY HIGHWAY		22	22	97	0.03	0.1		44.0	12.2					13.5			
WEST SABIN CHURCH RD		27	24	117	0.03	0.2		48.0	13.3					16.4			
EAST SABIN CHURCH RD		27	24	156	0.04	0.2		48.0	13.3					21.8			
WEST LORAN ROAD		22	54	215	0.06	0.3		108.0	30.0					30.1			
EAST LORAN ROAD		27	22	116	0.03	0.2		44.0	12.2					16.2			

FILE NAME =	USER NAME = doasdd	DESIGNED -	REVISED -	STATE OF ILLINOIS DEPARTMENT OF TRANSPORTATION	IL 73	F.A.P. RTE.	SECTION	COUNTY	TOTAL SHEETS	SHEET NO.	
ca\pwwork\pwwid01\DOSSDD\dms33571\082977\vr.dgn		DRAWN -	REVISED -			654	*	STEPHENSON	89	20	
PLOT SCALE = 50.0000' / IN.		CHECKED -	REVISED -			CONTRACT NO. 64C91					
PLOT DATE = Fri Oct 03 08:37:22 2008		DATE -	REVISED -			FED. ROAD DIST. NO. ILLINOIS FED. AID PROJECT					

HMA SCHEDULE

LOCATION		40600200		40600300		40600625		40600982		40600990		40603310		40800050		44000158		44000198		48101200		70300100		70301000	
		PAVT LENGTH	PAVT WIDTH	PAVEMENT AREA	BIT. PRIME	AGG. PRIME	LEVELING BINDER (MACHINE METHOD), N50	HMA SURF REMOVAL BUTT JOINT	TEMPORARY RAMP	HMA SURF CRSE MIX "C", N50 1-1/2"	HMA SURF CRSE MIX "C", N50 2-1/4"	INCIDENTAL HOT MIX SURFACING	HMA SURFACE REMOVAL 2-1/4"	HMA SURF REM VARIABLE DEPTH	AGGREGATE SHOULDERS, TYPE B	SHORT TERM PAVEMENT MARKINGS	WORK ZONE PAVE MARK REMOVAL								
STATIONING	DESCRIPTION	(FT.)	(FT.)	(SQ YD)	(TON)	(TON)	(TON)	(SQ YD)	(SQ YD)	(TON)	(TON)	(TON)	(SQ YD)	(SQ YD)	(TON)	(FT.)	(SQ FT)								
	BLOCK ROAD	22	22	81	0.02	0.1		44.0	12.2			11.3													
	WALGREN RD	22	26	130	0.04	0.2		52.0	14.4			18.1													
	WEST SOUTH ST	12	30	45	0.01	0.1			16.7			6.3	45.3												
	EAST SOUTH ST	15	34	60	0.02	0.1			18.9			8.4	60.0												
	WEST DEVORE ST	13	48	78	0.02	0.1			26.7			10.9	78.0												
	EAST DEVORE ST	11	46	68	0.02	0.1			25.6			9.5	67.8												
	WEST NORTH ST	15	36	73	0.02	0.1			20.0			10.3	73.3												
	EAST NORTH ST	8	28	31	0.01	0.0			15.6			4.4	31.1												
	PEARL CITY ROAD	MAINLINE: MILL & PAVE 26' RT							15.9																
	CENTER ST	22	20	68	0.02	0.1			11.1			9.6	68.4												
	JOHN ST	8	20	26	0.01	0.0			11.1			3.6	25.8												
	GOLDMINE RD	18	36	72	0.02	0.1			20.0			10.1	72.0												
	MILL ST	28	37	129	0.04	0.2			20.6			18.1	129.1												
	GREEN ST	13	22	43	0.01	0.1			12.2			6.1	43.3												
	WEST GRANT ST	12	20	33	0.01	0.0			11.1			4.7	33.3												
	EAST GRANT ST	17	8	27	0.01	0.0			4.4			3.7	26.7												
	GARFIELD RD	14	21	47	0.01	0.1			11.7			6.5	46.7												
	700N	22	12	59	0.02	0.1			6.7			8.2													
	WEST DUBLIN ROAD	22	73	414	0.12	0.6		44.0	40.6			57.9													
	EAST DUBLIN ROAD	22	36	136	0.04	0.2		44.0	20.0			19.0													
	WEST RADERS RD	22	24	109	0.03	0.2		44.0	13.3			15.2													
	EAST RADERS RD	22	24	105	0.03	0.2		44.0	13.3			14.7													
	WEST MOUND RD	22	24	98	0.03	0.1		44.0	13.3			13.7													
	EAST MOUND RD	22	25	97	0.03	0.1		44.0	13.9			13.6													
	WEST DAMEIER RD	22	22	112	0.03	0.2		44.0	12.2			15.7													
	EAST DAMEIER RD	28	27	150	0.04	0.2		56.0	15.0			21.0													
TOTALS				98.5	257.3	9469.0	1245.1	638.2	14124.6	327.7	477.8	30633.6	36831.6	6294.6	17194.8	1910.5									

*NOTE: ADDITIONAL QUANTITIES HAVE BEEN PROVIDED FOR SAG CORRECTION. SEE TABLE FOR ADDITIONAL INFORMATION

FILE NAME =	USER NAME = doasdd	DESIGNED -	REVISED -	STATE OF ILLINOIS DEPARTMENT OF TRANSPORTATION	IL 73	F.A.P. RTE.	SECTION	COUNTY	TOTAL SHEETS	SHEET NO.	
et\piv_work\PWIDOT\DOSSDD\dms33571\0297	7cvr.dgn	DRAWN -	REVISED -			654	*	STEPHENSON	89	21	
	PLOT SCALE = 50.0000' / IN.	CHECKED -	REVISED -			CONTRACT NO. 64C91					
	PLOT DATE = Fri Oct 03 08:38:59 2008	DATE -	REVISED -			FED. ROAD DIST. NO. ILLINOIS FED. AID PROJECT					

PATCHING SCHEDULE

13FOOT LANE WIDTH

7FOOT LANE WIDTH FOR 1/2 LANE PATCH

STATION	REMARKS	LENGTH OF PATCH		AREA OF CLASS B PATCHES, 14"								HMA REMOVAL OVER PATCHES 7"		HMA REPLACEMENT OVER PATCHES, 7"	
		LT LANE (feet)	RT LANE (feet)	TYPE 1		TYPE 2		TYPE 3		TYPE 4		LT LANE (sq yd)	RT LANE (sq yd)	LT LANE (tons)	RT LANE (tons)
				LT LANE (sq yd)	RT LANE (sq yd)	LT LANE (sq yd)	RT LANE (sq yd)	LT LANE (sq yd)	RT LANE (sq yd)	LT LANE (sq yd)	RT LANE (sq yd)				
2 + 20		30	50							43.3	72.2	44.6	73.5	17.50	28.82
3 + 95			70								101.1		102.4		40.15
4 + 89		6	6			8.7	8.7					10.0	10.0	3.91	3.91
5 + 35			6				8.7						10.0		3.91
5 + 80			6				8.7						10.0		3.91
6 + 25		6				8.7						10.0		3.91	
7 + 47		6	6			8.7	8.7					10.0	10.0	3.91	3.91
7 + 67			6				8.7						10.0		3.91
8 + 75			18								26.0		27.3		10.70
9 + 45			6				8.7						10.0		3.91
9 + 63			6				8.7						10.0		3.91
9 + 95			20								28.9		30.2		11.83
11 + 40			100								144.4		145.7		57.13
12 + 00		6				8.7						10.0		3.91	
18 + 15		6	6			8.7	8.7					10.0	10.0	3.91	3.91
18 + 44		6	6			8.7	8.7					10.0	10.0	3.91	3.91
18 + 74		6				8.7						10.0		3.91	
19 + 13			78								112.7		114.0		44.67
20 + 7		10	10			14.4	14.4					15.7	15.7	6.17	6.17
21 + 00		6	6			8.7	8.7					10.0	10.0	3.91	3.91
21 + 78		6	6			8.7	8.7					10.0	10.0	3.91	3.91
22 + 81		6	6			8.7	8.7					10.0	10.0	3.91	3.91
25 + 31			14						20.2				21.5		8.44
27 + 50			6				8.7						10.0		3.91
29 + 32		6	6			8.7	8.7					10.0	10.0	3.91	3.91
30 + 55		6	6			8.7	8.7					10.0	10.0	3.91	3.91
32 + 57			6				8.7						10.0		3.91
33 + 2		6	6			8.7	8.7					10.0	10.0	3.91	3.91
33 + 92		6	6			8.7	8.7					10.0	10.0	3.91	3.91
34 + 83			8				11.6						12.9		5.04
35 + 74		6	6			8.7	8.7					10.0	10.0	3.91	3.91
36 + 20		6				8.7						10.0		3.91	
37 + 60		6	6			8.7	8.7					10.0	10.0	3.91	3.91
38 + 95		6	6			8.7	8.7					10.0	10.0	3.91	3.91
40 + 95		6	6			8.7	8.7					10.0	10.0	3.91	3.91
41 + 43			30								43.3		44.6		17.50

FILE NAME =	USER NAME = d0sedd	DESIGNED -	REVISED -	STATE OF ILLINOIS DEPARTMENT OF TRANSPORTATION	IL 73	F.A.P. RTE.	SECTION	COUNTY	TOTAL SHEETS	SHEET NO.	
01\pw_work\PWIDOT\DOSSDD\dms33571\d0297evr.dgn		DRAWN -	REVISED -			654	*	STEPHENSON	89	22	
PLOT SCALE = 50,0000' / IN.		CHECKED -	REVISED -			CONTRACT NO. 64C91					
PLOT DATE = Wed Sep 24 07:49:09 2008		DATE -	REVISED -			FED. ROAD DIST. NO. ILLINOIS FED. AID PROJECT					

PATCHING SCHEDULE

13FOOT LANE WIDTH

7FOOT LANE WIDTH FOR 1/2 LANE PATCH

STATION	REMARKS	LENGTH OF PATCH		AREA OF CLASS B PATCHES, 14"								HMA REMOVAL OVER PATCHES 7"		HMA REPLACEMENT OVER PATCHES 7"	
				TYPE 1		TYPE 2		TYPE 3		TYPE 4					
		LT LANE (feet)	RT LANE (feet)	LT LANE (sq yd)	RT LANE (sq yd)	LT LANE (sq yd)	RT LANE (sq yd)	LT LANE (sq yd)	RT LANE (sq yd)	LT LANE (sq yd)	RT LANE (sq yd)	LT LANE (sq yd)	RT LANE (sq yd)	LT LANE (tons)	RT LANE (tons)
42 + 21			6				8.7						10.0	3.91	
42 + 59			45							65.0		66.3		25.99	
42 + 94		12						17.3				18.6		7.30	
43 + 72		6				8.7						10.0		3.91	
43 + 90			30								43.3		44.6	17.50	
44 + 60			50								72.2		73.5	28.82	
45 + 14			20								28.9		30.2	11.83	
45 + 48		6	6			8.7	8.7					10.0	10.0	3.91 3.91	
45 + 92		6	6			8.7	8.7					10.0	10.0	3.91 3.91	
46 + 22			6				8.7						10.0	3.91	
48 + 00		6	6			8.7	8.7					10.0	10.0	3.91 3.91	
49 + 34		6	12			8.7			17.3			10.0	18.6	3.91 7.30	
52 + 60		6	6			8.7	8.7					10.0	10.0	3.91 3.91	
53 + 36			6				8.7						10.0	3.91	
54 + 25			55								79.4		80.7	31.65	
64 + 85		10	10			14.4	14.4					15.7	15.7	6.17 6.17	
65 + 83		8	8			11.6	11.6					12.9	12.9	5.04 5.04	
67 + 40		6	6			8.7	8.7					10.0	10.0	3.91 3.91	
97 + 53		6	20			8.7					28.9	10.0	30.2	3.91 11.83	
100 + 68		6	6			8.7	8.7					10.0	10.0	3.91 3.91	
116 + 50		30	50							43.3	72.2	44.6	73.5	17.50 28.82	
117 + 66			6				8.7						10.0	3.91	
118 + 50			6				8.7						10.0	3.91	
119 + 6		6	6			8.7	8.7					10.0	10.0	3.91 3.91	
122 + 26		6	6			8.7	8.7					10.0	10.0	3.91 3.91	
123 + 81		6	6			8.7	8.7					10.0	10.0	3.91 3.91	
124 + 12			6				8.7						10.0	3.91	
125 + 13		6	6			8.7	8.7					10.0	10.0	3.91 3.91	
130 + 10		6	6			8.7	8.7					10.0	10.0	3.91 3.91	
131 + 13			6				8.7						10.0	3.91	
133 + 92		15	8				11.6	21.7				23.0	12.9	9.00 5.04	
135 + 58			6				8.7						10.0	3.91	
135 + 80		45								65.0		66.3		25.99	
137 + 65		6	6			8.7	8.7					10.0	10.0	3.91 3.91	
138 + 57		6	6			8.7	8.7					10.0	10.0	3.91 3.91	
140 + 19		6	6			8.7	8.7					10.0	10.0	3.91 3.91	
141 + 42		6	6			8.7	8.7					10.0	10.0	3.91 3.91	
142 + 74		6	6			8.7	8.7					10.0	10.0	3.91 3.91	
144 + 23			6				8.7						10.0	3.91	

FILE NAME =	USER NAME = dssdd	DESIGNED -	REVISED -	STATE OF ILLINOIS DEPARTMENT OF TRANSPORTATION	IL 73	SCALE:	SHEET NO.	OF	SHEETS	STA.	TO STA.	F.A.P. RTE.	SECTION	COUNTY	TOTAL SHEETS	SHEET NO.
ct:\pw_work\PWIDOT\DOSSDD\dms33571\j02967crr.dgn		DRAWN -	REVISED -			654	*	STEPHENSON	89	23				CONTRACT NO. 64C91		
PLOT SCALE = 50.0000' / IN.		CHECKED -	REVISED -									ILLINOIS FED. AID PROJECT				
PLOT DATE = Wed Sep 24 07:49:37 2008		DATE -	REVISED -									(107, 108, 109)RS-4				

PATCHING SCHEDULE

13FOOT LANE WIDTH

7FOOT LANE WIDTH FOR 1/2 LANE PATCH

STATION	REMARKS	LENGTH OF PATCH		AREA OF CLASS B PATCHES, 14"								HMA REMOVAL OVER PATCHES 7"		HMA REPLACEMENT OVER PATCHES, 7"	
		LT LANE (feet)	RT LANE (feet)	TYPE 1		TYPE 2		TYPE 3		TYPE 4		LT LANE (sq yd)	RT LANE (sq yd)	LT LANE (tons)	RT LANE (tons)
				LT LANE (sq yd)	RT LANE (sq yd)	LT LANE (sq yd)	RT LANE (sq yd)	LT LANE (sq yd)	RT LANE (sq yd)	LT LANE (sq yd)	RT LANE (sq yd)				
145 + 35		12						17.3				18.6		7.30	
148 + 45		6	6			8.7	8.7					10.0	10.0	3.91	3.91
157 + 10		6	6			8.7	8.7					10.0	10.0	3.91	3.91
161 + 55		6	6			8.7	8.7					10.0	10.0	3.91	3.91
163 + 40			35								50.6		51.9		20.33
165 + 00			12					17.3					18.6		7.30
167 + 7		6	6			8.7	8.7					10.0	10.0	3.91	3.91
169 + 43		6	6			8.7	8.7					10.0	10.0	3.91	3.91
170 + 55		6	6			8.7	8.7					10.0	10.0	3.91	3.91
173 + 3			12					17.3					18.6		7.30
176 + 66		6	6			8.7	8.7					10.0	10.0	3.91	3.91
177 + 75		100								144.4		145.7		57.13	
178 + 48			20								28.9		30.2		11.83
171 + 48		6	6			8.7	8.7					10.0	10.0	3.91	3.91
186 + 32		25	6				8.7			36.1		37.4	10.0	14.67	3.91
188 + 65			20								28.9		30.2		11.83
189 + 21			6				8.7						10.0		3.91
193 + 00		6	6			8.7	8.7					10.0	10.0	3.91	3.91
194 + 15			12					17.3					18.6		7.30
195 + 51			12					17.3					18.6		7.30
197 + 5		6	6			8.7	8.7					10.0	10.0	3.91	3.91
218 + 41		6	6			8.7	8.7					10.0	10.0	3.91	3.91
225 + 37			6				8.7						10.0		3.91
228 + 45			50								72.2		73.5		28.82
313 + 85		6	6			8.7	8.7					10.0	10.0	3.91	3.91
314 + 22		25	25							36.1	36.1	37.4	37.4	14.67	14.67
315 + 16			6				8.7						10.0		3.91
315 + 63		10	10			14.4	14.4					15.7	15.7	6.17	6.17
316 + 30		6	6			8.7	8.7					10.0	10.0	3.91	3.91
316 + 52			10				14.4						15.7		6.17
317 + 60		6	6			8.7	8.7					10.0	10.0	3.91	3.91
318 + 62			15					21.7					23.0		9.00
318 + 92			6				8.7						10.0		3.91
320 + 17		6	6			8.7	8.7					10.0	10.0	3.91	3.91
320 + 93		6	6			8.7	8.7					10.0	10.0	3.91	3.91
321 + 61		20	20							28.9	28.9	30.2	30.2	11.83	11.83
322 + 13			6				8.7						10.0		3.91
326 + 34		6	6			8.7	8.7					10.0	10.0	3.91	3.91
327 + 73		6	6			8.7	8.7					10.0	10.0	3.91	3.91

FILE NAME =	USER NAME = dosdd	DESIGNED -	REVISED -	STATE OF ILLINOIS DEPARTMENT OF TRANSPORTATION	IL 73	SCALE:	SHEET NO.	OF	SHEETS	STA.	TO STA.	F.A.P. RTE.	SECTION	COUNTY	TOTAL SHEETS	SHEET NO.
ct:\pw_work\PW100T\DOSSOD\dms33571\d02977cvr.dgn		DRAWN -	REVISED -			654	*	STEPHENSON	89	24				CONTRACT NO. 64C91		
PLOT SCALE = 50.0000' / IN.		CHECKED -	REVISED -									FED. ROAD DIST. NO.		ILLINOIS FED. AID PROJECT		
PLOT DATE = Wed Sep 24 07:49:50 2008		DATE -	REVISED -													

PATCHING SCHEDULE

13FOOT LANE WIDTH

7FOOT LANE WIDTH FOR 1/2 LANE PATCH

STATION	REMARKS	LENGTH OF PATCH		AREA OF CLASS B PATCHES, 14"								HMA REMOVAL OVER PATCHES 7"		HMA REPLACEMENT OVER PATCHES, 7"	
		LT LANE (feet)	RT LANE (feet)	TYPE 1		TYPE 2		TYPE 3		TYPE 4		LT LANE (sq yd)	RT LANE (sq yd)	LT LANE (tons)	RT LANE (tons)
				LT LANE (sq yd)	RT LANE (sq yd)	LT LANE (sq yd)	RT LANE (sq yd)	LT LANE (sq yd)	RT LANE (sq yd)	LT LANE (sq yd)	RT LANE (sq yd)				
328 + 64			6										10.0		3.91
328 + 85		6	6			8.7	8.7					10.0	10.0	3.91	3.91
329 + 80		12	12					17.3	17.3			18.6	18.6	7.30	7.30
331 + 87		6	6			8.7	8.7					10.0	10.0	3.91	3.91
332 + 81		6	6			8.7	8.7					10.0	10.0	3.91	3.91
333 + 48		25	6				8.7			36.1		37.4	10.0	14.67	3.91
334 + 5		6	6			8.7	8.7					10.0	10.0	3.91	3.91
335 + 83		25	25							36.1	36.1	37.4	37.4	14.67	14.67
336 + 86		10	30			14.4					43.3	15.7	44.6	6.17	17.50
337 + 68		50	50							72.2	72.2	73.5	73.5	28.82	28.82
338 + 87		6	6			8.7	8.7					10.0	10.0	3.91	3.91
339 + 32		12	12					17.3	17.3			18.6	18.6	7.30	7.30
339 + 87		6	8			8.7	11.6					10.0	12.9	3.91	5.04
340 + 21			6				8.7						10.0		3.91
340 + 46		6	20			8.7					28.9	10.0	30.2	3.91	11.83
340 + 82		6	6			8.7	8.7					10.0	10.0	3.91	3.91
341 + 35		6	45			8.7					65.0	10.0	66.3	3.91	25.99
342 + 33		20	20							28.9	28.9	30.2	30.2	11.83	11.83
343 + 22		6	6			8.7	8.7					10.0	10.0	3.91	3.91
343 + 57		8	18			11.6					26.0	12.9	27.3	5.04	10.70
344 + 8		6				8.7						10.0		3.91	
344 + 70		50	50							72.2	72.2	73.5	73.5	28.82	28.82
345 + 38			12						17.3				18.6		7.30
346 + 70		200	200							288.9	288.9	290.2	290.2	113.75	113.75
348 + 9		50	50							72.2	72.2	73.5	73.5	28.82	28.82
348 + 93		25	25							36.1	36.1	37.4	37.4	14.67	14.67
350 + 90		6	100			8.7					144.4	10.0	145.7	3.91	57.13
351 + 5		6				8.7						10.0		3.91	
352 + 34		6	6			8.7	8.7					10.0	10.0	3.91	3.91
352 + 57		6	6			8.7	8.7					10.0	10.0	3.91	3.91
353 + 36		12	30					17.3			43.3	18.6	44.6	7.30	17.50
354 + 23		50	50							72.2	72.2	73.5	73.5	28.82	28.82
355 + 70		15	8				11.6	21.7				23.0	12.9	9.00	5.04
356 + 12		10	10			14.4	14.4					15.7	15.7	6.17	6.17
356 + 48		8	8			11.6	11.6					12.9	12.9	5.04	5.04
357 + 9		6	6			8.7	8.7					10.0	10.0	3.91	3.91
357 + 87		6	6			8.7	8.7					10.0	10.0	3.91	3.91
358 + 34		10	10			14.4	14.4					15.7	15.7	6.17	6.17
358 + 82			6				8.7						10.0		3.91

FILE NAME =	USER NAME = dossed	DESIGNED -	REVISED -	STATE OF ILLINOIS DEPARTMENT OF TRANSPORTATION	IL 73				F.A.P. RTE.	SECTION	COUNTY	TOTAL SHEETS	SHEET NO.
ct:\pw_work\PWIDOT\DOSSDD\dms33571\d0297crr.dgn		DRAWN -	REVISED -						654	*	STEPHENSON	89	25
PLOT SCALE = 50,0000' / IN.		CHECKED -	REVISED -			SCALE:	SHEET NO.	OF SHEETS	STA.	TO STA.	CONTRACT NO. 64C91		
PLOT DATE = Wed Sep 24 07:50:52 2008		DATE -	REVISED -			FED. ROAD DIST. NO. ILLINOIS FED. AID PROJECT							

PATCHING SCHEDULE

13FOOT LANE WIDTH

7FOOT LANE WIDTH FOR 1/2 LANE PATCH

STATION	REMARKS	LENGTH OF PATCH		AREA OF CLASS B PATCHES, 14"								HMA REMOVAL OVER PATCHES 7"		HMA REPLACEMENT OVER PATCHES, 7"	
		LT LANE (feet)	RT LANE (feet)	TYPE 1		TYPE 2		TYPE 3		TYPE 4		LT LANE (sq yd)	RT LANE	LT LANE (tons)	RT LANE (tons)
				LT LANE (sq yd)	RT LANE (sq yd)	LT LANE (sq yd)	RT LANE (sq yd)	LT LANE (sq yd)	RT LANE (sq yd)	LT LANE (sq yd)	RT LANE (sq yd)				
359 + 27		6	6			8.7	8.7					10.0	10.0	3.91	3.91
360 + 12		6	6			8.7	8.7					10.0	10.0	3.91	3.91
362 + 84		6	6			8.7	8.7					10.0	10.0	3.91	3.91
364 + 52		6	6			8.7	8.7					10.0	10.0	3.91	3.91
366 + 84		6	6			8.7	8.7					10.0	10.0	3.91	3.91
368 + 7		6	6			8.7	8.7					10.0	10.0	3.91	3.91
370 + 23		15	6				8.7	21.7				23.0	10.0	9.00	3.91
370 + 65		6				8.7						10.0		3.91	
371 + 79		6	6			8.7	8.7					10.0	10.0	3.91	3.91
372 + 10		6				8.7						10.0		3.91	
374 + 52		6	6			8.7	8.7					10.0	10.0	3.91	3.91
375 + 40		6	6			8.7	8.7					10.0	10.0	3.91	3.91
377 + 31		6	6			8.7	8.7					10.0	10.0	3.91	3.91
379 + 16		6	6			8.7	8.7					10.0	10.0	3.91	3.91
379 + 70		6	6			8.7	8.7					10.0	10.0	3.91	3.91
380 + 51		6	6			8.7	8.7					10.0	10.0	3.91	3.91
382 + 25		30	30							43.3	43.3	44.6	44.6	17.50	17.50
383 + 17			6				8.7						10.0		3.91
386 + 48		6	6			8.7	8.7					10.0	10.0	3.91	3.91
387 + 17		6	12			8.7			17.3			10.0	18.6	3.91	7.30
390 + 84		8	16			11.6			23.1			12.9	24.4	5.04	9.57
392 + 71		15	15					21.7	21.7			23.0	23.0	9.00	9.00
393 + 25		6				8.7						10.0		3.91	
393 + 58		6	6			8.7	8.7					10.0	10.0	3.91	3.91
394 + 00		6	35			8.7					50.6	10.0	51.9	3.91	20.33
395 + 8		35	8				11.6			50.6		51.9	12.9	20.33	5.04
396 + 34		6	6			8.7	8.7					10.0	10.0	3.91	3.91
397 + 49		6	6			8.7	8.7					10.0	10.0	3.91	3.91
398 + 46		6	20			8.7					28.9	10.0	30.2	3.91	11.83
399 + 12		6	6			8.7	8.7					10.0	10.0	3.91	3.91
399 + 54		6	6			8.7	8.7					10.0	10.0	3.91	3.91
401 + 2		10				14.4						15.7		6.17	
401 + 23		6	12			8.7			17.3			10.0	18.6	3.91	7.30
401 + 81		6	6			8.7	8.7					10.0	10.0	3.91	3.91
403 + 50		6	6			8.7	8.7					10.0	10.0	3.91	3.91
404 + 44		6	6			8.7	8.7					10.0	10.0	3.91	3.91
405 + 17		6	6			8.7	8.7					10.0	10.0	3.91	3.91
405 + 44		6	6				8.7						10.0		3.91
405 + 97		6	6			8.7	8.7					10.0	10.0	3.91	3.91

FILE NAME =	USER NAME = dssdd	DESIGNED -	REVISED -	STATE OF ILLINOIS DEPARTMENT OF TRANSPORTATION	IL 73	SCALE:	SHEET NO.	OF	SHEETS	STA.	TO STA.	F.A.P. RTE.	SECTION	COUNTY	TOTAL SHEETS	SHEET NO.
es:\pw_work\PWID001\DOSSDD\dms33571\vd02977cvr.dgn		DRAWN -	REVISED -			654	*	STEPHENSON	89	26				CONTRACT NO. 64C91		
PLOT SCALE = 50.0000' / IN.		CHECKED -	REVISED -									FED. ROAD DIST. NO.		ILLINOIS FED. AID PROJECT		
PLOT DATE = Wed Sep 24 07:51:19 2008		DATE -	REVISED -													

PATCHING SCHEDULE

13FOOT LANE WIDTH

7FOOT LANE WIDTH FOR 1/2 LANE PATCH

STATION	REMARKS	LENGTH OF PATCH		AREA OF CLASS B PATCHES, 14"								HMA REMOVAL OVER PATCHES 7"		HMA REPLACEMENT OVER PATCHES, 7"	
		LT LANE (feet)	RT LANE (feet)	TYPE 1		TYPE 2		TYPE 3		TYPE 4		LT LANE (sq yd)	RT LANE (sq yd)	LT LANE (tons)	RT LANE (tons)
				LT LANE (sq yd)	RT LANE (sq yd)	LT LANE (sq yd)	RT LANE (sq yd)	LT LANE (sq yd)	RT LANE (sq yd)	LT LANE (sq yd)	RT LANE (sq yd)				
406 + 80		42	42							60.7	60.7	62.0	62.0	24.29	24.29
407 + 50		25	12						17.3	36.1		37.4	18.6	14.67	7.30
407 + 84		19	6				8.7			27.4		28.7	10.0	11.27	3.91
409 + 49		6	6			8.7	8.7					10.0	10.0	3.91	3.91
410 + 4		6	18			8.7					26.0	10.0	27.3	3.91	10.70
412 + 28		20	20							28.9	28.9	30.2	30.2	11.83	11.83
413 + 90		6	6			8.7	8.7					10.0	10.0	3.91	3.91
418 + 25		6	6			8.7	8.7					10.0	10.0	3.91	3.91
421 + 55		6	6			8.7						10.0		3.91	
422 + 22		16	6				8.7	23.1				24.4	10.0	9.57	3.91
423 + 1		6	6			8.7	8.7					10.0	10.0	3.91	3.91
424 + 50		100	100							144.4	144.4	145.7	145.7	57.13	57.13
426 + 13		40	40							57.8	57.8	59.1	59.1	23.16	23.16
428 + 62		6	6			8.7	8.7					10.0	10.0	3.91	3.91
430 + 55		7	7			10.1	10.1					11.4	11.4	4.47	4.47
433 + 26		6	6			8.7	8.7					10.0	10.0	3.91	3.91
434 + 54		20	20							28.9	28.9	30.2	30.2	11.83	11.83
436 + 33		6	6			8.7	8.7					10.0	10.0	3.91	3.91
437 + 75		6	6			8.7						10.0		3.91	
439 + 43		6	6			8.7	8.7					10.0	10.0	3.91	3.91
440 + 93		6	6			8.7	8.7					10.0	10.0	3.91	3.91
442 + 20		100	100							144.4	144.4	145.7	145.7	57.13	57.13
444 + 10		140	140							202.2	202.2	203.5	203.5	79.78	79.78
445 + 35		20	20							28.9	28.9	30.2	30.2	11.83	11.83
445 + 90		10	10			14.4	14.4					15.7	15.7	6.17	6.17
446 + 25		6	6			8.7	8.7					10.0	10.0	3.91	3.91
447 + 4		6	6			8.7	8.7					10.0	10.0	3.91	3.91
453 + 5		6	6			8.7	8.7					10.0	10.0	3.91	3.91
454 + 82		15	15					21.7	21.7			23.0	23.0	9.00	9.00
455 + 56		6	6			8.7	8.7					10.0	10.0	3.91	3.91
456 + 30		6	6			8.7	8.7					10.0	10.0	3.91	3.91
458 + 90		6	6			8.7	8.7					10.0	10.0	3.91	3.91
463 + 13		12	12					17.3	17.3			18.6	18.6	7.30	7.30
465 + 53			6				8.7						10.0		3.91
470 + 39		6	6			8.7						10.0		3.91	
470 + 76		6	6			8.7	8.7					10.0	10.0	3.91	3.91
471 + 98		6	6			8.7	8.7					10.0	10.0	3.91	3.91
478 + 60		6	6			8.7						10.0		3.91	
499 + 40		22	6				8.7			31.8		33.1	10.0	12.97	3.91

FILE NAME =	USER NAME = dssdd	DESIGNED -	REVISED -	STATE OF ILLINOIS DEPARTMENT OF TRANSPORTATION	IL 73	F.A.P. RTE.	SECTION	COUNTY	TOTAL SHEETS	SHEET NO.	
ct:\pw_work\NPWIDOT\DOSSDD\dms33571\d02977.cvr.dgn		DRAWN -	REVISED -			654	*	STEPHENSON	89	27	
PLOT SCALE = 50.0000' / IN.		CHECKED -	REVISED -			CONTRACT NO. 64C91					
PLOT DATE = Wed Sep 24 07:51:32 2008		DATE -	REVISED -			SCALE:	SHEET NO.	OF	SHEETS	STA.	TO STA.

PATCHING SCHEDULE

13FOOT LANE WIDTH

7FOOT LANE WIDTH FOR 1/2 LANE PATCH

STATION	REMARKS	LENGTH OF PATCH		AREA OF CLASS B PATCHES, 14"								HMA REMOVAL OVER PATCHES 7"		HMA REPLACEMENT OVER PATCHES 7"			
		LT LANE (feet)	RT LANE (feet)	TYPE 1		TYPE 2		TYPE 3		TYPE 4		LT LANE (sq yd)	RT LANE (sq yd)	LT LANE (tons)	RT LANE (tons)		
				LT LANE (sq yd)	RT LANE (sq yd)	LT LANE (sq yd)	RT LANE (sq yd)	LT LANE (sq yd)	RT LANE (sq yd)	LT LANE (sq yd)	RT LANE (sq yd)						
500 + 37		6				8.7							10.0		3.91		
504 + 45		6				8.7							10.0		3.91		
510 + 96			25								36.1		37.4			14.67	
511 + 60			8				11.6						12.9			5.04	
511 + 86		6	6			8.7	8.7						10.0	10.0	3.91	3.91	
513 + 75		6	6			8.7	8.7						10.0	10.0	3.91	3.91	
514 + 77			6				8.7						10.0			3.91	
516 + 42		25	25							36.1	36.1		37.4	37.4	14.67	14.67	
530 + 25		6	6			8.7	8.7						10.0	10.0	3.91	3.91	
532 + 24		25	25							36.1	36.1		37.4	37.4	14.67	14.67	
539 + 20		6	15			8.7			21.7				10.0	23.0	3.91	9.00	
539 + 73		6	6			8.7	8.7						10.0	10.0	3.91	3.91	
541 + 13			6				8.7						10.0			3.91	
547 + 24			20									28.9		30.2		11.83	
547 + 86			10				14.4							15.7		6.17	
548 + 75			100									144.4		145.7		57.13	
557 + 50		20								28.9			30.2		11.83		
558 + 49		15						21.7					23.0		9.00		
561 + 36		6	6			8.7	8.7						10.0	10.0	3.91	3.91	
561 + 87		6				8.7							10.0		3.91	0.00	
562 + 2			50									72.2		73.5		28.82	
562 + 50		25								36.1			37.4		14.67		
563 + 23			6				8.7							10.0		3.91	
563 + 78		6	6			8.7	8.7						10.0	10.0	3.91	3.91	
564 + 59		6	6			8.7	8.7						10.0	10.0	3.91	3.91	
565 + 39		6	6			8.7	8.7						10.0	10.0	3.91	3.91	
565 + 88			6				8.7							10.0		3.91	
567 + 49		6	6			8.7	8.7						10.0	10.0	3.91	3.91	
568 + 48		6	6			8.7	8.7						10.0	10.0	3.91	3.91	
568 + 85		6				8.7							10.0		3.91		
569 + 95		6	6			8.7	8.7						10.0	10.0	3.91	3.91	
570 + 80		28	6				8.7			40.4			41.7	10.0	16.36	3.91	
571 + 64		8	8			11.6	11.6						12.9	12.9	5.04	5.04	
573 + 48		6				8.7							10.0		3.91		
574 + 69		45	25							65.0	36.1		66.3	37.4	25.99	14.67	
577 + 87		26	26							37.6	37.6		38.9	38.9	15.23	15.23	
Total						1422.8	1521.0	257.1	338.0	2277.9	3466.7	4225.6	5636.4	1656.4	2209.5		
Expect to replace 5% +/- of total						71.1	76.1	25.7	33.8	113.9	173.3						
Grand Total						147.2		59.5		287.2		9861.9		3865.9			

FILE NAME =	USER NAME = dossed	DESIGNED -	REVISED -	STATE OF ILLINOIS DEPARTMENT OF TRANSPORTATION	IL 73	F.A.P. RTE.	SECTION	COUNTY	TOTAL SHEETS	SHEET NO.
ct\pwr_work\PWIDOT\DOSSDD\dms33571\d0297evr.dgn		DRAWN -	REVISED -			654	*	STEPHENSON	89	28
PLOT SCALE = 50,0000' / IN.		CHECKED -	REVISED -			FED. ROAD DIST. NO. ILLINOIS FED. AID PROJECT				
PLOT DATE = Wed Sep 24 07:51:58 2008		DATE -	REVISED -			CONTRACT NO. 64C91				

ENTRANCE SCHEDULE

40600200 40800050

STATION	TYPE, RT/LT	REMARKS	EXISTING SURFACE TYPE	FLARE WIDTH (FT)	THROAT WIDTH (FT)	LENGTH (FT)	TOTAL AREA (SQ YD)	BIT PRIME (TONS)	INCIDEN BIT SURF (TONS)
19+31	PER		BIT	48	20	24	90.7	0.03	12.7
22+64	CER		BIT	50	19	21	80.5	0.02	11.3
23+12	PEL		BIT	84	13	27	145.5	0.04	20.4
35+29	PER		AGG	42	17	30	98.3	0.14	13.8
35+43	FE/MBL	PAVE MB ONLY	AGG	51	41	6	30.7	0.04	4.3
55+06	PEL		BIT	24	12	15	30.0	0.01	4.2
61+79	PE/MBL		BIT	88	20	21	126.0	0.18	17.6
64+53	PE/MBL		BIT	75	20	21	110.8	0.03	15.5
91+14	PER		BIT	18	12	18	30.0	0.01	4.2
91+29	MBL		AGG	110	20	6	43.3	0.06	6.1
101+53	PE/MBL		BIT	81	12	15	77.5	0.02	10.9
125+83	PE/MBL		BIT	110	12	21	142.3	0.04	19.9
142+00	MBL		BIT	110	20	6	43.3	0.01	6.1
142+52	PEL		AGG	36	15	21	59.5	0.09	8.3
143+89	PER		BIT	36	12	18	48.0	0.01	6.7
168+17	PER		AGG	24	15	21	45.5	0.07	6.4
168+17	MBL		AGG	110	20	6	43.3	0.06	6.1
183+25	CER		BIT	42	20	20	68.9	0.02	9.6
194+90	FE/MBL	PAVE MB ONLY	AGG	65	20	6	28.3	0.04	4.0
196+31	PEL		BIT	36	18	24	72.0	0.02	10.1
202+80	PER		BIT	30	18	24	64.0	0.02	9.0
202+80	MBL		AGG	110	20	6	43.3	0.06	6.1
212+42	PE/MBL		BIT	81	24	18	105.0	0.03	14.7
214+60	MBL		BIT	110	20	6	43.3	0.01	6.1
215+67	PER		BIT	30	15	21	52.5	0.02	7.4
217+70	CER		BIT	75	75	6	50.0	0.01	7.0
218+00	PE/MBL		PCC/AGG	66	21	9	43.5	0.01	6.1
219+50	PE/MBL		BIT/AGG	69	21	6	30.0	0.01	4.2
219+70	CER		BIT	75	75	6	50.0	0.01	7.0
219+90	PEL		PCC	21	21	6	14.0	0.00	2.0
220+73	CER		BIT	40	40	6	26.7	0.01	3.7
221+00	PEL		BIT	36	36	6	24.0	0.01	3.4
222+31	PE/MBL		BIT	85	40	6	41.7	0.01	5.8

FILE NAME =	USER NAME = dossed	DESIGNED -	REVISED -	STATE OF ILLINOIS DEPARTMENT OF TRANSPORTATION	IL 73				F.A.P. RTE.	SECTION	COUNTY	TOTAL SHEETS	SHEET NO.
ct:\pw_work\PWIDOT\DOSSDD\dms33571\02977cvr.dgn		DRAWN -	REVISED -						654	*	STEPHENSON	89	29
PLOT SCALE = 50.0000' / IN.		CHECKED -	REVISED -						CONTRACT NO. 64C91				
PLOT DATE = Wed Sep 24 07:52:23 2008		DATE -	REVISED -		SCALE:	SHEET NO.	OF	SHEETS	STA.	TO STA.	FED. ROAD DIST. NO. ILLINOIS FED. AID PROJECT		

ENTRANCE SCHEDULE

40600200 40800050

STATION	TYPE, RT/LT	REMARKS	EXISTING SURFACE TYPE	FLARE WIDTH (FT)	THROAT WIDTH (FT)	LENGTH (FT)	TOTAL AREA (SQ YD)	BIT PRIME (TONS)	INCIDEN BIT SURF (TONS)
222+64	CER		BIT	45	45	6	30.0	0.01	4.2
228+00	PER		BIT	20	20	6	13.3	0.00	1.9
280+15	CEL		BIT	33	21	21	63.0	0.02	8.8
327+24	PEL		BIT	36	15	21	59.5	0.02	8.3
327+24	MBR		BIT	110	20	6	43.3	0.01	6.1
340+66	PER		AGG	40	24	18	64.0	0.09	9.0
341+80	PER		BIT	36	12	18	48.0	0.01	6.7
360+46	FER		BIT	36	20	18	56.0	0.02	7.8
362+24	PE/MBR		BIT	90	15	18	105.0	0.03	14.7
366+31	MBR		BIT	110	20	6	43.3	0.01	6.1
370+37	PE/MBR		BIT	90	15	18	105.0	0.03	14.7
375+43	PER		BIT	24	12	18	36.0	0.01	5.0
376+38	PE/MBR		BIT	85	15	18	100.0	0.03	14.0
377+75	PE/MBR		BIT	75	12	18	87.0	0.02	12.2
429+43	PE/MBR		AGG	95	12	18	107.0	0.15	15.0
458+69	PE/MBR		BIT	95	12	18	107.0	0.03	15.0
471+41	PEL		BIT	36	20	18	56.0	0.02	7.8
483+69	FEL	RECONSTRUCTED FE	GRASS	54	24	41.5	141.9	0.00	0.0
484+66	FER	RECONSTRUCTED FE	GRASS	54	24	58	183.7	0.00	0.0
487+18	FER	RECONSTRUCTED FE	GRASS	54	24	48.7	165.0	0.00	0.0
490+00	PE/MBR		BIT	90	12	28	158.7	0.05	22.2
492+50	MBR		BIT	110	20	6	43.3	0.01	6.1
505+96	PEL		AGG	36	15	18	51.0	0.07	7.1
505+96	PER		BIT	78	15	18	93.0	0.03	13.0
511+66	PEL		BIT	30	12	18	42.0	0.01	5.9
512+64	PEL		BIT	30	12	18	42.0	0.01	5.9
537+36	PEL		BIT	30	12	18	42.0	0.01	5.9
538+10	MBR		BIT	65	20	6	28.3	0.01	4.0
543+76	PE/MBR		BIT	95	12	21	124.8	0.04	17.5
546+18	FEL		BIT	54	21	18	75.0	0.02	10.5
555+77	FEL		BIT	54	21	18	75.0	0.02	10.5
559+05	PER		BIT	36	15	15	42.5	0.01	6.0
560+27	PE/MBR		BIT	75	21	18	96.0	0.03	13.4
567+35	MBR		BIT	100	20	6	40.0	0.01	5.6
567+63	PEL		BIT	43	21	15	53.3	0.02	7.5
574+20	CEL		BIT	59	28	15	72.5	0.02	10.2
576+91	PER		BIT	24	12	18	36.0	0.01	5.0
TOTALS								2.06	593.8

FILE NAME =	USER NAME = dnoesdd	DESIGNED -	REVISED -	STATE OF ILLINOIS DEPARTMENT OF TRANSPORTATION	IL 73				F.A.P. RTE.	SECTION	COUNTY	TOTAL SHEETS	SHEET NO.
ct:\pw_work\PW1001\DOSSDD\dms33571\d02967ovr.dgn		DRAWN -	REVISED -						654	*	STEPHENSON	89	30
PLOT SCALE = 50.0000' / IN.		CHECKED -	REVISED -						CONTRACT NO. 64C91				
PLOT DATE = Wed Sep 24 07:52:45 2008		DATE -	REVISED -						FED. ROAD DIST. NO. ILLINOIS FED. AID PROJECT				

SCHEDULE OF QUANTITIES

20200100 EARTH EXCAVATION

CU YD	LOCATION	TO	OFFSET	REMARKS
1096.0	479+50	489+50	LT	Stage I
2231.0	479+50	489+50	RT	Stage II
3330.0	TOTAL			

20201200 REMOVAL AND DISPOSAL OF UNSUITABLE MATERIAL

CU YD	LOCATION	OFFSET	REMARKS
145.0	486+64	50' LT TO 50' RT	
145.0	TOTAL		

25000100 SEEDING, CLASS 1

ACRE	LOCATION	TO	OFFSET	REMARKS
0.25	487+32	489+50	RT	
0.25	TOTAL			

25000210 SEEDING, CLASS 2A

ACRE	LOCATION	TO	OFFSET	REMARKS
0.50	479+64	487+08	RT	
0.25	479+64	489+50	LT	
0.75	TOTAL			

25000310 SEEDING, CLASS 4

ACRE	LOCATION	TO	OFFSET	REMARKS
0.25	479+64	487+08	RT	
0.25	479+64	498+50	LT	
0.50	TOTAL			

25000750 MOWING

ACRE	LOCATION	TO	OFFSET	REMARKS
1.00	479+64	489+50	LT & RT	MOW CL 1 AND CL 2A SEEDING.
1.00	TOTAL			

25100630 EROSION CONTROL BLANKET

SQ YD	LOCATION	TO	OFFSET	REMARKS
659.6	479+64	483+58	LT	
448.4	483+81	485+00	LT	
678.0	485+00	486+64	LT	
14.6	486+64		LT	OVER CULVERT
687.6	486+64	489+50	LT	
1441.3	479+64	484+58	RT	
106.8	484+77	485+00	RT	
788.7	485+00	487+08	RT	
504.6	487+32	489+50	RT	
5329.6	TOTAL			

25100900 TURF REINFORCEMENT MAT

SQ YD	LOCATION	TO	OFFSET	REMARKS
351.5	486+00	487+06	RT	PLACE FROM DITCH BOTTOM TO OUTSIDE EDGE
351.5	TOTAL			

28000250 TEMPORARY EROSION CONTROL SEEDING

LB	LOCATION	TO	OFFSET	REMARKS
450.0	479+50	487+50	VAR	
450.0	TOTAL			

28000300 TEMPORARY DITCH CHECK

EACH	LOCATION	OFFSET	REMARKS
1	480+50	30' LT	
1	481+25	29' LT	
1	482+75	40' LT	
1	484+00	40' LT	
1	485+25	44' LT	
1	486+50	50' LT	
1	486+75	47' LT	
1	487+10	45' LT	
1	487+45	41' LT	
1	487+80	36' LT	
1	488+15	35' LT	
1	488+50	33' LT	
1	488+85	30' LT	
1	480+00	30' RT	
1	481+00	33' RT	
1	482+00	35' RT	
1	483+50	40' RT	
1	485+00	44' RT	
1	486+50	52' RT	
1	486+75	48' RT	
1	487+80	36' RT	
1	488+15	34' RT	
1	488+50	32' RT	
1	488+85	30' RT	
24	TOTAL		

28000400 PERIMETER EROSION BARRIER

FOOT	LOCATION	TO	OFFSET	REMARKS
478.3	479+64	484+53	RT	
475.8	484+76	498+50	RT	
383.7	479+64	483+58	LT	
118.2	483+81	485+00	LT	
453.3	485+00	489+50	LT	
1909.3	TOTAL			

28000500 INLET AND PIPE PROTECTION

EACH	LOCATION	OFFSET	REMARKS
1	483+45	39' LT	
1	484+30	43' RT	
1	486+84	50' RT	
1	487+45	44' RT	
4	TOTAL		

28100107 STONE RIPRAP, CLASS A4

SQ YD	LOCATION	OFFSET	REMARKS
33.3	486+63	50' RT	30' X 10'
35.6	486+63	50' LT	16' X 20'
68.9	TOTAL		

SCHEDULE OF QUANTITIES

28200200 FILTER FABRIC

SQ_YD	LOCATION	OFFSET	REMARKS
33.3	486+63	50' RT	30' X 10'
35.6	486+63	50' LT	16' X 20'
68.9	TOTAL		

35101400 AGGREGATE BASE COURSE, TYPE B

TONS	LOCATION	OFFSET	REMARKS
43.2	484+77 TO 488+18	LT	4" THICK
64.6	483+69	LT	8" THICK
83.7	484+66	LT	8" THICK
75.1	487+18	RT	8" THICK
266.6	TOTAL		

40600525 LEVELING BINDER (HAND METHOD), N50

TON	LOCATION	OFFSET	REMARKS
54.0	0+00 TO 578+00		
54.0	TOTAL		

40600895 CONSTRUCTING TEST STRIP

EACH	LOCATION	OFFSET	REMARKS
1.0	0+00 TO 578+00		
1.0	TOTAL		

40600985 PORTLAND CEMENT CONCRETE SURFACE REMOVAL - BUTT JOINT

SQ_YD	LOCATION	OFFSET	REMARKS
80.0	305+91 TO 306+11		2" TO 0" IN TWENTY FEET
80.0	307+45 TO 307+65		2" TO 0" IN TWENTY FEET
160.0	TOTAL		

42001200 PAVEMENT FABRIC

SQ_YD	LOCATION	OFFSET	REMARKS
37.6	481+04	LT	
37.6	481+04	RT	
62.1	486+64	LT	STAGE I
62.1	486+64	RT	STAGE II
199.4	TOTAL		

44000915 HOT MIX ASPHALT SURFACE REMOVAL (DECK)

SQ_YD	LOCATION	OFFSET	REMARKS
110.0	416+70 TO 417+15		APPROXIMATELY 1"
110.0	TOTAL		

44201025 CLASS B PATCHES, TYPE IV, 14 IN

SQ_YD	LOCATION	OFFSET	REMARKS
37.6	481+04	LT	
37.6	481+04	RT	
62.1	486+64	LT	STAGE I
62.1	486+64	RT	STAGE II
199.4	TOTAL		

44213200 SAW CUTS

FOOT	LOCATION	OFFSET	REMARKS
156.0	481+04		
204.0	486+64		
360.0	TOTAL		

44300200 STRIP REFLECTIVE CRACK CONTROL TREATMENT

EQOT	LOCATION	OFFSET	REMARKS
115950	ENTIRE LENGTH OF PROJECT	LT & RT	PLACE AT WIDENING JOINT
115950	TOTAL		

48203020 HOT MIX ASPHALT SHOULDERS, 5 3/4"

SQ_YD	LOCATION	OFFSET	REMARKS
10.0	479+64 TO 480+00	14' LT TO 17' LT	
212.0	480+00 TO 484+77	17' LT	
151.6	484+77 TO 488+18	17' LT	STAGE I--REQUIRED FOR STAGE II
36.4	488+18 TO 489+00	17' LT	
10.0	489+00 TO 489+36	17' LT TO 14' LT	
10.0	479+64 TO 480+00	14' RT TO 17' RT	
400.0	480+00 TO 489+00	17' RT	
10.0	489+00 TO 489+36	17' RT TO 14' RT	
840.0	TOTAL		

50100300 REMOVAL OF EXISTING STRUCTURES NO.1

EACH	LOCATION	OFFSET	REMARKS
1.0	486+64		
1.0	TOTAL		

50100400 REMOVAL OF EXISTING STRUCTURES NO.2

EACH	LOCATION	OFFSET	REMARKS
1.0	481+04		
1.0	TOTAL		TRAFFIC

51500100 NAME PLATES

EACH	LOCATION	OFFSET	REMARKS
1.0	486+64	RT	PLACE ON UPSTREAM SIDE
1.0	TOTAL		

54001000 BOX CULVERT END SECTIONS

EACH	LOCATION	OFFSET	REMARKS
2	486+64		
2	TOTAL		

54011003 PRECAST CONCRETE BOX CULVERT 10'X3'

FOOT	LOCATION	OFFSET	REMARKS
66.0	486+64		
66.0	TOTAL		

542D0223 PIPE CULVERTS, CLASS D, TYPE 1, 18"

FOOT	LOCATION	OFFSET	REMARKS
44.0	483+68	39' LT	
48.0	487+18	44' RT	
92.0	TOTAL		

542D1063 PIPE CULVERTS, CLASS D, TYPE 2, 18"

FOOT	LOCATION	OFFSET	REMARKS
68.0	484+66	43' RT	
68.0	TOTAL		

FILE NAME =	USER NAME = dossed	DESIGNED -	REVISED -	STATE OF ILLINOIS DEPARTMENT OF TRANSPORTATION	IL 73	F.A.P. RTE.	SECTION	COUNTY	TOTAL SHEETS	SHEET NO.
ca:\pwork\pwork\DDSSD\dms33571\d0297crr.dgn	DRAWN -	REVISED -	654			*	STEPHENSON	89	32	
PLOT SCALE = 50.0000' / IN.	CHECKED -	REVISED -	CONTRACT NO. 64C91							
PLOT DATE = Wed Sep 24 07:42:27 2008	DATE -	REVISED -	FED. ROAD DIST. NO. ILLINOIS FED. AID PROJECT							

SCHEDULE OF QUANTITIES

54215553 METAL END SECTIONS, 18"

EACH	LOCATION	OFFSET	REMARKS
2.0	483+68	39' LT	
2.0	484+66	43' RT	
2.0	487+18	44' RT	
6.0	TOTAL		

60255500 MANHOLES TO BE ADJUSTED

EACH	LOCATION	OFFSET	REMARKS
1	242+00	25' LT	STORM
1	242+03	15' RT	SANITARY
1	242+20	28' LT	STORM
1	263+65	20' RT	STORM
4	TOTAL		

60265700 VALVE VAULTS TO BE ADJUSTED

EACH	LOCATION	OFFSET	REMARKS
2	226+68	21' LT	WALGREN ROAD
1	242+10	28' LT	SOUTH STREET
1	242+13	25' LT	SOUTH STREET
1	242+16	25' LT	SOUTH STREET
1	242+32	18' RT	SOUTH STREET
1	246+24	17' RT	DEVORE STREET
1	246+25	21' RT	DEVORE STREET
1	246+27	16' LT	DEVORE STREET
1	246+28	17' LT	DEVORE STREET
1	246+29	16' LT	DEVORE STREET
1	246+35	17' RT	DEVORE STREET
1	246+55	26' LT	
1	249+45	26' LT	
1	251+73	17' LT	NORTH STREET
1	251+97	20' RT	NORTH STREET
1	252+31	20' RT	NORTH STREET
1	252+34	21' RT	NORTH STREET
1	252+36	20' RT	NORTH STREET
1	252+39	26' LT	
1	252+90	19' LT	
21	TOTAL		

60265800 VALVE VAULTS TO BE ADJUSTED (SPECIAL)

EACH	LOCATION	OFFSET	REMARKS
1	251+77	17' LT	NORTH STREET
1	252+95	19' LT	
1	277+70	17' LT	GARFIELD ROAD
3	TOTAL		

61100500 EXPLORATION TRENCH 52" DEPTH

FOOT	LOCATION	OFFSET	REMARKS
600.0	482+00 TO 488+00	VAR. RT	
450.0	483+50 TO 488+00	VAR. LT	
1050.0	TOTAL		

61100605 MISCELLANEOUS CONCRETE

CU YD	LOCATION	OFFSET	REMARKS
1.0	486+63	VAR RT	HEADWALL FOR EXISTING 8" TILE OUTLETS
1.0	486+63	VAR RT	HEADWALL FOR EXISTING 8" TILE OUTLETS
1.9	TOTAL		

61101013 STORM SEWERS PROTECTED, CLASS A, 12"

FOOT	LOCATION	OFFSET	REMARKS
10	481+10	35' LT TO 45' RT	
94	VAR	VAR	ESTIMATED QUANTITY TO BE USED IF NECESSARY
104	TOTAL		

61133100 FIELD TILE JUNCTION VAULTS, 2' DIA.

EACH	LOCATION	OFFSET	REMARKS
1	481+10	35' LT	
3	VAR	VAR	ESTIMATED QUANTITY TO BE USED IF NECESSARY
4	TOTAL		

63200310 GUARDRAIL REMOVAL

FOOT	LOCATION	OFFSET	REMARKS
100	480+50 TO 481+50	RT	
100	480+50 TO 481+50	LT	
100	486+00 TO 487+00	RT	
100	486+14 TO 487+14	LT	
400	TOTAL		

63500105 DELINEATORS

EACH	LOCATION	OFFSET	REMARKS
1	98+38	20' LT	AR CULVERT
1	467+55	17' RT	AR CULVERT
1	486+58	33' RT	
1	486+68	33' LT	
4	TOTAL		

66411900 TEMPORARY FENCE

FOOT	LOCATION	OFFSET	REMARKS
378	486+00 TO 489+53	VAR	
378	TOTAL		

66600105 FURNISHING AND ERECTING RIGHT OF WAY MARKERS

EACH	LOCATION	OFFSET	REMARKS
1	479+75	35' LT	
1	480+50	45' LT	
1	482+50	45' LT	
1	484+50	70' LT	
1	486+50	70' LT	
1	489+00	45' LT	
1	489+50	35' LT	
1	489+54	41' RT	
1	487+00	75' RT	
1	486+75	100' RT	
1	486+35	100' RT	
1	486+00	75' RT	
1	484+25	75' RT	
1	480+50	45' RT	
1	479+75	35' RT	
15	TOTAL		

66700305 PERMANENT SURVEY MARKERS TYPE II

EACH	LOCATION	OFFSET	REMARKS
3	AT CULVERT LOCATIONS		CONTACT SURVEY DEPARTMENT
3	TOTAL		

SCHEDULE OF QUANTITIES

78001110 PAINT PAVEMENT MARKING - LINE 4"

FOOT	LOCATION	OFFSET	REMARKS
3,296	0+00 TO 16+48	CL	DOUBLE YELLOW
879	16+48 TO 23+51	CL	YELLOW, SKIP DASH NB, NO PASSING ZONE SB
122	23+51 TO 28+38	CL	YELLOW SKIP DASH
885	28+38 TO 35+46	CL	YELLOW, NO PASSING ZONE NB, SKIP DASH SB
1,384	35+46 TO 42+38	CL	DOUBLE YELLOW
1,153	42+38 TO 51+60	CL	YELLOW, SKIP DASH NB, NO PASSING ZONE SB
6,104	51+60 TO 82+12	CL	DOUBLE YELLOW
1,248	82+12 TO 92+10	CL	YELLOW, SKIP DASH NB, NO PASSING ZONE SB
280	92+10 TO 103+31	CL	YELLOW SKIP DASH
411	103+31 TO 106+60	CL	YELLOW, NO PASSING ZONE NB, SKIP DASH SB
1,626	106+60 TO 114+73	CL	DOUBLE YELLOW
1,169	114+73 TO 124+08	CL	YELLOW, SKIP DASH NB, NO PASSING ZONE SB
242	124+08 TO 133+75	CL	YELLOW SKIP DASH
913	133+75 TO 141+05	CL	YELLOW, NO PASSING ZONE NB, SKIP DASH SB
47	141+05 TO 142+94	CL	YELLOW SKIP DASH
851	142+94 TO 149+75	CL	YELLOW, SKIP DASH NB, NO PASSING ZONE SB
231	149+75 TO 158+97	CL	YELLOW SKIP DASH
1,009	158+97 TO 167+04	CL	YELLOW, NO PASSING ZONE NB, SKIP DASH SB
77	167+04 TO 170+12	CL	YELLOW SKIP DASH
455	170+12 TO 173+76	CL	YELLOW, NO PASSING ZONE NB, SKIP DASH SB
2,308	173+76 TO 185+30	CL	DOUBLE YELLOW
1,160	185+30 TO 194+58	CL	YELLOW, SKIP DASH NB, NO PASSING ZONE SB
92	194+58 TO 198+25	CL	YELLOW SKIP DASH
1,319	198+25 TO 208+80	CL	YELLOW, NO PASSING ZONE NB, SKIP DASH SB
1,260	208+80 TO 215+10	CL	DOUBLE YELLOW
549	215+10 TO 219+49	CL	YELLOW, SKIP DASH NB, NO PASSING ZONE SB
2,361	219+49 TO 313+93	CL	YELLOW SKIP DASH
1,190	313+93 TO 323+45	CL	YELLOW, NO PASSING ZONE NB, SKIP DASH SB
2,934	323+45 TO 338+12	CL	DOUBLE YELLOW
1,154	338+12 TO 347+35	CL	YELLOW, SKIP DASH NB, NO PASSING ZONE SB
171	347+35 TO 354+19	CL	YELLOW SKIP DASH
1,459	354+19 TO 365+86	CL	YELLOW, NO PASSING ZONE NB, SKIP DASH SB
1,143	365+86 TO 375+00	CL	YELLOW, SKIP DASH NB, NO PASSING ZONE SB
438	375+00 TO 392+50	CL	YELLOW SKIP DASH
1,346	392+50 TO 403+27	CL	YELLOW, NO PASSING ZONE NB, SKIP DASH SB
218	403+27 TO 404+36	CL	DOUBLE YELLOW
1,279	404+36 TO 414+59	CL	YELLOW, SKIP DASH NB, NO PASSING ZONE SB
124	414+59 TO 419+53	CL	YELLOW SKIP DASH
1,184	419+53 TO 429+00	CL	YELLOW, NO PASSING ZONE NB, SKIP DASH SB
200	429+00 TO 430+00	CL	DOUBLE YELLOW
946	430+00 TO 437+57	CL	YELLOW, SKIP DASH NB, NO PASSING ZONE SB
88	437+57 TO 441+10	CL	YELLOW SKIP DASH
1,296	441+10 TO 451+47	CL	YELLOW, NO PASSING ZONE NB, SKIP DASH SB
4,554	451+47 TO 474+24	CL	DOUBLE YELLOW
750	474+24 TO 480+24	CL	YELLOW, SKIP DASH NB, NO PASSING ZONE SB
86	480+24 TO 483+69	CL	YELLOW SKIP DASH
1,176	483+69 TO 493+10	CL	YELLOW, NO PASSING ZONE NB, SKIP DASH SB
472	493+10 TO 495+46	CL	DOUBLE YELLOW
1,103	495+46 TO 504+28	CL	YELLOW, SKIP DASH NB, NO PASSING ZONE SB
86	504+28 TO 507+70	CL	YELLOW SKIP DASH
803	507+70 TO 514+12	CL	YELLOW, NO PASSING ZONE NB, SKIP DASH SB
5,196	514+12 TO 540+10	CL	DOUBLE YELLOW
1,379	540+10 TO 551+13	CL	YELLOW, SKIP DASH NB, NO PASSING ZONE SB
1,496	551+13 TO 563+10	CL	YELLOW, NO PASSING ZONE NB, SKIP DASH SB
2,980	563+10 TO 578+00	CL	DOUBLE YELLOW
24,174	0+00 TO 241+74	12' LT	WHITE EDGE LINE
32,435	253+65 TO 578+00	12' LT	WHITE EDGE LINE
24,174	0+00 TO 241+74	12' RT	WHITE EDGE LINE
32,435	253+65 TO 578+00	12' RT	WHITE EDGE LINE
179,895	SUBTOTAL		
224	241+74 TO 253+65	RT	WHITE PARKING LINES
228	241+74 TO 253+65	RT	YELLOW NO PARKING LINES (INCLUDING DIAGONALS)
224	241+74 TO 253+65	LT	WHITE PARKING LINES
548	241+74 TO 253+65	LT	YELLOW NO PARKING LINES (INCLUDING DIAGONALS)
181,119	SUBTOTAL		
X 2	TWO APPLICATIONS		
362,237	TOTAL		

ITEM NO	DESCRIPTION	EACH	LOCATION	OFFSET	REMARKS
78100100	RAISED REFLECTIVE PAVEMENT MARKER				
		723	0+00 TO 578+00	CL	TWO-WAY AMBER MARKERS, 80' SPACING
		723	TOTAL		
78300200	RAISED REFLECTIVE PAVEMENT MARKER REMOVAL				
		653	0+00 TO 578+00	CL	
		653	TOTAL		
XX001135	PAVEMENT PATCHING, SPECIAL				
		37.6	481+04 LT		
		37.6	481+04 RT		
		75.2	TOTAL		
X0322121	SHEET WATERPROOFING MEMBRANE SYSTEM				
		161.0	416+70 TO 417+16		STRUCTURE NO. 089-0053
		161.0	TOTAL		
Z0005400	BREAKER-RUN CRUSHED STONE				
		269	486+64	45' LT TO 45' RT	
		269	TOTAL		
Z0013798	CONSTRUCTION LAYOUT				
		1	479+64 TO 489+32	VAR	
		1	TOTAL		
Z0017100	DOWEL BARS				
		40	481+04	LT & RT	INSTALL PER 442101-07 BUT START 24" FROM EOP
		40	486+64	LT & RT	INSTALL PER 442101-07 BUT START 24" FROM EOP
		80	TOTAL		
Z0025500	FURNISHING AND INSTALLING PROPERTY MARKERS				
		2	486+00 TO 487+00		TO BE USED AS DIRECTED BY THE ENGINEER
		2	TOTAL		
Z0028415	GEOTECHNICAL REINFORCEMENT				
		494.0	0+00 TO 578+00		TO BE USED AS DIRECTED BY THE ENGINEER
		494.0	TOTAL		

FILE NAME =	USER NAME = dssdd	DESIGNED -	REVISED -	STATE OF ILLINOIS DEPARTMENT OF TRANSPORTATION	IL 73	F.A.P. RTE.	SECTION	COUNTY	TOTAL SHEETS	SHEET NO.
ca:\pwork\PWIDOT\DOSSDD\dms33571\02977\cvr.dgn	DRAWN -	REVISED -	654			*	STEPHENSON	89	34	
PLOT SCALE = 50.0000' / IN.	CHECKED -	REVISED -	CONTRACT NO. 64C91							
PLOT DATE = Wed Sep 24 07:43:53 2008	DATE -	REVISED -	SCALE:			SHEET NO.	OF SHEETS	STA.	TO STA.	FED. ROAD DIST. NO.

SCHEDULE OF QUANTITIES

Z0028700 GRANULAR SUBGRADE REPLACEMENT

CU YD	LOCATION	OFFSET	REMARKS
82	0+00 TO 578+00		TO BE USED AS DIRECTED BY THE ENGINEER
82	TOTAL		

Z0040315 PILOT CAR

DAYS	LOCATION	OFFSET	REMARKS
14.0	0+00 TO 578+00		
14.0	TOTAL		

Z0055100 RUMBLE RESURFACING

SQ YD	LOCATION	OFFSET	REMARKS
30.6	567+12 TO 567+37	RT	25' X 11'
30.6	574+06 TO 574+31	RT	25' X 11'
30.6	576+06 TO 576+31	RT	25' X 11'
91.8	TOTAL		

Z0075300 TIE BARS

EACH	LOCATION	OFFSET	REMARKS
12	481+04	CL	
20	486+64	CL	
32	TOTAL		

SAG CORRECTION

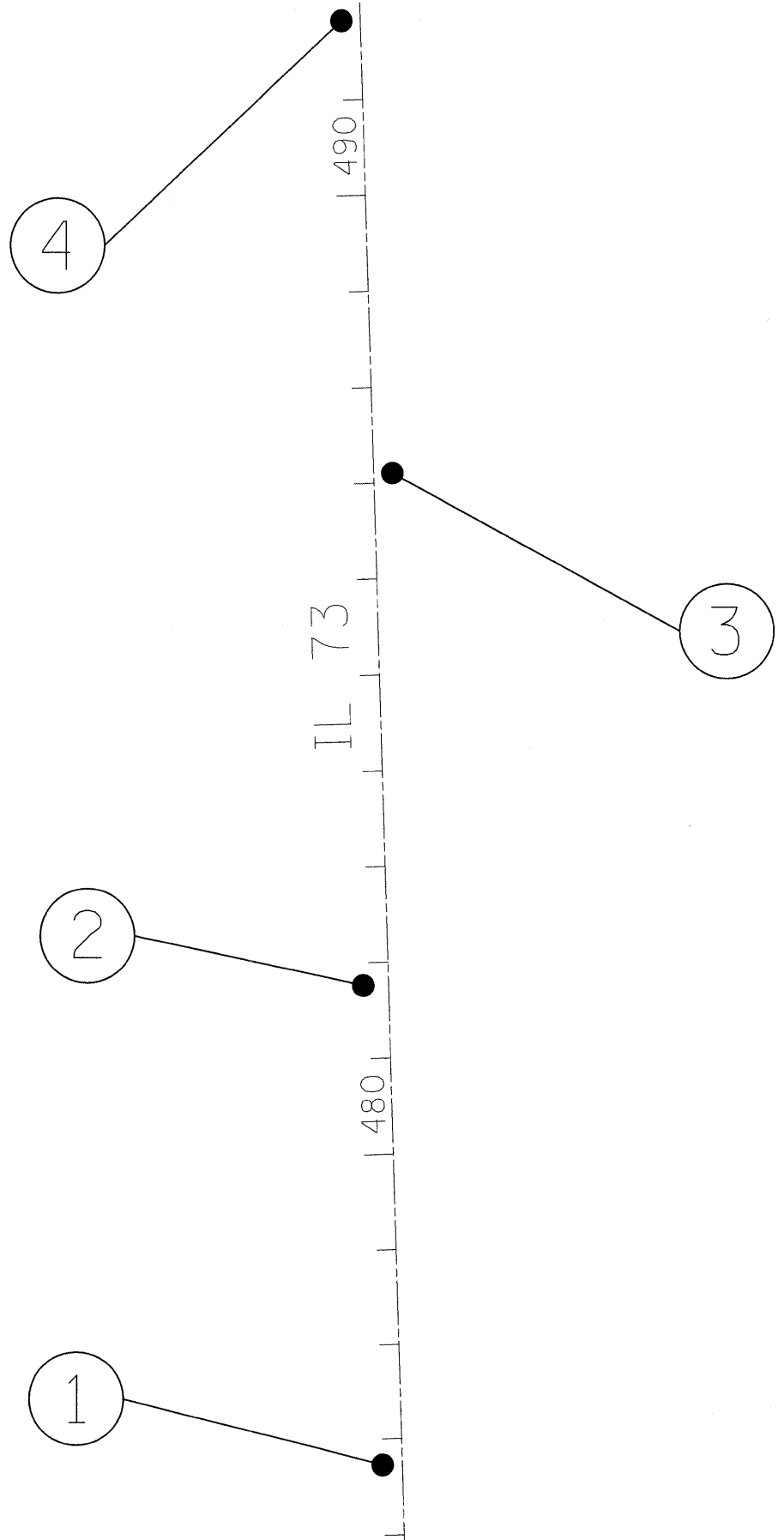
Temporary Bench Mark 100 Survey Marker on NW side of parpet wall

STATION	Existing CL Elevation	w/ overla Proposed PGL	Thickness of Overlay (in)	Thickness of Level binder (in)	Additional Level Bind Needed (In)	Additional Level Bind Needed (tons)
304+85	97.27	97.46	2.25	1.00	0.00	N/A
304+90	97.26	97.45	2.31	1.06	0.06	0.0
304+95	97.24	97.45	2.49	1.24	0.24	0.1
305+00	97.22	97.44	2.66	1.41	0.41	0.3
305+05	97.19	97.44	2.96	1.71	0.71	0.5
305+10	97.15	97.43	3.38	2.13	1.13	0.7
305+15	97.12	97.43	3.68	2.43	1.43	1.0
305+20	97.09	97.42	3.98	2.73	1.73	1.3
305+25	97.06	97.42	4.27	3.02	2.02	1.5
305+30	97.03	97.41	4.57	3.32	2.32	1.8
305+35	97.01	97.41	4.75	3.50	2.50	2.0
305+40	97.00	97.40	4.81	3.56	2.56	2.0
305+45	96.97	97.40	5.11	3.86	2.86	2.2
305+50	96.94	97.39	5.41	4.16	3.16	2.4
305+55	96.91	97.39	5.70	4.45	3.45	2.7
305+60	96.90	97.38	5.76	4.51	3.51	2.8
305+65	96.89	97.37	5.82	4.57	3.57	2.9
305+70	96.90	97.37	5.64	4.39	3.39	2.8
305+75	96.91	97.36	5.46	4.21	3.21	2.7
305+80	96.93	97.36	5.15	3.90	2.90	2.5
305+85	96.96	97.35	4.73	3.48	2.48	2.2
305+90	96.98	97.35	4.43	3.18	2.18	1.9
305+95	97.01	97.34	4.01	2.76	1.76	1.6
306+00	97.07	97.34	3.23	1.98	0.98	1.1
306+05	97.12	97.33	2.56	1.31	0.31	0.5
306+11	97.16	97.33	2.02	0.00	0.00	0.2
307+45	97.16	97.33	2.04	0.00	0.00	0.0
307+50	97.17	97.34	2.02	0.00	0.00	0.0
307+55	97.15	97.35	2.36	1.11	0.11	0.0
307+60	97.12	97.36	2.83	1.58	0.58	0.3
307+65	97.11	97.36	3.05	1.80	0.80	0.6
307+70	97.11	97.37	3.15	1.90	0.90	0.7
307+75	97.08	97.38	3.61	2.36	1.36	0.9
307+80	97.08	97.39	3.71	2.46	1.46	1.1
307+85	97.09	97.40	3.70	2.45	1.45	1.2
307+90	97.1	97.41	3.68	2.43	1.43	1.2
307+95	97.12	97.42	3.54	2.29	1.29	1.1
308+00	97.12	97.42	3.64	2.39	1.39	1.1
308+05	97.14	97.43	3.50	2.25	1.25	1.1
308+10	97.17	97.44	3.25	2.00	1.00	0.9
308+15	97.19	97.45	3.11	1.86	0.86	0.7
308+20	97.21	97.46	2.97	1.72	0.72	0.6
308+25	97.23	97.47	2.83	1.58	0.58	0.5
308+30	97.25	97.47	2.69	1.44	0.44	0.4
308+35	97.27	97.48	2.56	1.31	0.31	0.3
308+40	97.29	97.49	2.42	1.17	0.17	0.2
308+45	97.31	97.50	2.28	1.03	0.03	0.1
TOTAL						52.6

Bridge

FILE NAME =	USER NAME = dosadd	DESIGNED -	REVISED -	STATE OF ILLINOIS DEPARTMENT OF TRANSPORTATION	IL 73	F.A.P. RTE.	SECTION	COUNTY	TOTAL SHEETS	SHEET NO.
ct:\pwwork\PWIDOT\DOSSDD\dms33571\j02997.cvr.dgn	DRAWN -	REVISED -	654			*	STEPHENSON	89	35	
PLOT SCALE = 50.0000' / IN.	CHECKED -	REVISED -	CONTRACT NO. 64C91							
PLOT DATE = Wed Sep 24 07:44:23 2008	DATE -	REVISED -	SCALE:			SHEET NO. OF SHEETS STA. TO STA.	FED. ROAD DIST. NO.	ILLINOIS FED. AID PROJECT		

HORIZONTAL & VERTICAL CONTROL SHEETS



FILE NAME = <small>ct:\pw_work\PWIDOT\DOSSOD\dms33571\d02967hvc.dgn</small>	USER NAME = dosedd	DESIGNED -	REVISED -	STATE OF ILLINOIS DEPARTMENT OF TRANSPORTATION	IL 73	F.A.P. RTE. 654	SECTION (107, 108, 109)RS-4	COUNTY STEPHENSON	TOTAL SHEETS 89	SHEET NO. 37
PLOT SCALE = 50.0000' / IN.	PLOT DATE = Wed Sep 24 08:17:38 2008	DRAWN -	CHECKED -	REVISED -	REVISED -	SCALE:	SHEET NO. OF SHEETS	STA. TO STA.	FED. ROAD DIST. NO. 2 [ILLINOIS] FED. AID PROJECT	
CONTRACT NO. 64C91										

Chain STE73 contains:
 1119 CUR 270 CUR 210 CUR 220 CUR 230 CUR 240 CUR 250
 CUR 260 CUR 280 CUR 290 CUR 300 CUR 310 CUR 320 10 1202

HORIZONTAL & VERTICAL CONTROL SHEETS

Beginning chain STE73 description
 =====

Point 1119 N 2,014,818.4127 E 2,389,194.4308 Sta 0+00.00

Course from 1119 to PC 270 359° 02' 14.40" Dist 7,482.9612'

Curve Data

Curve 270
 P.I. Station 80+71.13 N 2,022,888.4052 E 2,389,058.8284
 Delta = 0° 28' 52.65" (LT)
 Degree = 0° 02' 27.29"
 Tangent = 588.1705'
 Length = 1,176.3341'
 Radius = 140,037.5039'
 External = 1.2352'
 Long Chord = 1,176.3307'
 Mid. Ord. = 1.2352'
 P.C. Station 74+82.96 N 2,022,300.3177 E 2,389,068.7102
 P.T. Station 86+59.30 N 2,023,476.3889 E 2,389,044.0070
 C.C. N 2,019,947.5592 E 2,249,050.9720

Course from PT 270 to PC 210 358° 33' 21.75" Dist 8,919.2009'

Curve Data

Curve 210
 P.I. Station 180+63.10 N 2,032,877.2042 E 2,388,807.0390
 Delta = 1° 21' 58.19" (RT)
 Degree = 0° 08' 27.47"
 Tangent = 484.6006'
 Length = 969.1552'
 Radius = 40,645.5577'
 External = 2.8887'
 Long Chord = 969.1323'
 Mid. Ord. = 2.8885'
 P.C. Station 175+78.50 N 2,032,392.7575 E 2,388,819.2505
 P.T. Station 185+47.65 N 2,033,361.8043 E 2,388,806.3810
 C.C. N 2,033,416.9921 E 2,429,451.9012

Course from PT 210 to PC 220 359° 55' 19.94" Dist 1,913.9110'

Curve Data

Curve 220
 P.I. Station 208+15.60 N 2,035,629.7551 E 2,388,803.3016
 Delta = 0° 45' 05.23" (LT)
 Degree = 0° 06' 22.06"
 Tangent = 354.0419'
 Length = 708.0736'
 Radius = 53,988.2055'
 External = 1.1608'
 Long Chord = 708.0685'
 Mid. Ord. = 1.1608'
 P.C. Station 204+61.56 N 2,035,275.7135 E 2,388,803.7823
 P.T. Station 211+69.64 N 2,035,983.7599 E 2,388,798.1777
 C.C. N 2,035,202.4094 E 2,334,815.6266

Course from PT 220 to PC 230 359° 10' 14.70" Dist 1,468.3167'

Curve Data

Curve 230
 P.I. Station 228+86.32 N 2,037,700.2615 E 2,388,773.3328
 Delta = 0° 23' 42.41" (LT)
 Degree = 0° 04' 46.36"
 Tangent = 248.3648'
 Length = 496.7276'
 Radius = 72,030.7770'
 External = 0.4282'
 Long Chord = 496.7266'
 Mid. Ord. = 0.4282'
 P.C. Station 226+37.95 N 2,037,451.9228 E 2,388,776.9273
 P.T. Station 231+34.68 N 2,037,948.5696 E 2,388,768.0259
 C.C. N 2,036,409.4491 E 2,316,753.6944

Course from PT 230 to PC 240 358° 46' 32.29" Dist 517.6298'

Curve Data

Curve 240
 P.I. Station 241+52.31 N 2,038,965.9671 E 2,388,746.2816
 Delta = 0° 14' 25.46" (RT)
 Degree = 0° 01' 26.55"
 Tangent = 500.0000'
 Length = 999.9985'
 Radius = 238,328.5365'
 External = 0.5245'
 Long Chord = 999.9978'
 Mid. Ord. = 0.5245'
 P.C. Station 236+52.31 N 2,038,466.0812 E 2,388,756.9654
 P.T. Station 246+52.31 N 2,039,465.8933 E 2,388,737.6954
 C.C. N 2,043,558.5759 E 2,627,031.0886

Course from PT 240 to PC 250 359° 00' 57.76" Dist 1,792.5800'

Curve Data

Curve 250
 P.I. Station 265+54.85 N 2,041,368.1579 E 2,388,705.0241
 Delta = 6° 08' 57.22" (LT)
 Degree = 2° 47' 55.23"
 Tangent = 109.9652'
 Length = 219.7192'
 Radius = 2,047.2466'
 External = 2.9512'
 Long Chord = 219.6138'
 Mid. Ord. = 2.9469'
 P.C. Station 264+44.89 N 2,041,258.2090 E 2,388,706.9124
 P.T. Station 266+64.61 N 2,041,477.2720 E 2,388,691.3690
 C.C. N 2,041,223.0527 E 2,386,659.9677

Course from PT 250 to PC 260 352° 52' 00.54" Dist 84.0119'

Curve Data

Curve 260
 P.I. Station 268+28.66 N 2,041,640.0575 E 2,388,670.9972
 Delta = 6° 31' 34.86" (RT)
 Degree = 4° 04' 52.23"
 Tangent = 80.0433'
 Length = 159.9136'
 Radius = 1,403.9043'
 External = 2.2800'
 Long Chord = 159.8271'
 Mid. Ord. = 2.2763'
 P.C. Station 267+48.62 N 2,041,560.6337 E 2,388,680.9367
 P.T. Station 269+08.53 N 2,041,720.0964 E 2,388,670.1495
 C.C. N 2,041,734.9652 E 2,390,073.9751

Course from PT 260 to PC 280 359° 23' 35.40" Dist 723.4470'

Curve Data

Curve 280
 P.I. Station 279+07.59 N 2,042,719.0937 E 2,388,659.5685
 Delta = 0° 11' 11.64" (LT)
 Degree = 0° 02' 01.85"
 Tangent = 275.6064'
 Length = 551.2122'
 Radius = 169,280,2678'
 External = 0.2244'
 Long Chord = 551.2120'
 Mid. Ord. = 0.2244'
 P.C. Station 276+31.98 N 2,042,443.5028 E 2,388,662.4874
 P.T. Station 281+83.19 N 2,042,994.6737 E 2,388,655.7522
 C.C. N 2,040,650.6487 E 2,219,391.7140

Course from PT 280 to PC 290 359° 12' 23.76" Dist 3,626.2593'

Curve Data

Curve 290
 P.I. Station 323+71.86 N 2,047,182.9366 E 2,388,597.7517
 Delta = 0° 46' 28.60" (LT)
 Degree = 0° 04' 07.92"
 Tangent = 562.4053'
 Length = 1,124.7934'
 Radius = 83,197.8260'
 External = 1.9009'
 Long Chord = 1,124.7849'
 Mid. Ord. = 1.9008'
 P.C. Station 318+09.45 N 2,046,620.5852 E 2,388,605.5393
 P.T. Station 329+34.25 N 2,047,745.1313 E 2,388,582.3623
 C.C. N 2,045,468.5444 E 2,305,415.6899

Course from PT 290 to PC 300 358° 25' 55.16" Dist 2,963.9784'

Curve Data

Curve 300
 P.I. Station 363+14.48 N 2,051,124.1051 E 2,388,489.8670
 Delta = 0° 26' 48.46" (RT)
 Degree = 0° 03' 13.20"
 Tangent = 416.2612'
 Length = 832.5181'
 Radius = 106,760.2632'
 External = 0.8115'
 Long Chord = 832.5160'
 Mid. Ord. = 0.8115'
 P.C. Station 358+98.22 N 2,050,707.9999 E 2,388,501.2574
 P.T. Station 367+30.74 N 2,051,540.2866 E 2,388,481.7217
 C.C. N 2,053,629.3384 E 2,495,221.5439

Course from PT 300 to PC 310 358° 52' 43.62" Dist 7,597.7250'

Curve Data

Curve 310
 P.I. Station 450+94.46 N 2,059,902.4016 E 2,388,318.0631
 Delta = 0° 33' 14.42" (LT)
 Degree = 0° 02' 10.19"
 Tangent = 765.9913'
 Length = 1,531.9707'
 Radius = 158,437.7881'
 External = 1.8516'
 Long Chord = 1,531.9648'
 Mid. Ord. = 1.8516'
 P.C. Station 443+28.47 N 2,059,136.5569 E 2,388,333.0518
 P.T. Station 458+60.44 N 2,060,668.0655 E 2,388,295.6701
 C.C. N 2,056,036.2953 E 2,229,925.5991

Course from PT 310 to PC 320 358° 19' 29.20" Dist 6,117.7349'

Curve Data

Curve 320
 P.I. Station 525+85.97 N 2,067,390.7217 E 2,388,099.0559
 Delta = 0° 51' 02.91" (RT)
 Degree = 0° 04' 11.97"
 Tangent = 607.7958'
 Length = 1,215.5692'
 Radius = 81,859.8896'
 External = 2.2564'
 Long Chord = 1,215.5580'
 Mid. Ord. = 2.2563'
 P.C. Station 519+78.17 N 2,066,783.1857 E 2,388,116.8242
 P.T. Station 531+93.74 N 2,067,998.4545 E 2,388,090.3108
 C.C. N 2,069,176.2777 E 2,469,941.7266

Course from PT 320 to 10 359° 10' 32.10" Dist 6,145.5439'

Point 10 N 2,074,143.3623 E 2,388,001.8870 Sta 593+39.29

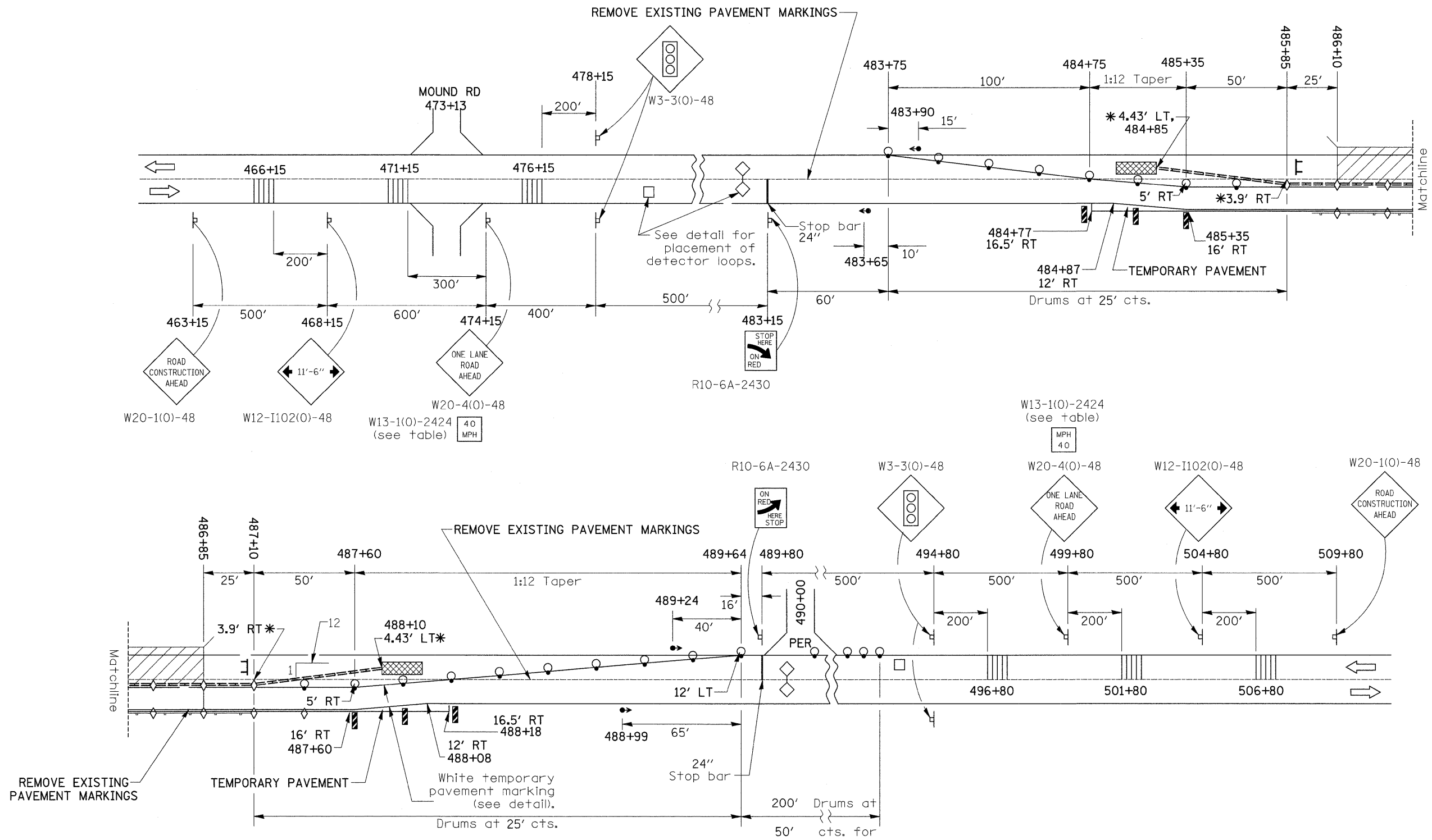
Course from 10 to 1202 359° 10' 32.14" Dist 4,456.9568'

Point 1202 N 2,078,599.8578 E 2,387,937.7598 Sta 637+96.24

Ending chain STE73 description
 =====

FILE NAME =	USER NAME = dossed	DESIGNED -	REVISED -	STATE OF ILLINOIS DEPARTMENT OF TRANSPORTATION	IL 73				F.A.P. RTE.	SECTION	COUNTY	TOTAL SHEETS	SHEET NO.
et:\pw\work\PWIDOT\DOSSDD\dms33571\j02987hvc.dgn		DRAWN -	REVISED -		654	(107, 108, 109)RS-4	STEPHENSON	89	38				
PLOT SCALE = 50.0000' / IN.		CHECKED -	REVISED -		SCALE: SHEET NO. OF SHEETS STA. TO STA.				CONTRACT NO. 64C91				
PLOT DATE = Wed Sep 24 08:18:18 2008		DATE -	REVISED -		FED. ROAD DIST. NO. 2 ILLINOIS FED. AID PROJECT								

STAGING PLANS — STAGE I



REMOVE EXISTING PAVEMENT MARKINGS

TEMPORARY PAVEMENT

White temporary pavement marking (see detail).

Drums at 25' cts.

SYMBOLS

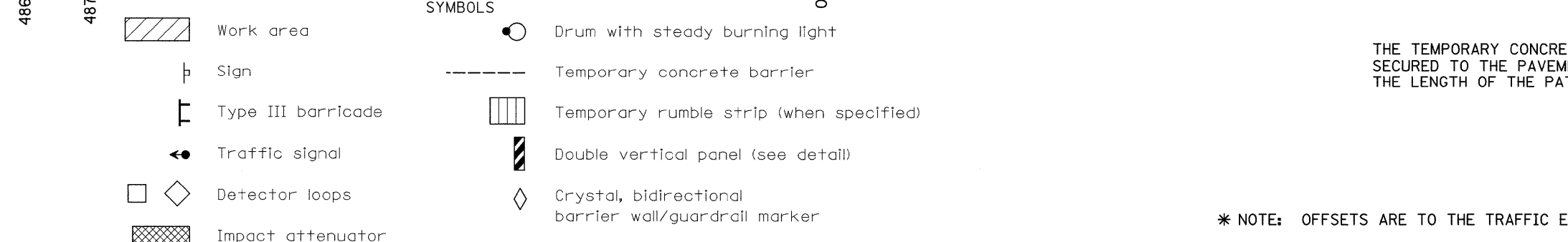
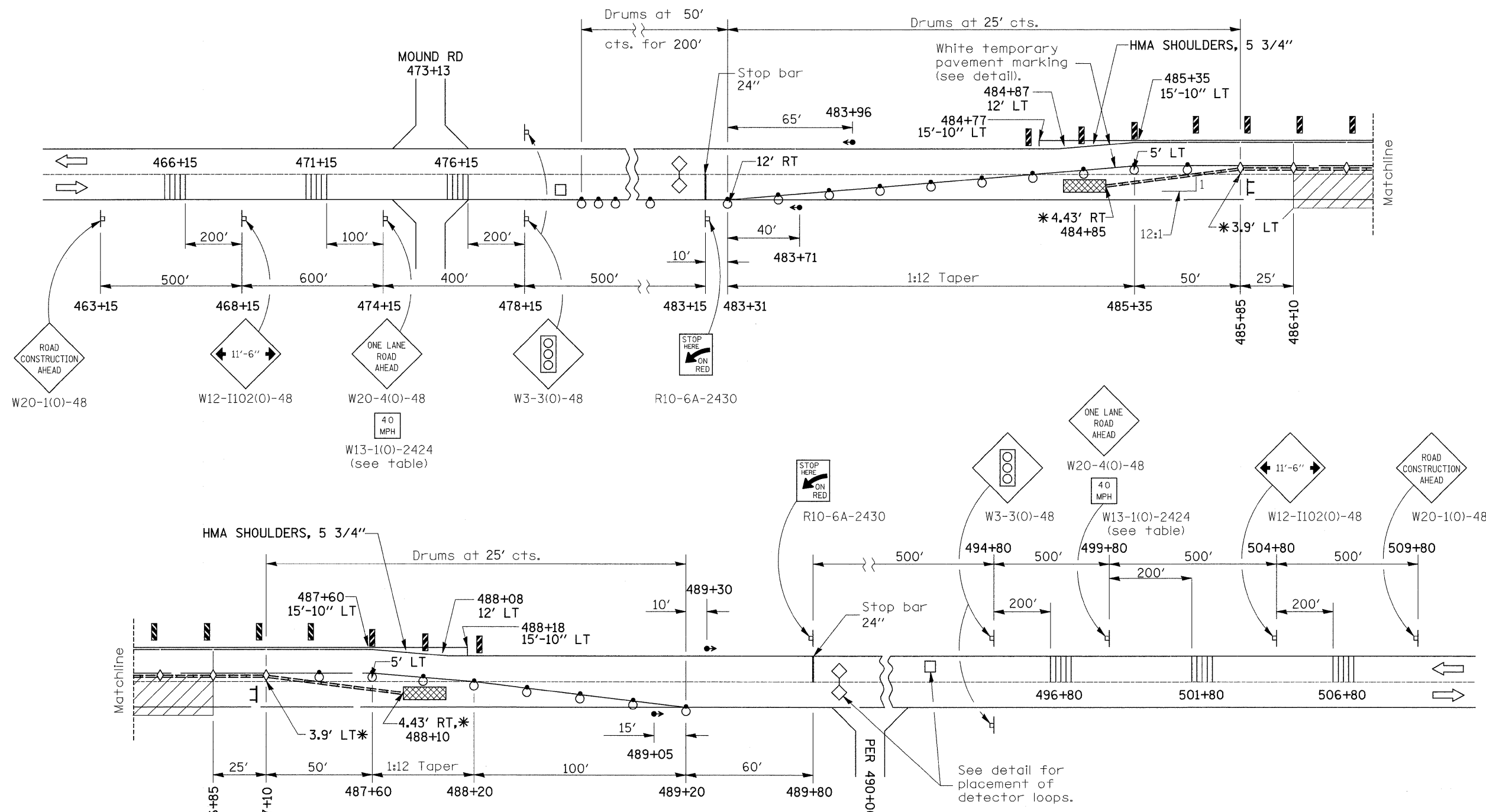
- Work area
- Sign
- Type III barricade
- Traffic signal
- Detector loops
- Impact attenuator
- Drum with steady burning light
- Temporary concrete barrier
- Temporary rumble strip (when specified)
- Double vertical panel (see detail)
- Crystal, bidirectional barrier wall/guardrail marker

* NOTE: OFFSETS ARE TO THE TRAFFIC EDGE OF THE BARRIER WALL.

THE TEMPORARY CONCRETE BARRIER WALL SHALL BE SECURED TO THE PAVEMENT WITH SIX PINS THROUGHOUT THE LENGTH OF THE PATCH.

FILE NAME =	USER NAME = dosadd	DESIGNED -	REVISED -	STATE OF ILLINOIS DEPARTMENT OF TRANSPORTATION	IL 73		F.A.P. RTE.	SECTION	COUNTY	TOTAL SHEETS	SHEET NO.			
ct:\pv_work\PW100T\DOSSDD\dms33571\d0297stg.dgn		DRAWN -	REVISED -		SCALE:	SHEET NO.	OF SHEETS	STA.	TO STA.	654	(107, 108, 109)RS-4	STEPHENSON	89	39
PLOT SCALE = 50.0000' / IN.		CHECKED -	REVISED -									CONTRACT NO. 64C91		
PLOT DATE = Wed Sep 24 08:20:19 2008		DATE -	REVISED -									FED. ROAD DIST. NO. 2 ILLINOIS FED. AID PROJECT		

STAGING PLANS — STAGE II



- SYMBOLS**
- Work area
 - Sign
 - Type III barricade
 - Traffic signal
 - Detector loops
 - Impact attenuator
 - Drum with steady burning light
 - Temporary concrete barrier
 - Temporary rumble strip (when specified)
 - Double vertical panel (see detail)
 - Crystal, bidirectional barrier wall/guardrail marker

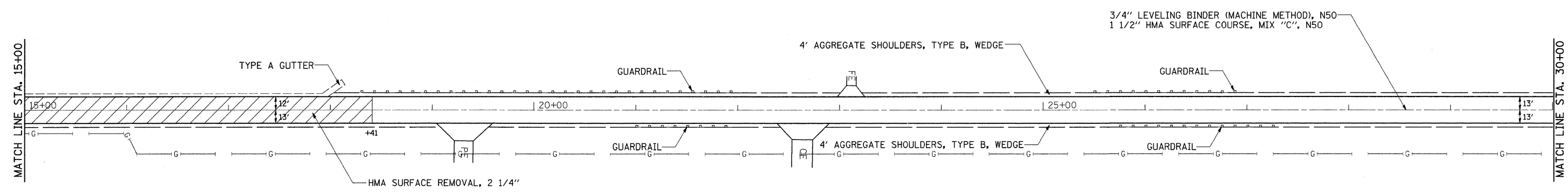
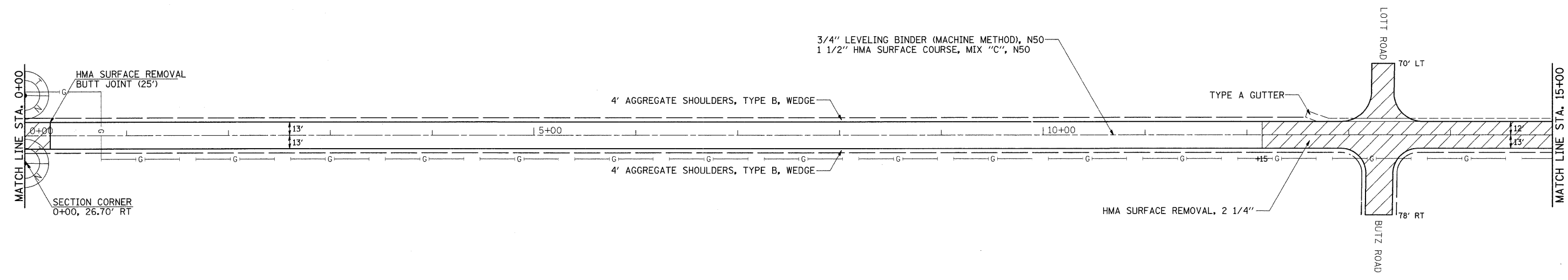
THE TEMPORARY CONCRETE BARRIER WALL SHALL BE SECURED TO THE PAVEMENT WITH SIX PINS THROUGHOUT THE LENGTH OF THE PATCH.

* NOTE: OFFSETS ARE TO THE TRAFFIC EDGE OF THE BARRIER WALL.

FILE NAME =	USER NAME = dssdd	DESIGNED -	REVISED -	STATE OF ILLINOIS DEPARTMENT OF TRANSPORTATION	IL 73	F.A.P. RTE.	SECTION	COUNTY	TOTAL SHEETS	SHEET NO.	
ct:\pw_work\PWIDOT\DOSSDD\dms33571\d02967.etg.dgn		DRAWN -	REVISED -			654	(107, 108, 109)RS-4	STEPHENSON	89	40	
PLOT SCALE = 50.0000' / IN.		CHECKED -	REVISED -			CONTRACT NO. 64C91					
PLOT DATE = Wed Sep 24 08:20:37 2008		DATE -	REVISED -			FED. ROAD DIST. NO. 2 ILLINOIS FED. AID PROJECT					



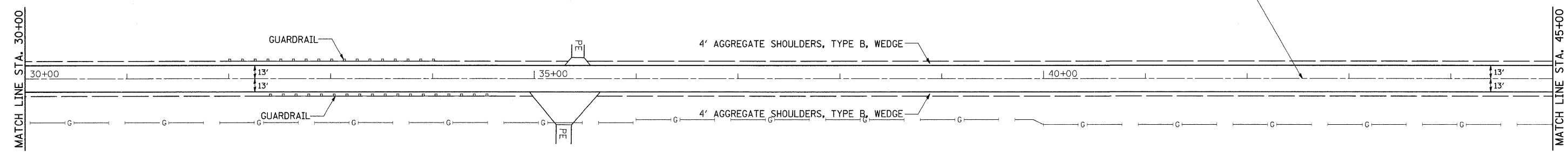
← CARROLL COUNTY
→ STEPHENSON COUNTY



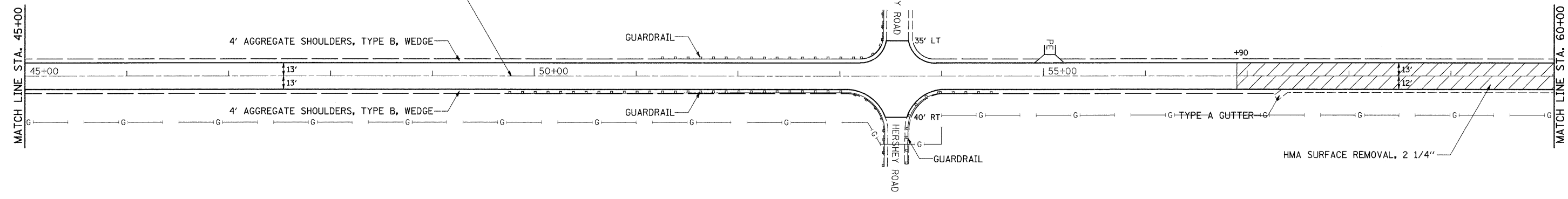
FILE NAME =	USER NAME = dssdd	DESIGNED -	REVISED -	STATE OF ILLINOIS DEPARTMENT OF TRANSPORTATION	IL 73	F.A.P. RTE.	SECTION	COUNTY	TOTAL SHEETS	SHEET NO.	
ca:\pwork\pwork\DOT\DOSSDD\dms33571\08297.pln.dgn		DRAWN -	REVISED -			654	(107, 108, 109)RS-4	STEPHENSON	89	41	
PLOT SCALE = 50.0000' / IN.		CHECKED -	REVISED -			CONTRACT NO. 64C91					
PLOT DATE = Wed Sep 24 08:35:00 2008		DATE -	REVISED -			FED. ROAD DIST. NO. 2 (ILLINOIS) FED. AID PROJECT					
				SCALE:	SHEET NO. OF SHEETS	STA. TO STA.					



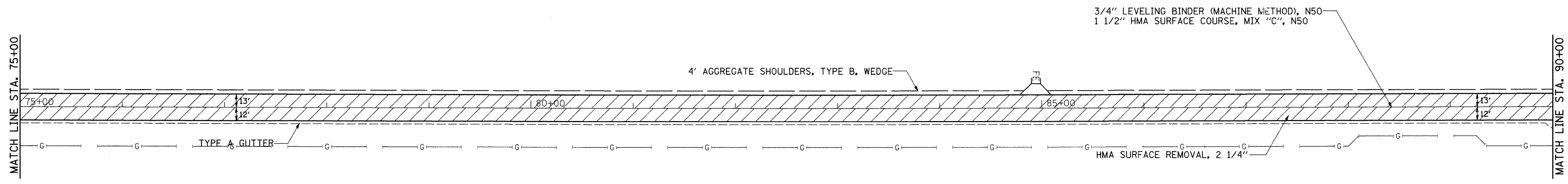
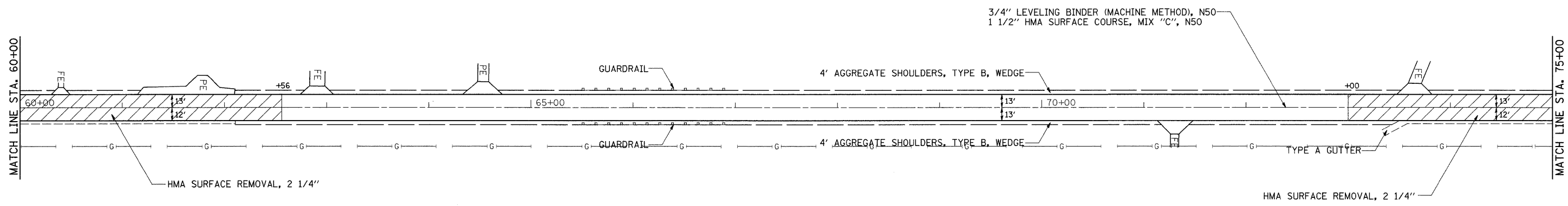
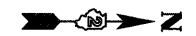
3/4" LEVELING BINDER (MACHINE METHOD), N50
 1 1/2" HMA SURFACE COURSE, MIX "C", N50



3/4" LEVELING BINDER (MACHINE METHOD), N50
 1 1/2" HMA SURFACE COURSE, MIX "C", N50



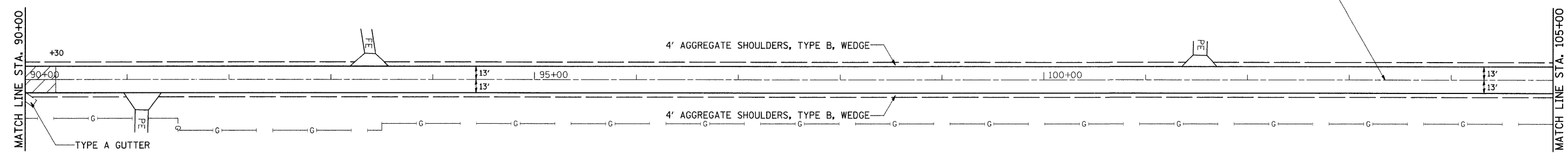
FILE NAME =	USER NAME = dossed	DESIGNED -	REVISED -	STATE OF ILLINOIS DEPARTMENT OF TRANSPORTATION	IL 73			F.A.P. RTE.	SECTION	COUNTY	TOTAL SHEETS	SHEET NO.
cs:\pwwork\pwwid01\DOSSDD\dms33571\d02967.plt.dgn	PLOT SCALE = 50.0000' / IN.	DRAWN -	REVISED -					654	(107, 108, 109)RS-4	STEPHENSON	89	42
PLOT DATE = Wed Sep 24 09:35:15 2008	DATE -	CHECKED -	REVISED -					CONTRACT NO. 64C91				
								FED. ROAD DIST. NO. 2 [ILLINOIS] FED. AID PROJECT				
				SCALE:	SHEET NO.	OF	SHEETS	STA.	TO STA.			



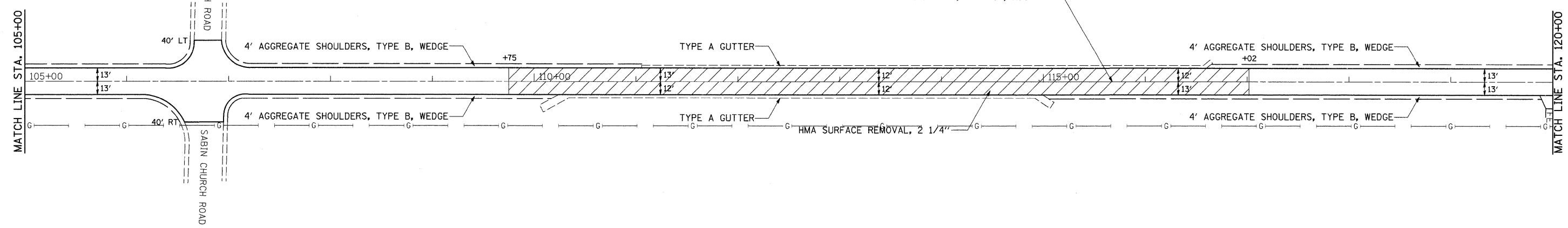
FILE NAME =	USER NAME = dosadd	DESIGNED -	REVISED -	STATE OF ILLINOIS DEPARTMENT OF TRANSPORTATION	IL 73				F.A.P. RTE.	SECTION	COUNTY	TOTAL SHEETS	SHEET NO.		
ct:\pw\work\PIWIDOT\DOSSDD\vdms33571\jd29	7p1n1.dgn	DRAWN -	REVISED -		SCALE:	SHEET NO.	OF	SHEETS	STA.	TO STA.	654	(107, 108, 109)RS-4	STEPHENSON	89	43
	PLOT SCALE = 50.0000' / IN.	CHECKED -	REVISED -												
	PLOT DATE = Tue Oct 07 09:24:24 2008	DATE -	REVISED -												
											CONTRACT NO. 64C91				
FED. ROAD DIST. NO. 2 [ILLINOIS] FED. AID PROJECT															



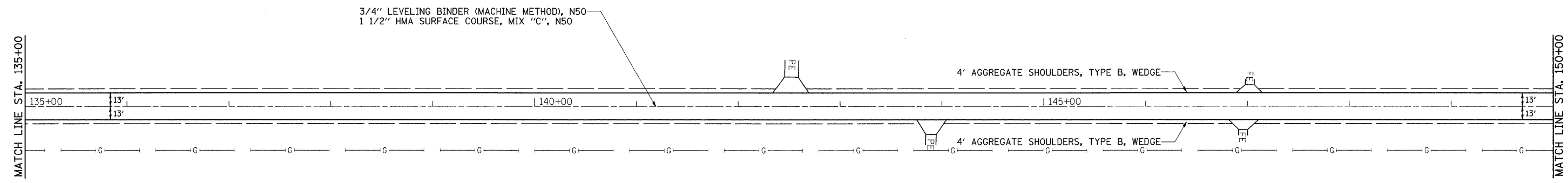
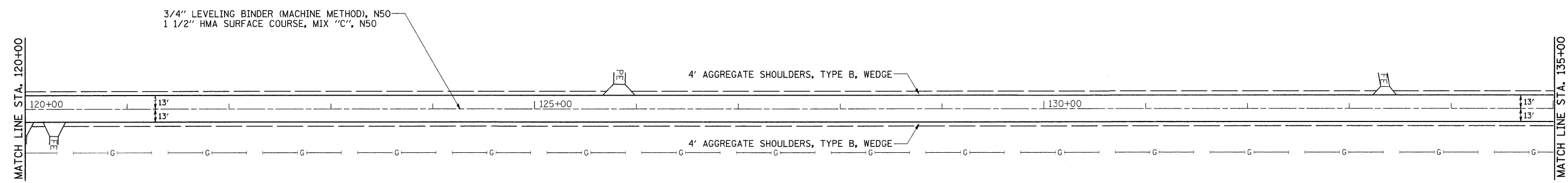
3/4" LEVELING BINDER (MACHINE METHOD), N50
 1 1/2" HMA SURFACE COURSE, MIX "C", N50



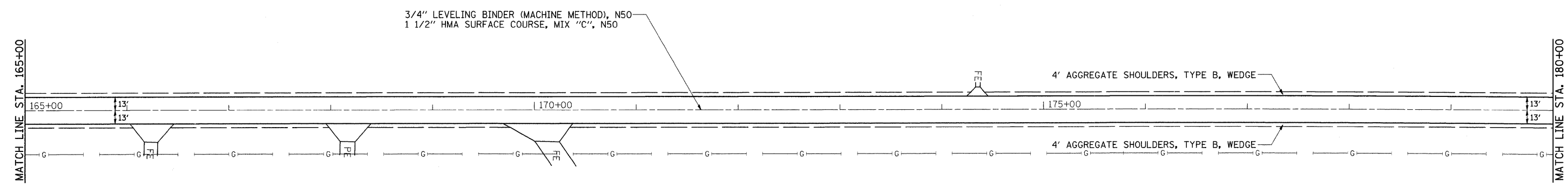
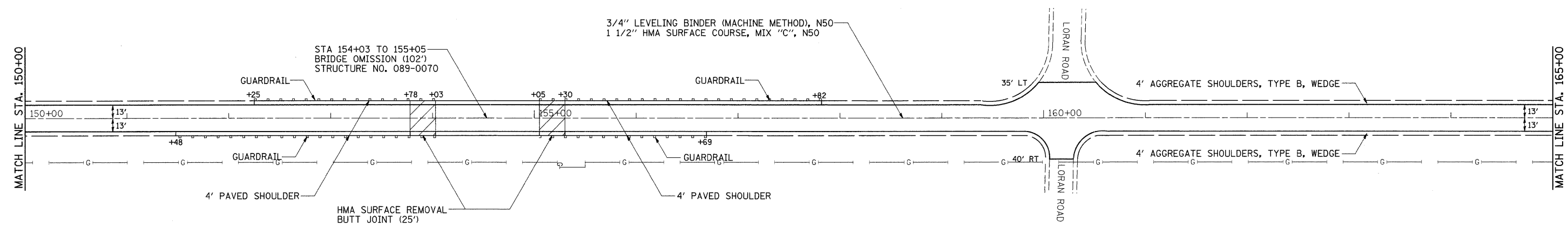
3/4" LEVELING BINDER (MACHINE METHOD), N50
 1 1/2" HMA SURFACE COURSE, MIX "C", N50



FILE NAME =	USER NAME = dossed	DESIGNED -	REVISED -	STATE OF ILLINOIS DEPARTMENT OF TRANSPORTATION	IL 73	F.A.P. RTE.	SECTION	COUNTY	TOTAL SHEETS	SHEET NO.	
ct\pwork\p\WIDOT\DOSSDD\dms33571\d82967.pln.dgn	PLOT SCALE = 50.0000' / IN.	DRAWN -	REVISED -			654	(107, 108, 109)RS-4	STEPHENSON	89	44	
PLOT DATE = Wed Sep 24 08:36:13 2008	DATE -	CHECKED -	REVISED -			CONTRACT NO. 64C91		FED. ROAD DIST. NO. 2 [ILLINOIS] FED. AID PROJECT			
		DATE -	REVISED -			SCALE:	SHEET NO. OF SHEETS	STA. TO STA.			

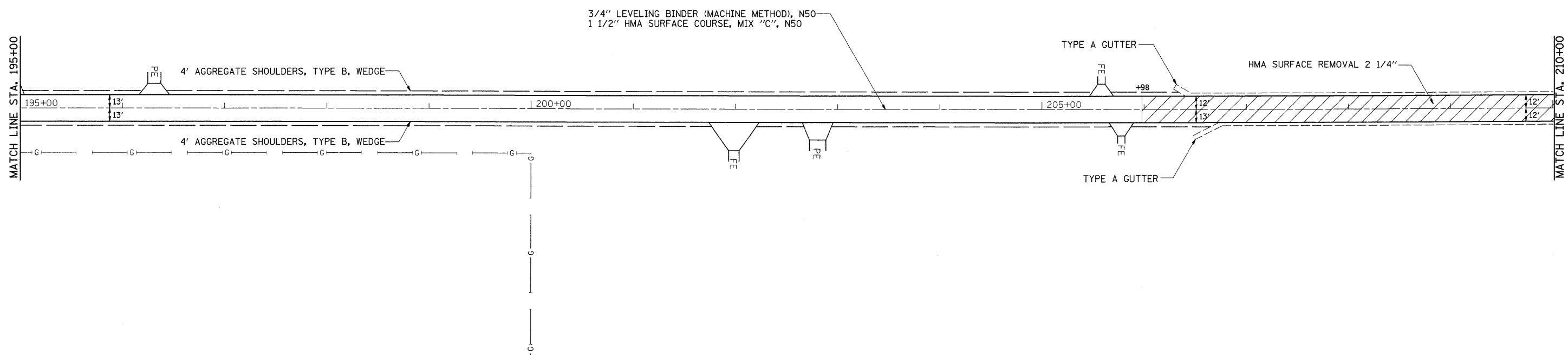
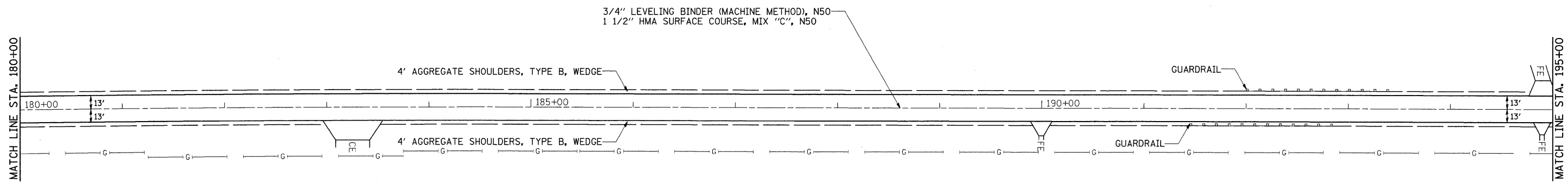


FILE NAME =	USER NAME = dmsdd	DESIGNED -	REVISED -	STATE OF ILLINOIS DEPARTMENT OF TRANSPORTATION	IL 73			F.A.P. RTE.	SECTION	COUNTY	TOTAL SHEETS	SHEET NO.			
ct:\pwwork\pwwid01\DOSSDD\dms33571\d02947p1n1.dgn		DRAWN -	REVISED -		SCALE:	SHEET NO.	OF	SHEETS	STA.	TO STA.	654	(107, 108, 109)RS-4	STEPHENSON	89	45
	PLOT SCALE = 50.0000' / IN.	CHECKED -	REVISED -												
	PLOT DATE = Wed Sep 24 08:37:17 2008	DATE -	REVISED -												
											CONTRACT NO. 64C91		FED. ROAD DIST. NO. 2 [ILLINOIS] FED. AID PROJECT		

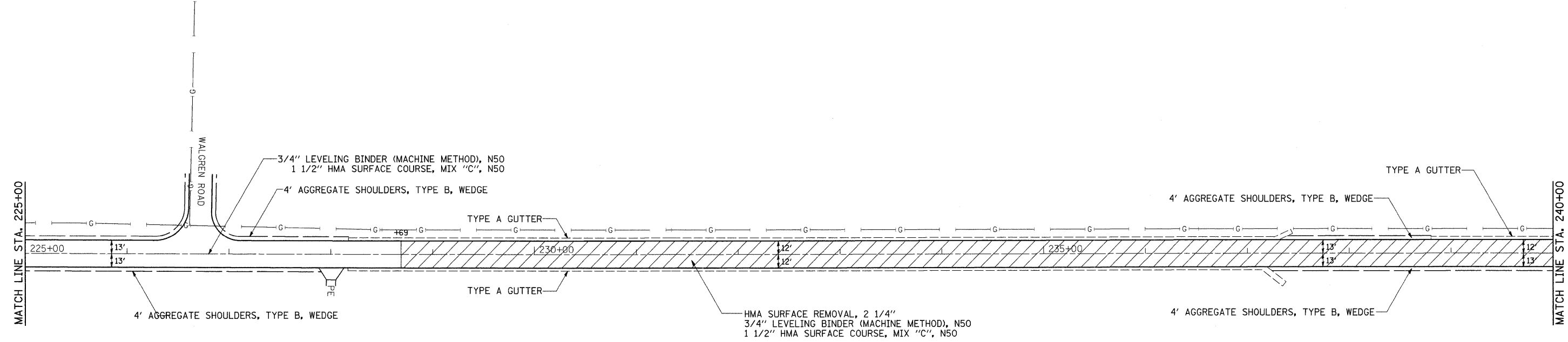
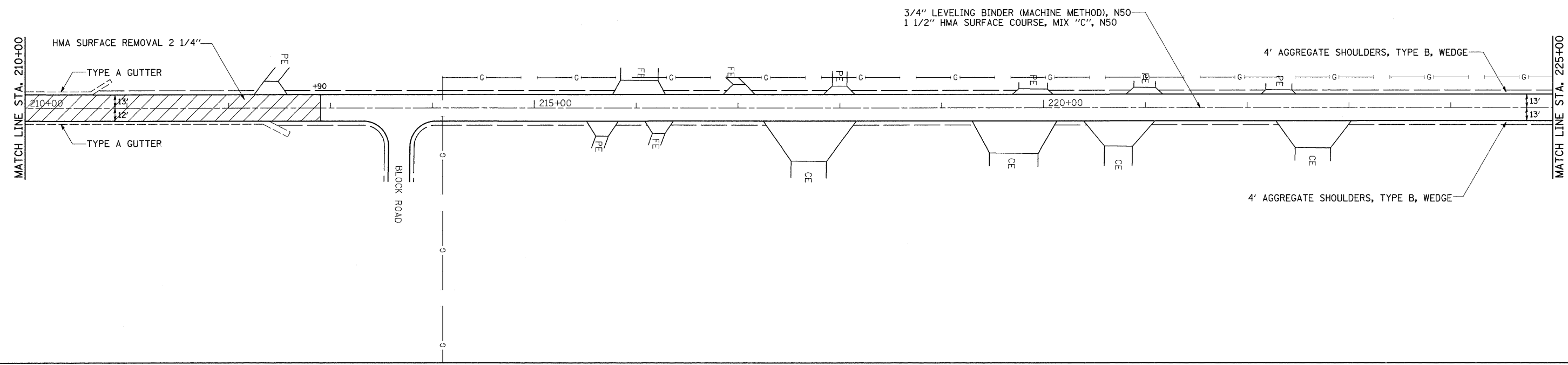


FILE NAME =	USER NAME = dssdd	DESIGNED -	REVISED -	STATE OF ILLINOIS DEPARTMENT OF TRANSPORTATION	IL 73			F.A.P. RTE.	SECTION	COUNTY	TOTAL SHEETS	SHEET NO.			
ct:\pwwork\pwwid\DOT\DOSSDD\dms33571\d02977.plt.dgn		DRAWN -	REVISED -		SCALE:	SHEET NO.	OF	SHEETS	STA.	TO STA.	654	(107, 108, 109)RS-4	STEPHENSON	89	46
		CHECKED -	REVISED -												
		DATE -	REVISED -												

FED. ROAD DIST. NO. 2 [ILLINOIS] FED. AID PROJECT

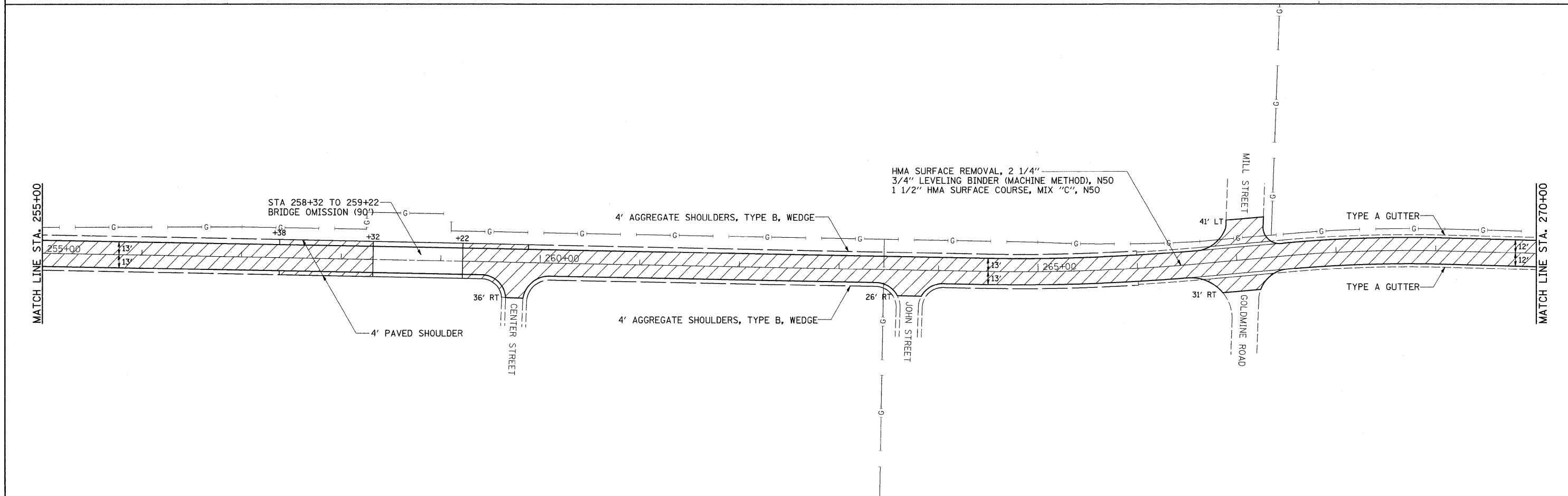
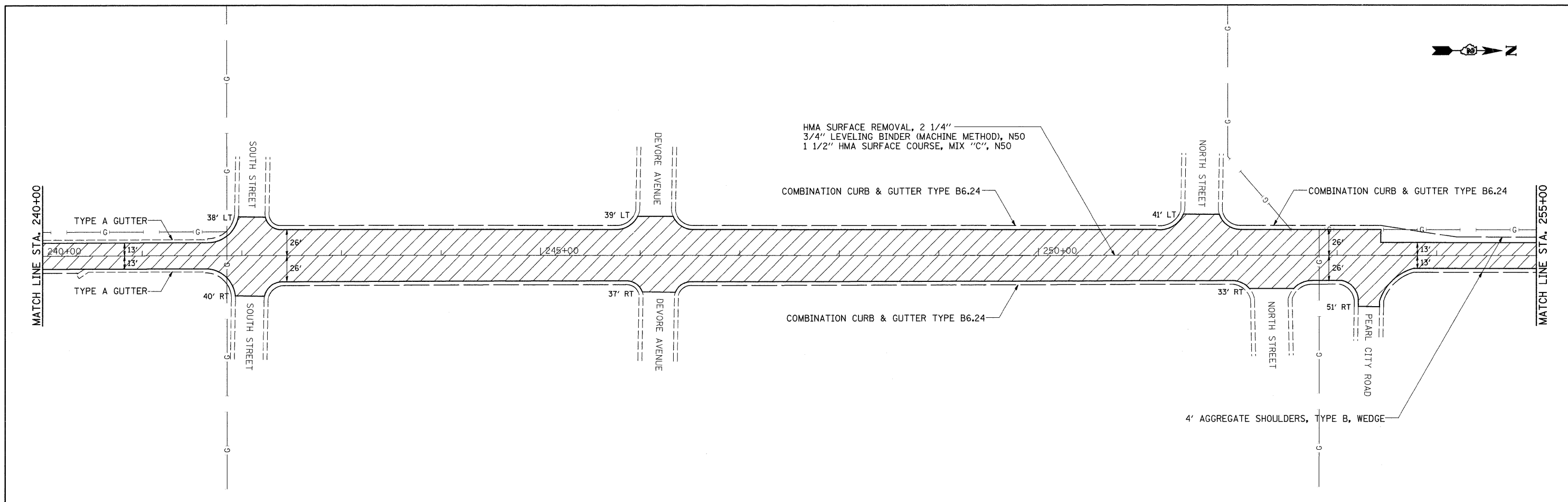


FILE NAME =	USER NAME = dssdd	DESIGNED -	REVISED -	STATE OF ILLINOIS DEPARTMENT OF TRANSPORTATION	IL 73				F.A.P. RTE.	SECTION	COUNTY	TOTAL SHEETS	SHEET NO.		
ca:\pw_work\PWIDOT\DOSSDD\dms33571\d029d7p1n1.dgn		DRAWN -	REVISED -		SCALE:	SHEET NO.	OF	SHEETS	STA.	TO STA.	654	(107, 108, 109)RS-4	STEPHENSON	89	47
		PLOT SCALE = 50,0000' / IN.	REVISED -												
		PLOT DATE = Wed Sep 24 08:37:59 2008	REVISED -												
											CONTRACT NO. 64C91			FED. ROAD DIST. NO. 2 ILLINOIS FED. AID PROJECT	

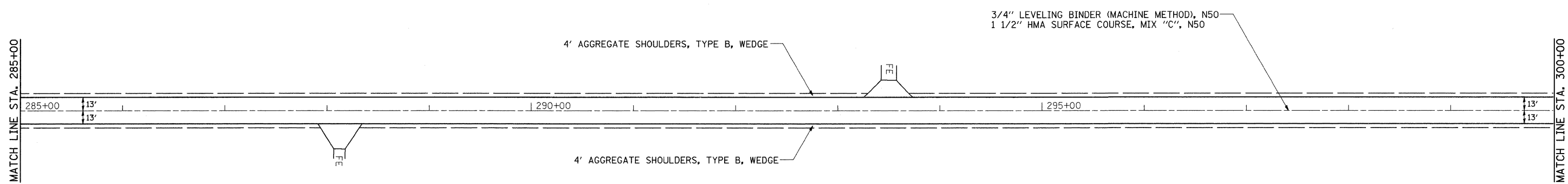
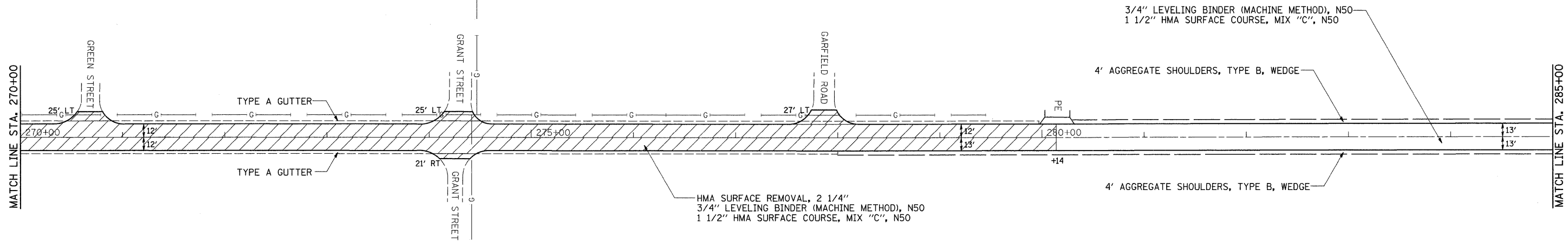


FILE NAME =	USER NAME = dossed	DESIGNED -	REVISED -	STATE OF ILLINOIS DEPARTMENT OF TRANSPORTATION	IL 73			F.A.P. RTE.	SECTION	COUNTY	TOTAL SHEETS	SHEET NO.			
ct:\pwwork\NPWIDOT\DOSSDD\dms33571\d029677.plt.dgn		DRAWN -	REVISED -		SCALE:	SHEET NO.	OF	SHEETS	STA.	TO STA.	654	(107, 108, 109)RS-4	STEPHENSON	89	48
		CHECKED -	REVISED -												
		DATE -	REVISED -												

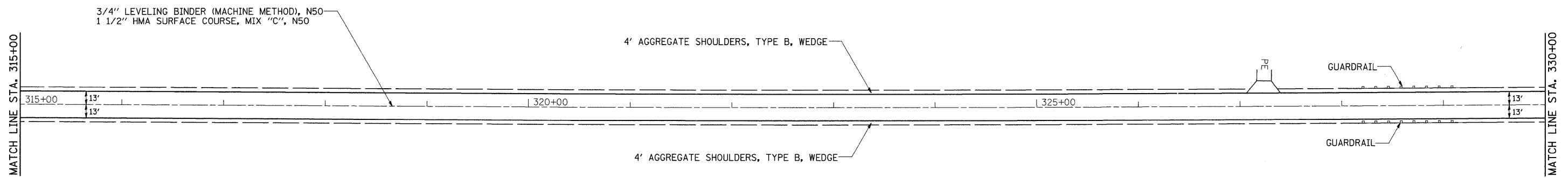
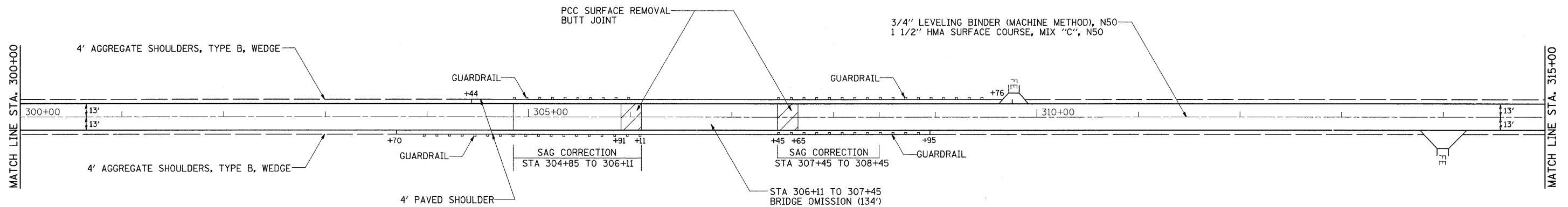
FED. ROAD DIST. NO. 2 | ILLINOIS | FED. AID PROJECT



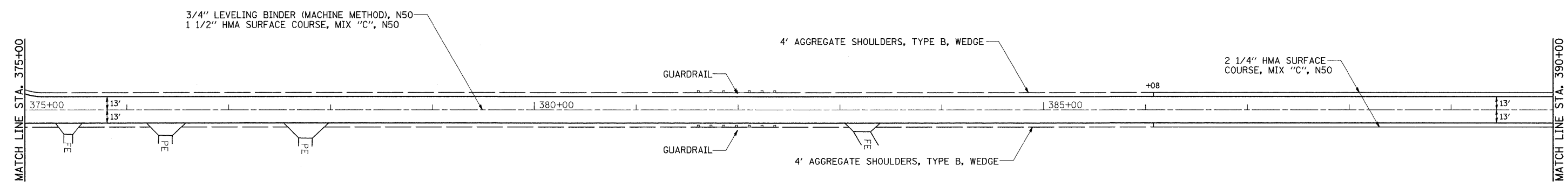
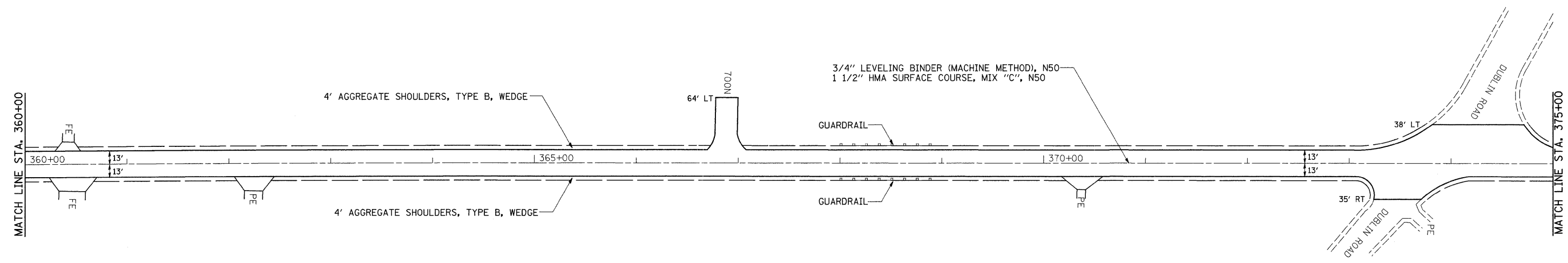
FILE NAME =	USER NAME = dossed	DESIGNED -	REVISED -	STATE OF ILLINOIS DEPARTMENT OF TRANSPORTATION	IL 73	F.A.P. RTE.	SECTION	COUNTY	TOTAL SHEETS	SHEET NO.	
as:\pwwork\pwwid\DOSSDD\dms33571\d02967.plt.dgn	PLOT SCALE = 50.0000' / IN.	DRAWN -	REVISED -			654	(107, 108, 109)RS-4	STEPHENSON	89	49	
	PLOT DATE = Wed Sep 24 08:38:40 2008	CHECKED -	REVISED -			CONTRACT NO. 64C91					
		DATE -	REVISED -			FED. ROAD DIST. NO. 2 [ILLINOIS] FED. AID PROJECT					
					SCALE:	SHEET NO.	OF	SHEETS	STA.	TO STA.	



FILE NAME =	USER NAME = dmsdd	DESIGNED -	REVISED -	STATE OF ILLINOIS DEPARTMENT OF TRANSPORTATION	IL 73	F.A.P. RTE.	SECTION	COUNTY	TOTAL SHEETS	SHEET NO.	
ci:\pwork\pwork\DOT\DOSSDD\dms33571\d02977.pln.dgn	PLOT SCALE = 50.0000' / IN.	DRAWN -	REVISED -			654	(107, 108, 109)RS-4	STEPHENSON	89	50	
PLOT DATE = Wed Sep 24 06:42:38 2008	DATE -	CHECKED -	REVISED -			CONTRACT NO. 64C91					
		DATE -	REVISED -			FED. ROAD DIST. NO. 2 ILLINOIS FED. AID PROJECT					
				SCALE:		SHEET NO. OF SHEETS		STA. TO STA.			



FILE NAME =	USER NAME = dssdd	DESIGNED -	REVISED -	STATE OF ILLINOIS DEPARTMENT OF TRANSPORTATION	IL 73	F.A.P. RTE.	SECTION	COUNTY	TOTAL SHEETS	SHEET NO.
ct:\pwork\pwork\pwork\pwork\dossdd\dms33571\d029677pnl.dgn		DRAWN -	REVISED -			654	(107, 108, 109)RS-4	STEPHENSON	89	51
PLOT SCALE = 50.0000' / IN.		CHECKED -	REVISED -			CONTRACT NO. 64C91				
PLOT DATE = Wed Sep 24 08:42:51 2008		DATE -	REVISED -			FED. ROAD DIST. NO. 2 ILLINOIS FED. AID PROJECT				
				SCALE:		SHEET NO. OF SHEETS		STA. TO STA.		

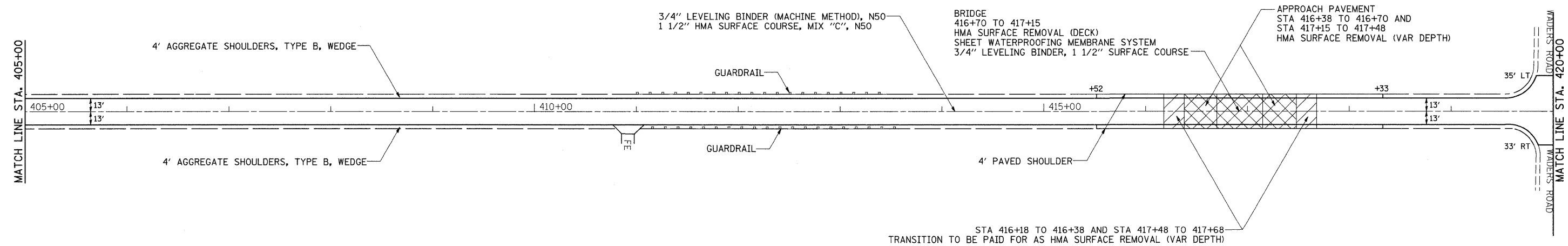
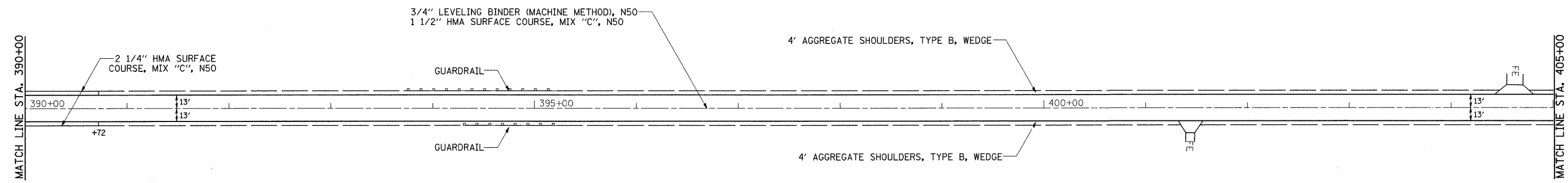


FILE NAME =	USER NAME = dssdd	DESIGNED -	REVISED -
ci:\pwork\PIWIDOT\DOSSDD\dms33571\j02977.plt.dgn		DRAWN -	REVISED -
		CHECKED -	REVISED -
		DATE -	REVISED -

**STATE OF ILLINOIS
DEPARTMENT OF TRANSPORTATION**

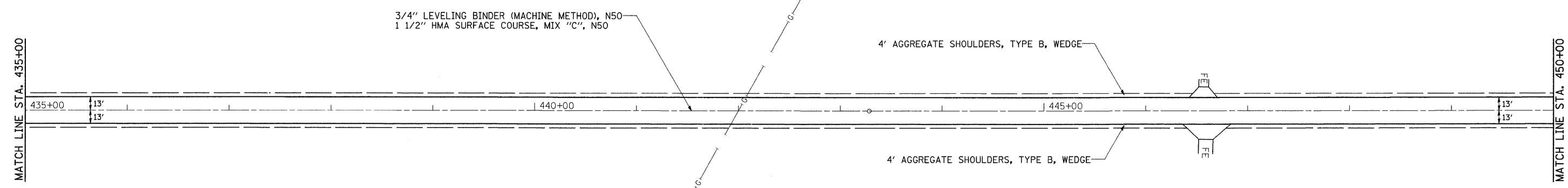
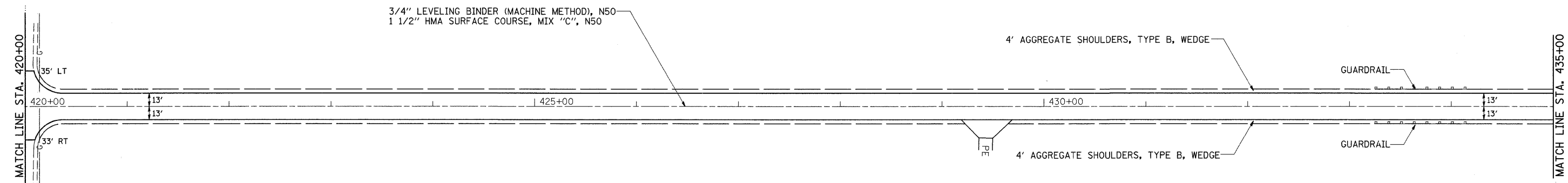
IL 73				
SCALE:	SHEET NO.	OF	SHEETS	STA. TO STA.

F.A.P. RTE.	SECTION	COUNTY	TOTAL SHEETS	SHEET NO.
654	(107, 108, 109)RS-4	STEPHENSON	89	53
FED. ROAD DIST. NO. 2 [ILLINOIS] FED. AID PROJECT			CONTRACT NO. 64C91	



STA 416+18 TO 416+38 AND STA 417+48 TO 417+68
TRANSITION TO BE PAID FOR AS HMA SURFACE REMOVAL (VAR DEPTH)

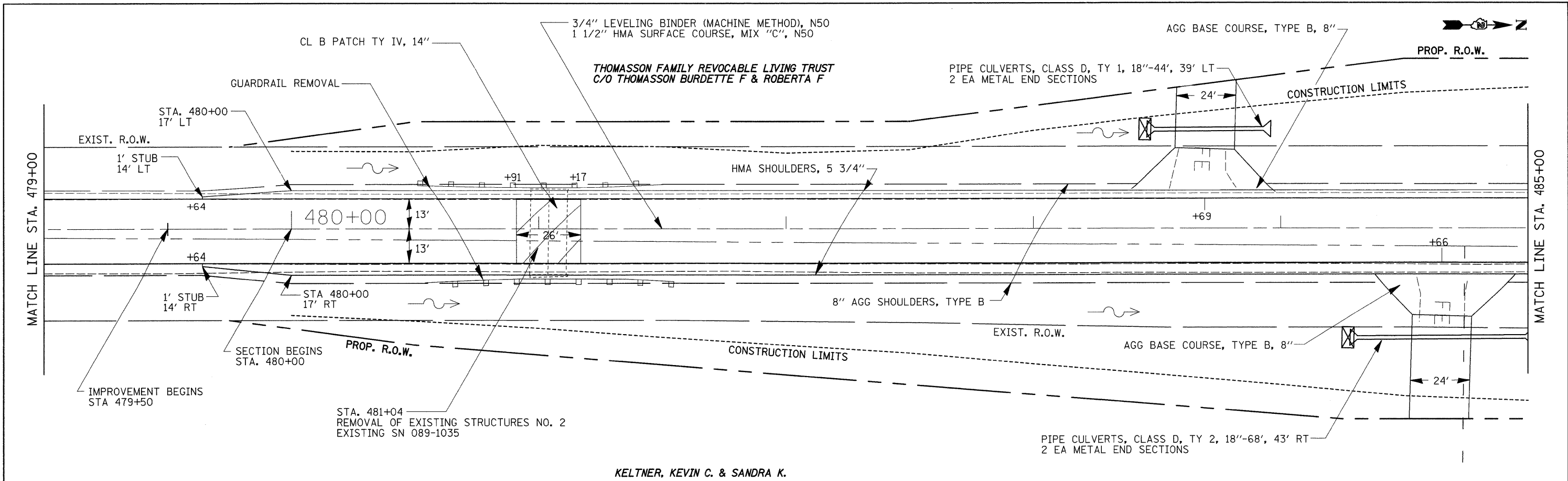
FILE NAME =	USER NAME = dosedd	DESIGNED -	REVISED -	STATE OF ILLINOIS DEPARTMENT OF TRANSPORTATION	IL 73			F.A.P. RTE.	SECTION	COUNTY	TOTAL SHEETS	SHEET NO.		
ca:\pw_work\PW1001\DOSSDD\dms33571\d02967.plt.dgn		DRAWN -	REVISED -		SCALE:	SHEET NO.	OF SHEETS	STA.	TO STA.	654	(107, 108, 109)RS-4	STEPHENSON	89	54
		CHECKED -	REVISED -											
		DATE -	REVISED -											
	PLOT SCALE = 50.0000' / IN.													
	PLOT DATE = Wed Sep 24 08:43:46 2008													
											CONTRACT NO. 64C91			
FED. ROAD DIST. NO. 2 ILLINOIS FED. AID PROJECT														



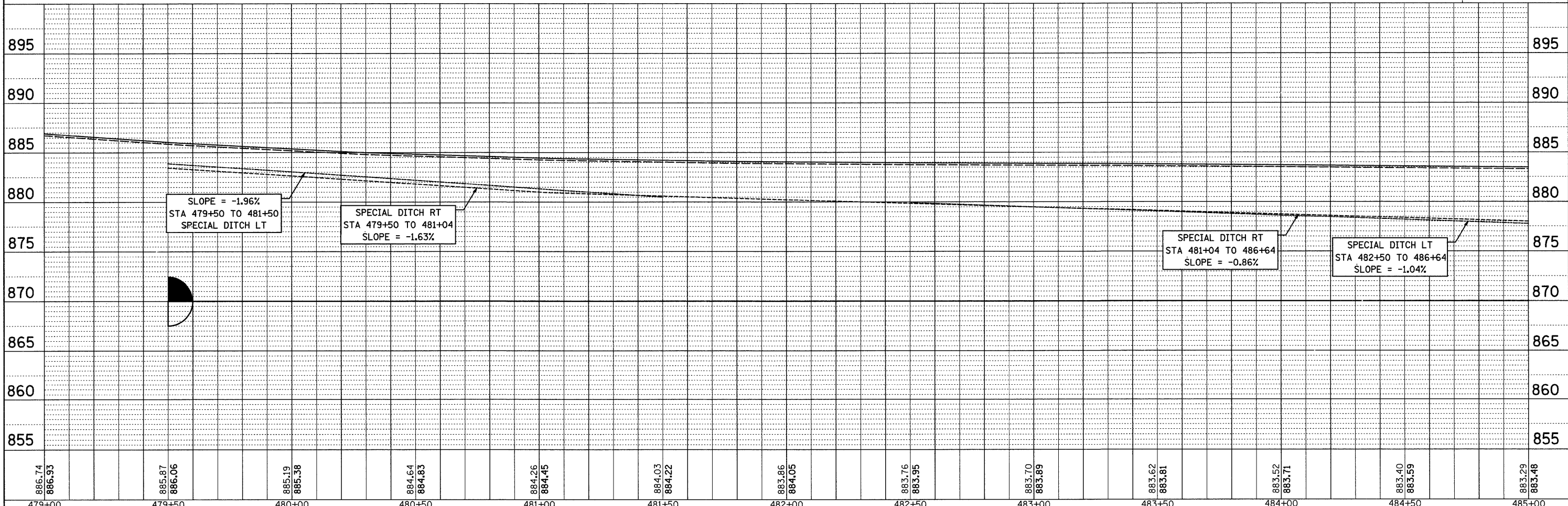
FILE NAME =	USER NAME = dssdd	DESIGNED -	REVISED -	STATE OF ILLINOIS DEPARTMENT OF TRANSPORTATION	IL 73				F.A.P. RTE.	SECTION	COUNTY	TOTAL SHEETS	SHEET NO.		
ca:\pwwork\pwwid01\DOSSDD\dms33571\vd029477.plt.dgn		DRAWN -	REVISED -		SCALE:	SHEET NO.	OF	SHEETS	STA.	TO STA.	654	(107, 108, 109)RS-4	STEPHENSON	89	55
		CHECKED -	REVISED -		CONTRACT NO. 64C91										
		DATE	REVISED -		FED. ROAD DIST. NO. 2 [ILLINOIS] FED. AID PROJECT										

PLAN	SURVEYED	BY	DATE
	PLOTTED		
	CHECKED		
	REVISIONS		
	NO. /		
	CADD FILE NAME		

PLOT FILE	SURVEYED	BY	DATE
	PLOTTED		
	CHECKED		
	REVISIONS		
	NO. /		
	STRUCTURE NOTATIONS (CRK)		



KELTNER, KEVIN C. & SANDRA K.



886.74 886.93	885.87 886.06	885.19 885.38	884.64 884.83	884.26 884.45	884.03 884.22	883.86 884.05	883.76 883.95	883.70 883.89	883.62 883.81	883.52 883.71	883.40 883.59	883.29 883.48
479+00	479+50	480+00	480+50	481+00	481+50	482+00	482+50	483+00	483+50	484+00	484+50	485+00

FILE NAME =
ca\pwwork\pwwidot\dossdd\dms33571\1\02907

USER NAME = dossdd
inl.dgn
PLOT SCALE = 20,0000' / IN.
PLOT DATE = Tue Oct 07 09:25:07 2008

DESIGNED -
DRAWN -
CHECKED -
DATE -

REVISED -
REVISED -
REVISED -
REVISED -

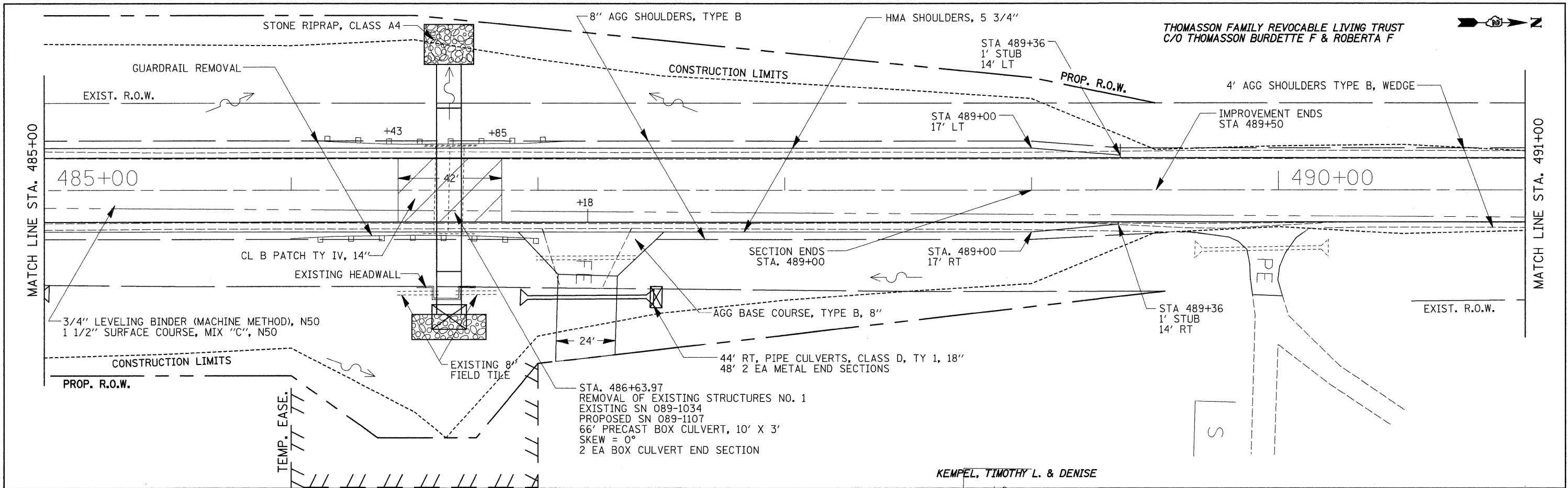
**STATE OF ILLINOIS
DEPARTMENT OF TRANSPORTATION**

SCALE: SHEET NO. OF SHEETS STA. TO STA.

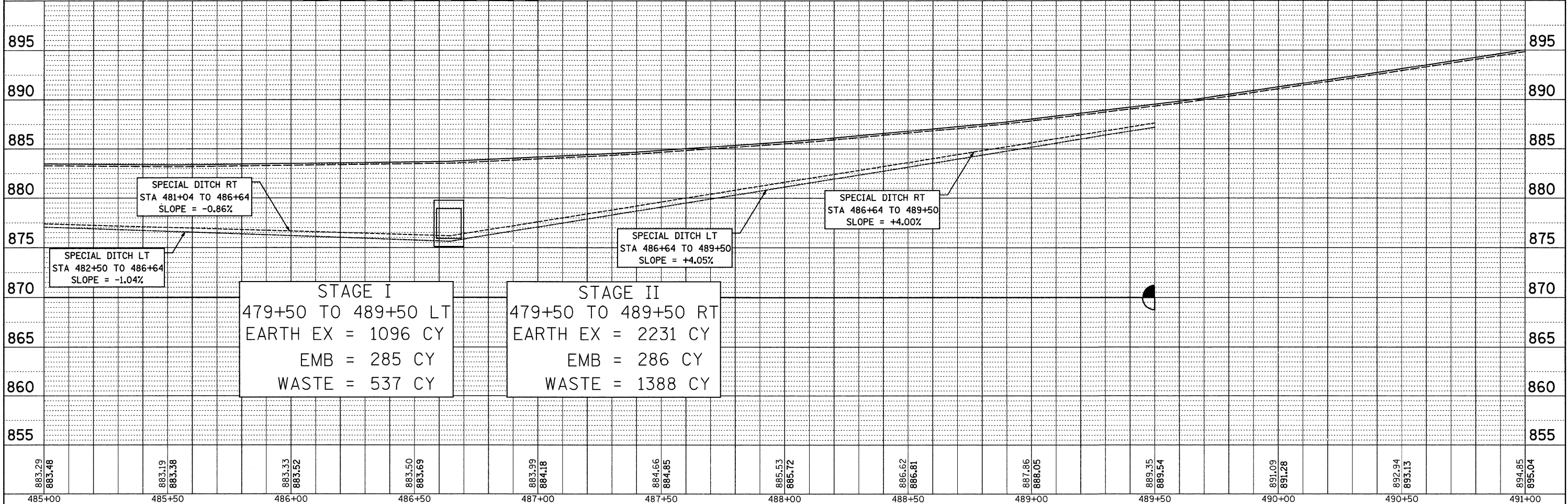
IL 73
F.A.P. RTE. 654 SECTION (107, 108, 109)RS-4 COUNTY STEPHENSON TOTAL SHEETS 89 SHEET NO. 57
FED. ROAD DIST. NO. 2 (ILLINOIS) FED. AID PROJECT CONTRACT NO. 64C91

DATE: _____ BY: _____
 SURVEYED: _____ PLOTTED: _____
 CHECKED: _____ RT. OF WAY CHECKED: _____
 NO. _____ CAD FILE NAME: _____

DATE: _____ BY: _____
 SURVEYED: _____ PLOTTED: _____
 CHECKED: _____ RT. OF WAY CHECKED: _____
 NO. _____ CAD FILE NAME: _____



KEMPEL, TIMOTHY L. & DENISE



STAGE I
 479+50 TO 489+50 LT
 EARTH EX = 1096 CY
 EMB = 285 CY
 WASTE = 537 CY

STAGE II
 479+50 TO 489+50 RT
 EARTH EX = 2231 CY
 EMB = 286 CY
 WASTE = 1388 CY

883.29 883.48	883.19 883.38	883.33 883.52	883.50 883.69	883.99 884.18	884.66 884.85	885.53 885.72	886.62 886.81	887.86 888.05	889.35 889.54	891.09 891.28	892.94 893.13	894.85 895.04
485+00	485+50	486+00	486+50	487+00	487+50	488+00	488+50	489+00	489+50	490+00	490+50	491+00

FILE NAME =
 USER NAME = dssdd
 DESIGNED -
 DRAWN -
 CHECKED -
 DATE -

DESIGNED -
 DRAWN -
 CHECKED -
 DATE -

DESIGNED -
 DRAWN -
 CHECKED -
 DATE -

DESIGNED -
 DRAWN -
 CHECKED -
 DATE -

DESIGNED -
 DRAWN -
 CHECKED -
 DATE -

DESIGNED -
 DRAWN -
 CHECKED -
 DATE -

DESIGNED -
 DRAWN -
 CHECKED -
 DATE -

DESIGNED -
 DRAWN -
 CHECKED -
 DATE -

DESIGNED -
 DRAWN -
 CHECKED -
 DATE -

DESIGNED -
 DRAWN -
 CHECKED -
 DATE -

STATE OF ILLINOIS
 DEPARTMENT OF TRANSPORTATION

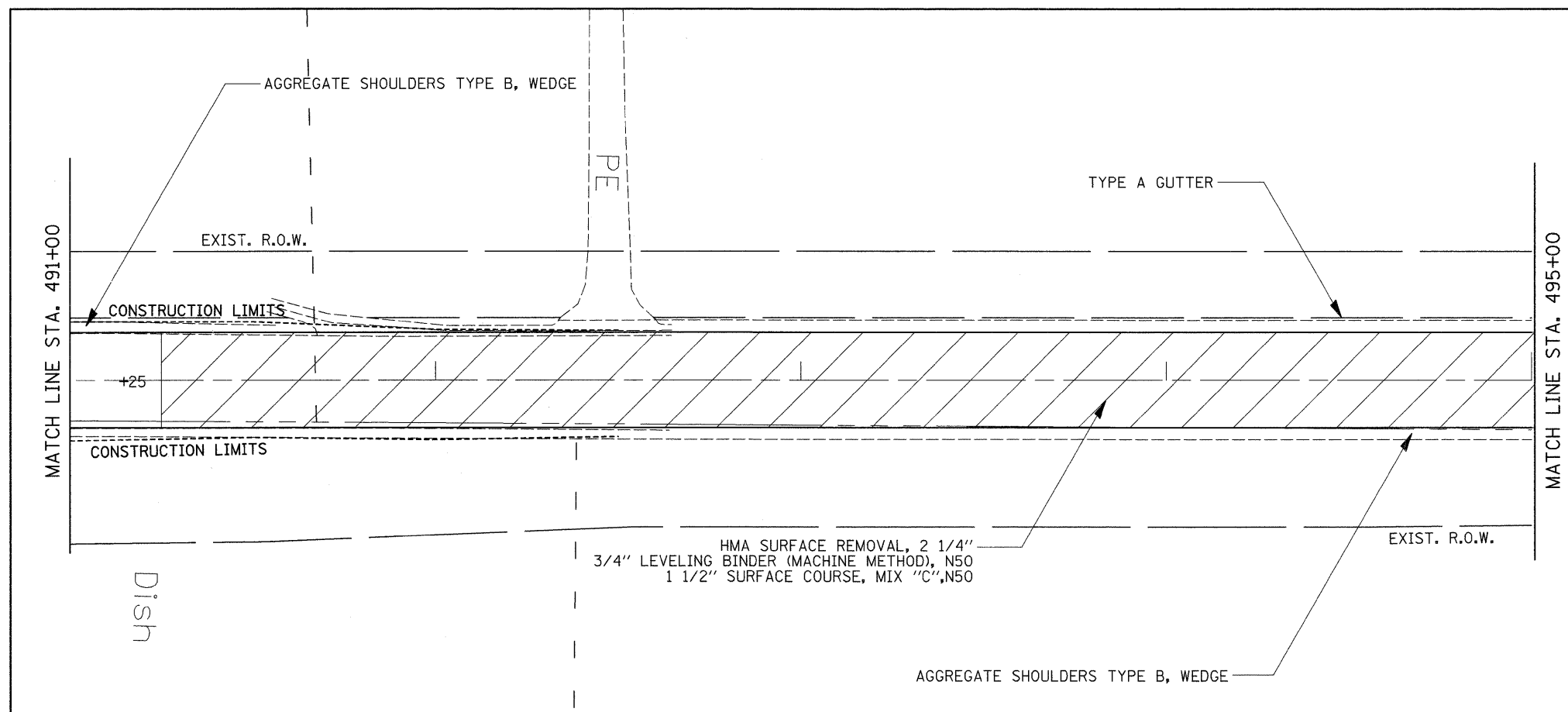
IL 73

F.A.P. RTE.	SECTION	COUNTY	TOTAL SHEETS	SHEET NO.
654	(107, 108, 109)RS-4	STEPHENSON	89	58
CONTRACT NO. 64C91				
FED. ROAD DIST. NO. 2 ILLINOIS FED. AID PROJECT				

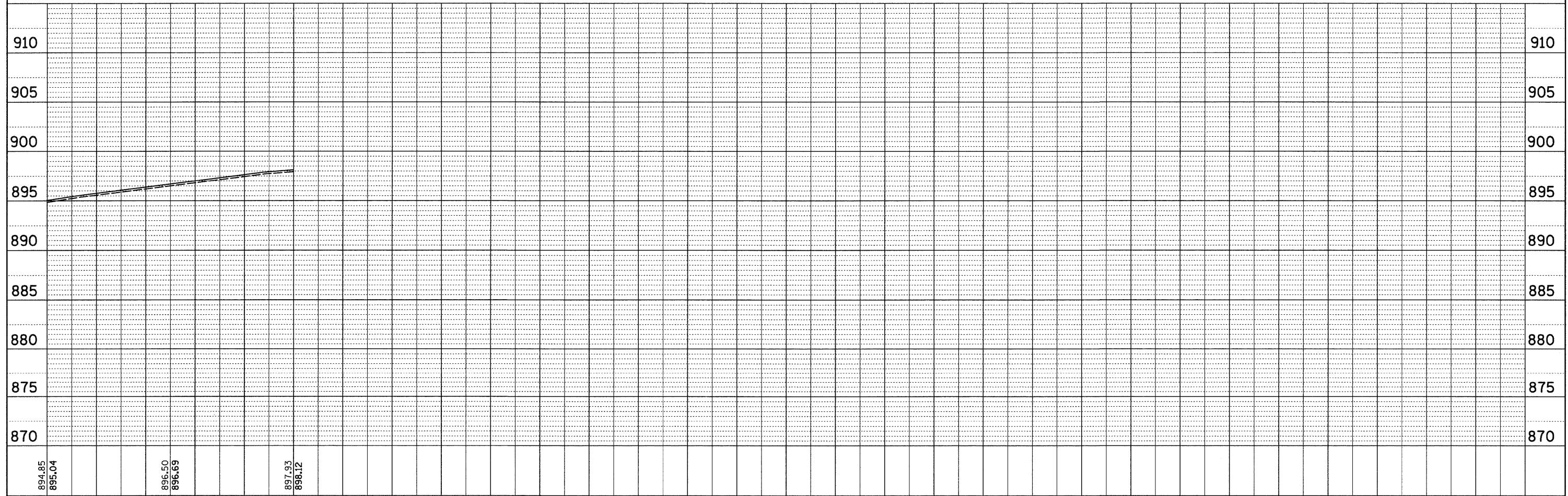
SCALE: SHEET NO. OF SHEETS STA. TO STA.



PLAN	DATE
SURVEYED	BY
PLOTTED	
CHECKED	
NO. OF WAY CHECKED	
CADD FILE NAME	
NOTE BOOK NO.	



PLAN	DATE
SURVEYED	BY
PLOTTED	
CHECKED	
NO. OF WAY CHECKED	
CADD FILE NAME	
NOTE BOOK NO.	

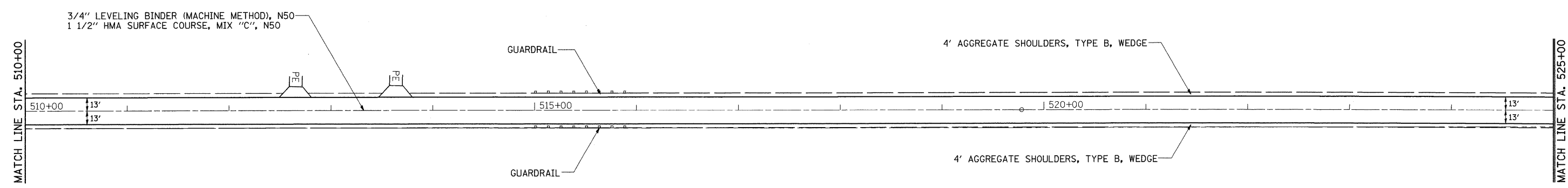
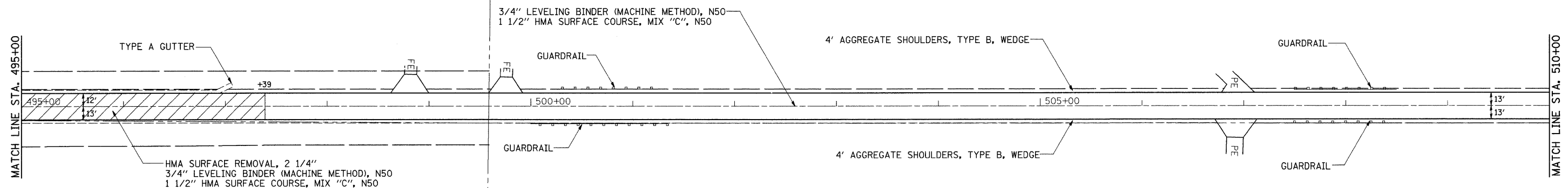


FILE NAME =	USER NAME =	DESIGNED -	REVISED -
os\pwr\work\FWID01\DOSSDD\dms33571\1d02907	dms33571	DRAWN -	REVISED -
		CHECKED -	REVISED -
		DATE -	REVISED -

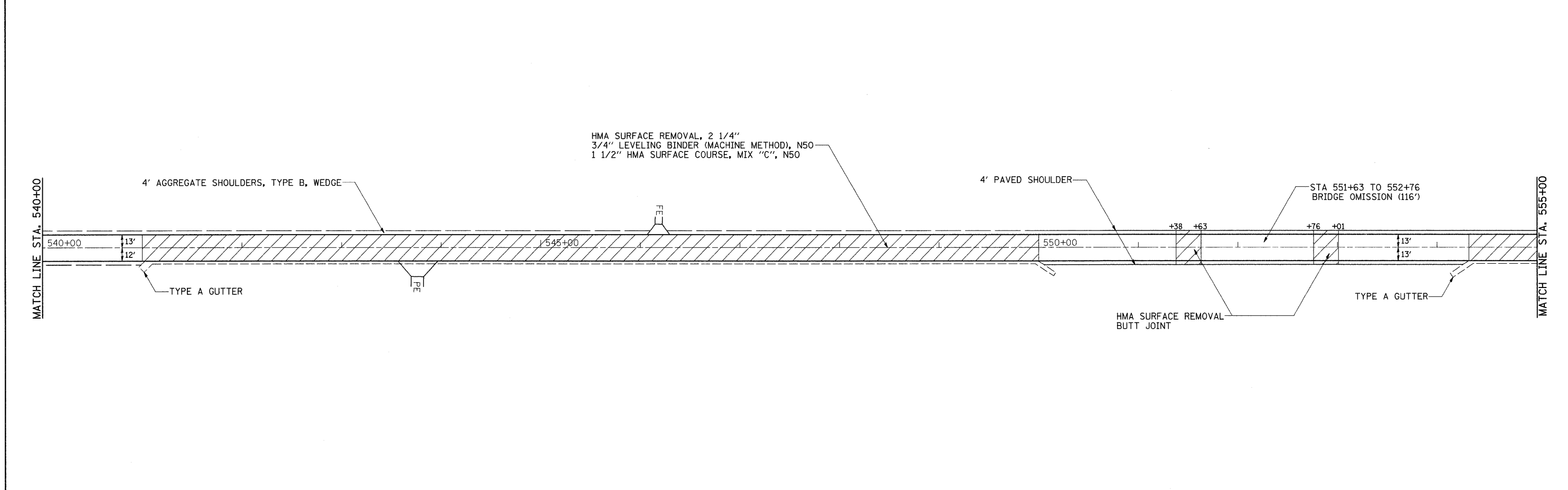
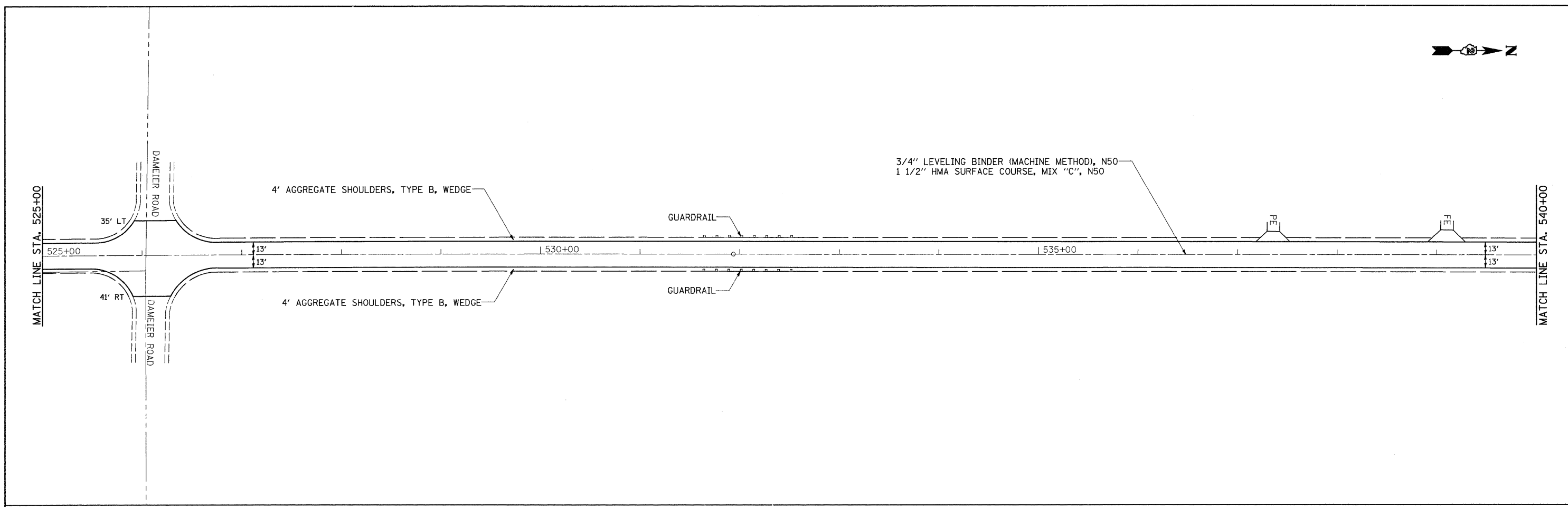
STATE OF ILLINOIS
DEPARTMENT OF TRANSPORTATION

IL 73	
SCALE:	SHEET NO. OF SHEETS STA. TO STA.

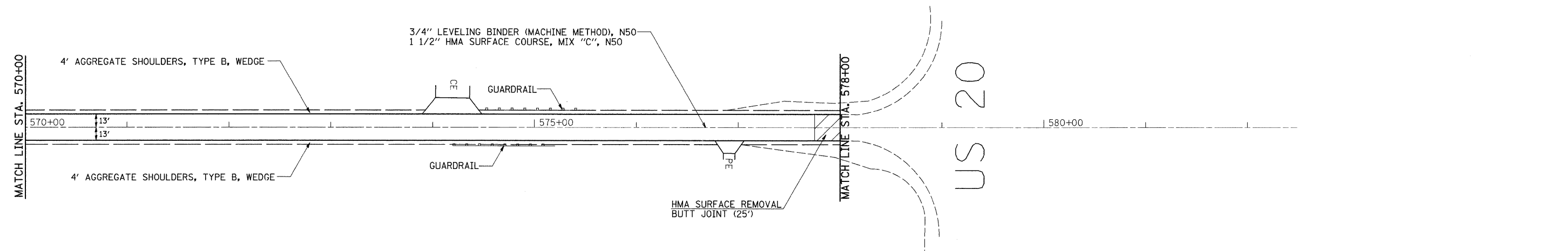
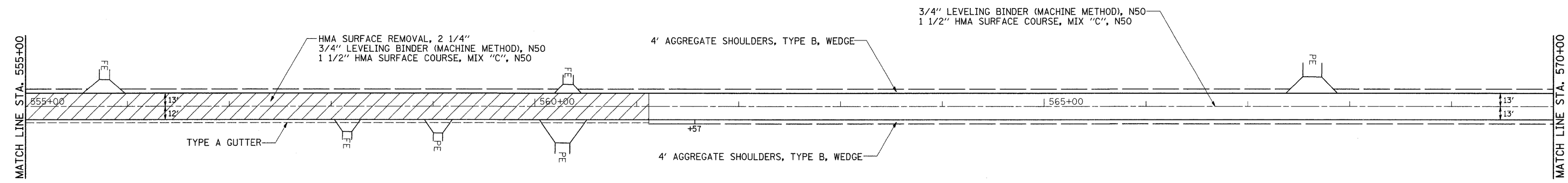
F.A.P. RTE.	SECTION	COUNTY	TOTAL SHEETS	SHEET NO.
654	(107, 108, 109)RS-4	STEPHENSON	89	59
CONTRACT NO. 64C91				
FED. ROAD DIST. NO. 2 ILLINOIS FED. AID PROJECT				



FILE NAME =	USER NAME = dssdd	DESIGNED -	REVISED -	STATE OF ILLINOIS DEPARTMENT OF TRANSPORTATION	IL 73				F.A.P. RTE.	SECTION	COUNTY	TOTAL SHEETS	SHEET NO.		
ca:\pw_work\PWIDOT\DOSSDD\dms33571\d029	7pin.dgn	DRAWN -	REVISED -		SCALE:	SHEET NO.	OF	SHEETS	STA.	TO STA.	654	(107, 108, 109)RS-4	STEPHENSON	89	60
	PLOT SCALE = 50.0000' / IN.	CHECKED -	REVISED -												
	PLOT DATE = Wed Sep 24 08:45:50 2008	DATE -	REVISED -												
											CONTRACT NO. 64C91			FED. ROAD DIST. NO. 2 [ILLINOIS] FED. AID PROJECT	

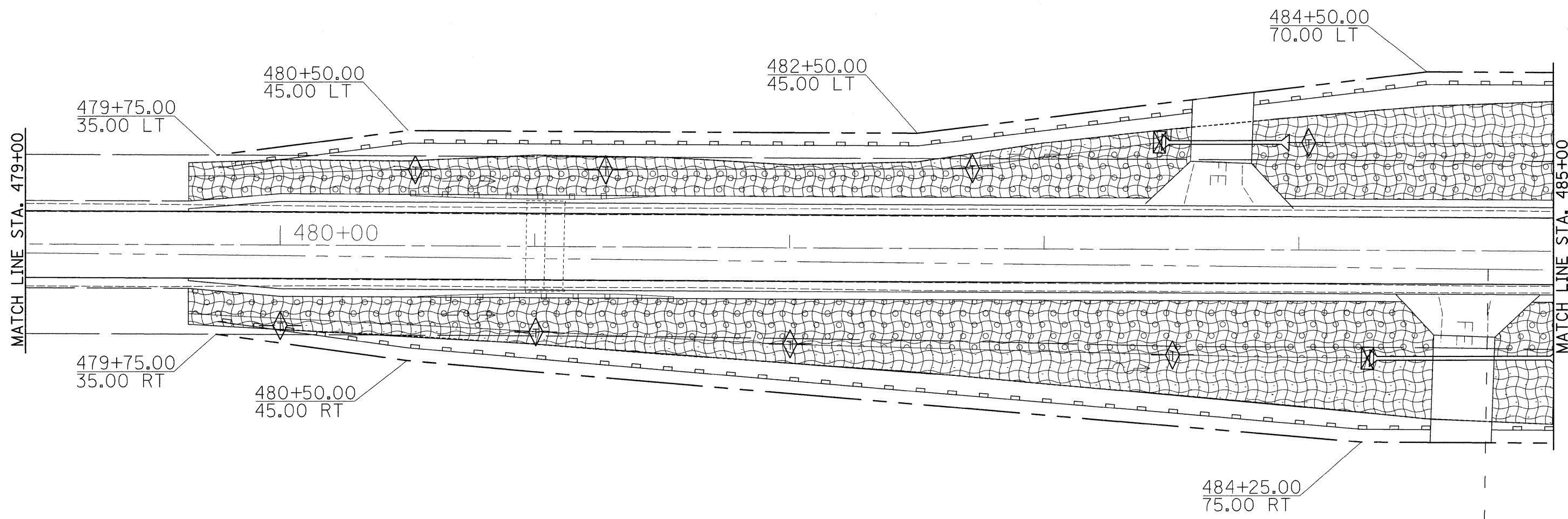


FILE NAME =	USER NAME = dossed	DESIGNED -	REVISED -	STATE OF ILLINOIS DEPARTMENT OF TRANSPORTATION	IL 73	F.A.P. RTL:	SECTION	COUNTY	TOTAL SHEETS	SHEET NO.	
et\pw_work\PWIDOT\DOSSDD\dms33571\d029	p1n1.dgn	DRAWN -	REVISED -			654	(107, 108, 109)RS-4	STEPHENSON	89	61	
	PLOT SCALE = 50.0000' / IN.	CHECKED -	REVISED -			CONTRACT NO. 64C91					
	PLOT DATE = Fri Oct 03 09:57:38 2008	DATE -	REVISED -			FED. ROAD DIST. NO. 2 [ILLINOIS] FED. AID PROJECT					
					SCALE:	SHEET NO. OF SHEETS		STA. TO STA.			



FILE NAME =	USER NAME = dosadd	DESIGNED -	REVISED -	STATE OF ILLINOIS DEPARTMENT OF TRANSPORTATION	IL 73				F.A.P. RTE.	SECTION	COUNTY	TOTAL SHEETS	SHEET NO.		
ci:\pw_work\PIWIDOT\DOSSDD\dms33571\d82977.plt.dgn	PLOT SCALE = 50.0000' / IN.	DRAWN -	REVISED -		SCALE:	SHEET NO.	OF	SHEETS	STA.	TO STA.	654	(107, 108, 109)RS-4	STEPHENSON	89	62
PLOT DATE = Fri Oct 03 08:57:48 2008	DATE -	CHECKED -	REVISED -						CONTRACT NO. 64C91						
					FED. ROAD DIST. NO. 2 [ILLINOIS] FED. AID PROJECT										

EROSION, R.O.W., EASEMENT, SEEDING, DRAINAGE



	CLASS 1 SEEDING		TURF REINFORCEMENT MAT
	CLASS 2A SEEDING		PERIMETER EROSION BARRIER
	CLASS 4 SEEDING		TEMP DITCH CHECK
	EROSION CONTROL BLANKET		INLET & PIPE PROTECTION

FILE NAME =	USER NAME = dosedd	DESIGNED -	REVISED -
c:\pwwork\pwidot\DOSSDD\dms33571\d0297er.dgn		DRAWN -	REVISED -
PLOT SCALE = 20.0000' / IN.		CHECKED -	REVISED -
PLOT DATE = Wed Sep 24 08:47:37 2008		DATE -	REVISED -

**STATE OF ILLINOIS
DEPARTMENT OF TRANSPORTATION**

IL 73			
SCALE:	SHEET NO.	OF SHEETS	STA. TO STA.

F.A.P. RTE.	SECTION	COUNTY	TOTAL SHEETS	SHEET NO.
654	(107, 108, 109)RS-4	STEPHENSON	89	63
CONTRACT NO. 64C91				
FED. ROAD DIST. NO. 2 [ILLINOIS] FED. AID PROJECT				

EROSION, R.O.W., EASEMENT, SEEDING, DRAINAGE

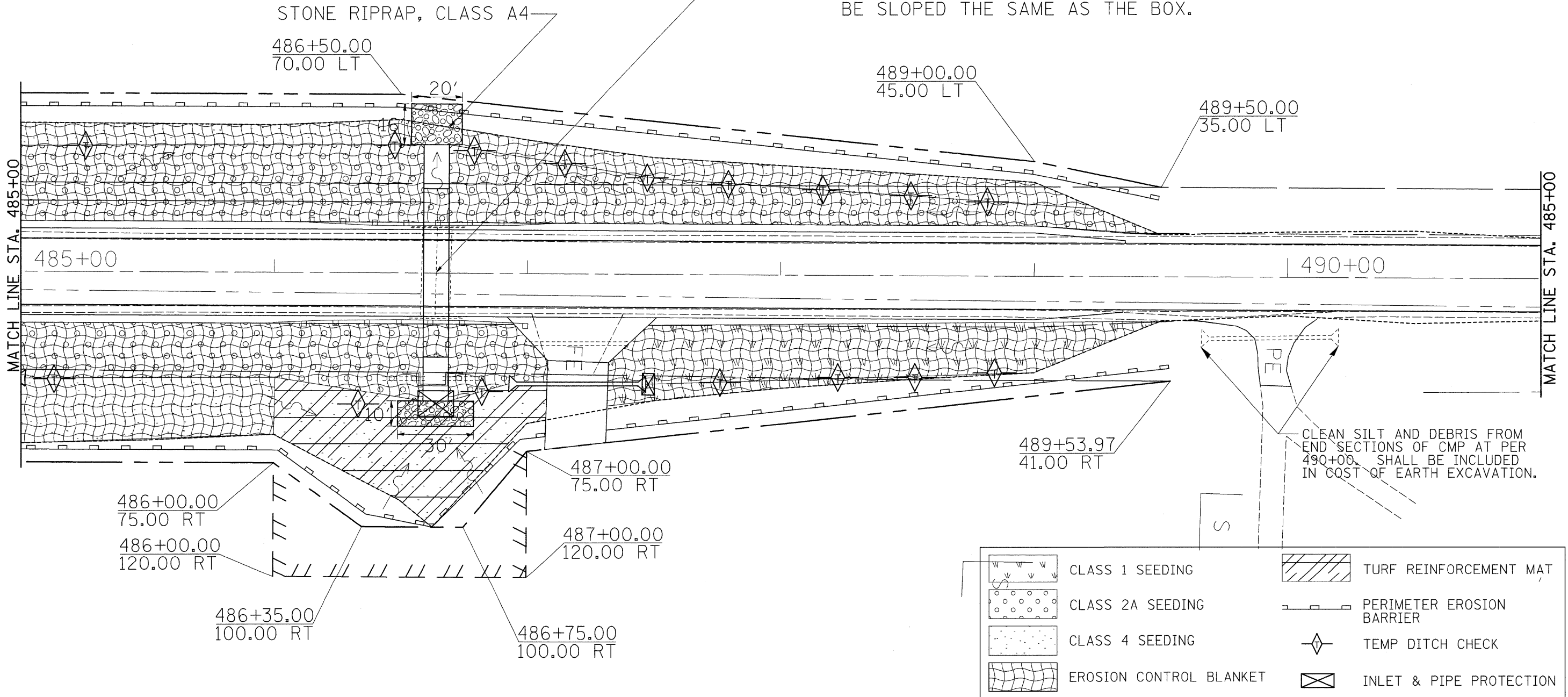


PR Drainage Area =	155.0	acres
EX Drainage Area =	119.0	acres
Existing Low Grade Elevation:	883.19	ft. @ 485+55
Proposed Low Grade Elevation:	883.19	ft. @ 485+55

Flood	Frequency	Discharge (EX Conditions)	Discharge (PR Conditions)	Headwater Elev. (ft)	
				Existing	Proposed
Ten-Year	10	54	76	879.47	878.35
Design	50	79	103	880.12	878.78
Base	100	92	119	880.43	879.02
Max Calc	500	125	168	881.19	879.74

10-Year Velocity through Existing Culvert = 9.1 fps
 10-Year Velocity through Proposed Culvert = 3.49 fps

STA 486+63
 66' PRECAST BOX CULVERT, 10' X 3'
 33' RT TO 33' RT
 SKEW = 0°
 UPSTREAM $\#$ = 876.05 (33' RT)
 DOWNSTREAM $\#$ = 875.76 (33' LT)
 SLOPE = 0.44%
 2 EA BOX CULVERT END SECTIONS TO BE SLOPED THE SAME AS THE BOX.



	CLASS 1 SEEDING		TURF REINFORCEMENT MAT
	CLASS 2A SEEDING		PERIMETER EROSION BARRIER
	CLASS 4 SEEDING		TEMP DITCH CHECK
	EROSION CONTROL BLANKET		INLET & PIPE PROTECTION

BORING LOGS



Illinois Department of Transportation
Division of Highways
Illinois Department of Transportation/D-2

SOIL BORING LOG

Page 1 of 1

Date 7/25/06

ROUTE IL 73 DESCRIPTION P92-029-07 culvert, .1 m. N. of Mound Road LOGGED BY W. Garza

SECTION LOCATION Kent Twp. - 16 SW, SEC., TWP. 27N, RNG. 6E

COUNTY Stephenson DRILLING METHOD Hollow Stem Auger HAMMER TYPE B-53 Diedrich Automatic

STRUCT. NO. 089-1035
Station
BORING NO. B-1a
Station 17' S.
Offset 11.00ft E of Culv. CL
Ground Surface Elev. 99.80 ft

SOIL DESCRIPTION	DEPTH (ft)	BULGE (in)	SHEAR (tsf)	PENETRATION (%)	DEPTH (ft)	BULGE (in)	SHEAR (tsf)	PENETRATION (%)
Asphalt								
SOFT brown SILTY CLAY LOAM		0.3	24.0			0.3	14.0	
		P				P		
SOFT dark gray SILTY LOAM	97.30	1						
		2	0.4	34.0				
		3	B					
MEDIUM black SILTY CLAY LOAM with 11% ORGANICS	93.30	1		49.0				
		2	0.6					
		3	P					
MEDIUM gray SILTY CLAY	90.80	1	0.7	33.0				
		3	B					
MEDIUM gray SILTY CLAY LOAM	88.30	1	0.8	27.0				
		4	B					
STIFF gray SILTY CLAY LOAM	85.30	3	1.2	24.0				
		5	B					
MEDIUM gray SILTY LOAM TILL	82.80	4	0.9	14.0				
		6	B					
SOFT light gray SILT	80.30	4	0.4	21.0				
		8	B					

The Unconfined Compressive Strength (UCS) Failure Mode is indicated by (B-Bulge, S-Shear, P-Penetrometer)
The SPT (N value) is the sum of the last two blow values in each sampling zone (AASHTO T206)

BBS, from 137 (Rev. 8-99)



Illinois Department of Transportation
Division of Highways
Illinois Department of Transportation/D-2

SOIL BORING LOG

Page 1 of 1

Date 7/27/06

ROUTE IL 73 DESCRIPTION P92-029-07 culvert, .15 m. N. of Mound Road LOGGED BY W. Garza

SECTION LOCATION Kent Twp. - 16 SW, SEC., TWP. 27N, RNG. 6E

COUNTY Stephenson DRILLING METHOD Hollow Stem Auger HAMMER TYPE B-53 Diedrich Automatic


STRUCT. NO. 089-1034
Station
BORING NO. B-1b
Station 16' S.
Offset 10.00ft E. of Culv. CL
Ground Surface Elev. 99.60 ft

SOIL DESCRIPTION	DEPTH (ft)	BULGE (in)	SHEAR (tsf)	PENETRATION (%)	DEPTH (ft)	BULGE (in)	SHEAR (tsf)	PENETRATION (%)
Asphalt								
MEDIUM gray SILTY CLAY LOAM		0.8	22.0			0.8	29.0	
		P				P		
VERY STIFF gray SILTY LOAM	97.10	5						
		5	2.5	17.0				
		8	S					
SOFT gray SILTY LOAM	93.10	3	0.4	27.0				
		3	B					
STIFF dark gray SILTY CLAY LOAM	90.60	2	1.0	28.0				
		2	B					
		3	B					
MEDIUM gray SILTY CLAY LOAM	88.10	1	0.9	28.0				
		2	B					
		3	B					
SOFT tan SILTY CLAY LOAM with weathered LIMESTONE fragments	85.60	2	1.0	17.0				
		4	B					
VERY STIFF gray/tan SILTY CLAY LOAM TILL with weathered LIMESTONE lens	83.10	8	3.3	15.0				
		12	P					
		10						
STIFF gray SILTY CLAY	80.60	3	1.2	28.0				
		5	B					
		5	B					

The Unconfined Compressive Strength (UCS) Failure Mode is indicated by (B-Bulge, S-Shear, P-Penetrometer)
The SPT (N value) is the sum of the last two blow values in each sampling zone (AASHTO T206)

BBS, from 137 (Rev. 8-99)

BORING LOGS



Illinois Department of Transportation
Division of Highways
Illinois Department of Transportation/D-2

SOIL BORING LOG

Page 1 of 1
Date 7/25/06

ROUTE IL 73 DESCRIPTION P92-029-07 culvert, .1 m. N. of Mound Road LOGGED BY W. Garza

SECTION _____ LOCATION Kent Twp. - 16 SW, SEC. , TWP. 27N, RNG. 6E

COUNTY Stephenson DRILLING METHOD Hollow Stem Auger HAMMER TYPE B-53 Diedrich Automatic


STRUCT. NO. _____
Station _____

BORING NO. B-2a
Station 15' N.
Offset 11.00ft CL West Side
Ground Surface Elev. 99.70 ft

Description	D E P T H S	B L O W S	U C S	M O I S T U R E	Surface Water Elev. _____ ft	Stream Bed Elev. _____ ft	Groundwater Elev.: First Encounter _____ ft Upon Completion _____ ft After _____ Hrs. _____ ft	D E P T H S	B L O W S	U C S	M O I S T U R E
Asphalt							No Recovery	3			
MEDIUM tan dry SAND				6.0				4			
								9			
	97.20										
SOFT gray SILTY LOAM		1					STIFF gray SILTY CLAY LOAM TILL with weathered LIMESTONE fragments	5			
		1	0.3	31.0				13	1.9	12.0	
	95.70	2	B					13	S		
STIFF black SILTY CLAY LOAM with 12% ORGANICS		1					STIFF gray SILTY CLAY LOAM TILL	10			
		2	1.2	45.0				10	1.3	18.0	
	93.20	4	P					10	B		
MEDIUM gray SILTY CLAY		1					STIFF gray SILTY CLAY	2			
		2	0.5	19.0				3	1.3	27.0	
	90.70	4	B					6	B		
STIFF gray SILTY CLAY TILL		2					DENSE tan weathered LIMESTONE	1			
		3	1.4	28.0				3			
	88.20	5	B				End of Boring	34			
STIFF gray tan SILTY CLAY LOAM		3									
		4	1.2	28.0							
	85.70	5	B								
MEDIUM gray SANDY LOAM		4									
		3	0.5	23.0							
	82.70	4	P								
MEDIUM tan SILTY CLAY LOAM TILL with weathered LIMESTONE fragments		2									
		3	0.9	17.0							
	80.70	5	B								

The Unconfined Compressive Strength (UCS) Failure Mode is indicated by (B-Bulge, S-Shear, P-Penetrometer)
The SPT (N value) is the sum of the last two blow values in each sampling zone (AASHTO T206)

BBS, from 137 (Rev. 8-99)



Illinois Department of Transportation
Division of Highways
Illinois Department of Transportation/D-2

SOIL BORING LOG

Page 1 of 1
Date 7/27/06

ROUTE IL 73 DESCRIPTION P92-029-07 culvert, .15 m. N. of Mound Road LOGGED BY W. Garza

SECTION _____ LOCATION Kent Twp. - 16 SW, SEC. , TWP. 27N, RNG. 6E

COUNTY Stephenson DRILLING METHOD Hollow Stem Auger HAMMER TYPE B-53 Diedrich Automatic

STRUCT. NO. _____
Station _____

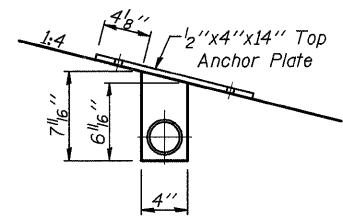
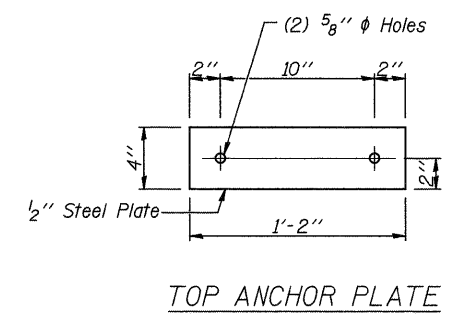
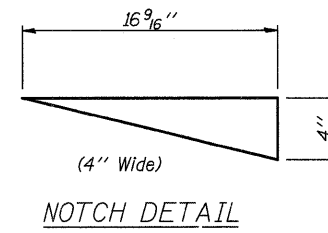
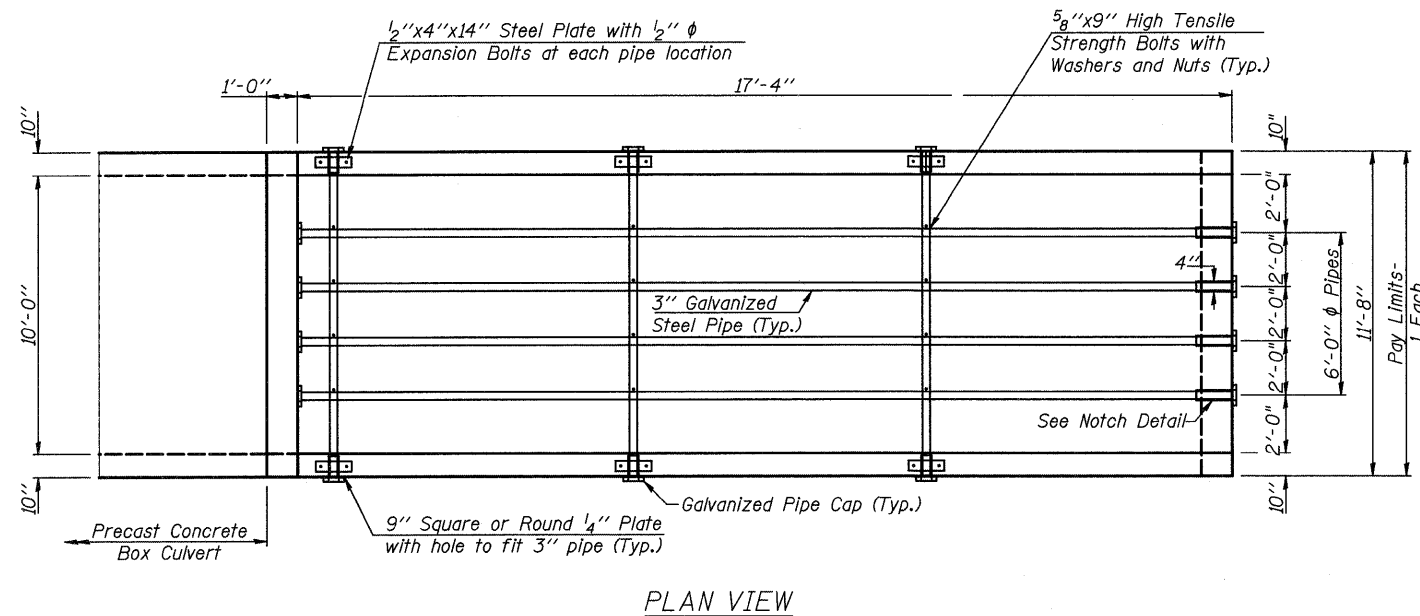
BORING NO. B-2b
Station 21' N.
Offset 11.00ft West CL
Ground Surface Elev. 99.80 ft

Description	D E P T H S	B L O W S	U C S	M O I S T U R E	Surface Water Elev. _____ ft	Stream Bed Elev. _____ ft	Groundwater Elev.: First Encounter _____ ft Upon Completion _____ ft After _____ Hrs. _____ ft	D E P T H S	B L O W S	U C S	M O I S T U R E
Asphalt											
MEDIUM tan dry SAND							STIFF gray SILTY CLAY	3			
								3	1.2	25.0	
	78.30							6	B		
VERY SOFT gray SILTY LOAM		1					SOFT gray SILTY LOAM	2			
	97.30	1	0.2	31.0				3	0.4	27.0	
		2	P					5	B		
	95.80										
SOFT gray SILTY LOAM		1					VERY SOFT gray SILTY LOAM	1			
		2	0.4	32.0				3	0.2	26.0	
	93.30	2	P					4	P		
MEDIUM dark gray SILTY CLAY LOAM		1					VERY DENSE tan weathered LIMESTONE	100/2"			
		2	0.7	35.0							
	90.80	3	B				End of Boring				
MEDIUM gray SILTY CLAY LOAM		1									
		1	0.5	30.0							
	88.30	3	B								
MEDIUM gray SILTY CLAY LOAM with fine SAND lens		1									
		2	0.8	26.0							
	85.80	2	B								
MEDIUM tan SILTY CLAY with LIMESTONE fragments		0									
		2	0.6	18.0							
	83.30	4	B								
STIFF gray SILTY CLAY LOAM TILL		5									
		6	1.9	15.0							
	80.80	9	B								

The Unconfined Compressive Strength (UCS) Failure Mode is indicated by (B-Bulge, S-Shear, P-Penetrometer)
The SPT (N value) is the sum of the last two blow values in each sampling zone (AASHTO T206)

BBS, from 137 (Rev. 8-99)

BOX CULVERT END SECTION DETAIL



BILL OF MATERIAL

DESCRIPTION	UNIT	QTY.
Box Culvert End Section	Each	2
Name Plate	Each	1

GENERAL NOTES:

Slope flow line of the end section at the same rate as the flow line of the box.

Bolts, Nuts, and Washers shall be in accordance with Article 1006.08 of the standard specification and shall be galvanized.

The contract unit price "Each" for Box Culvert End Section shall include the Galvanized Pipe, Bolts, Nuts, Washers and Steel Plates, and all applicable work according to Section 540 of the Standard Specifications.

Steel Pipes shall conform to A.S.T.M. A-53 (Type E or S) Grade B, Schedule 40, and shall be galvanized conforming to A.S.T.M. A-120. Contractor shall field verify pipe length.

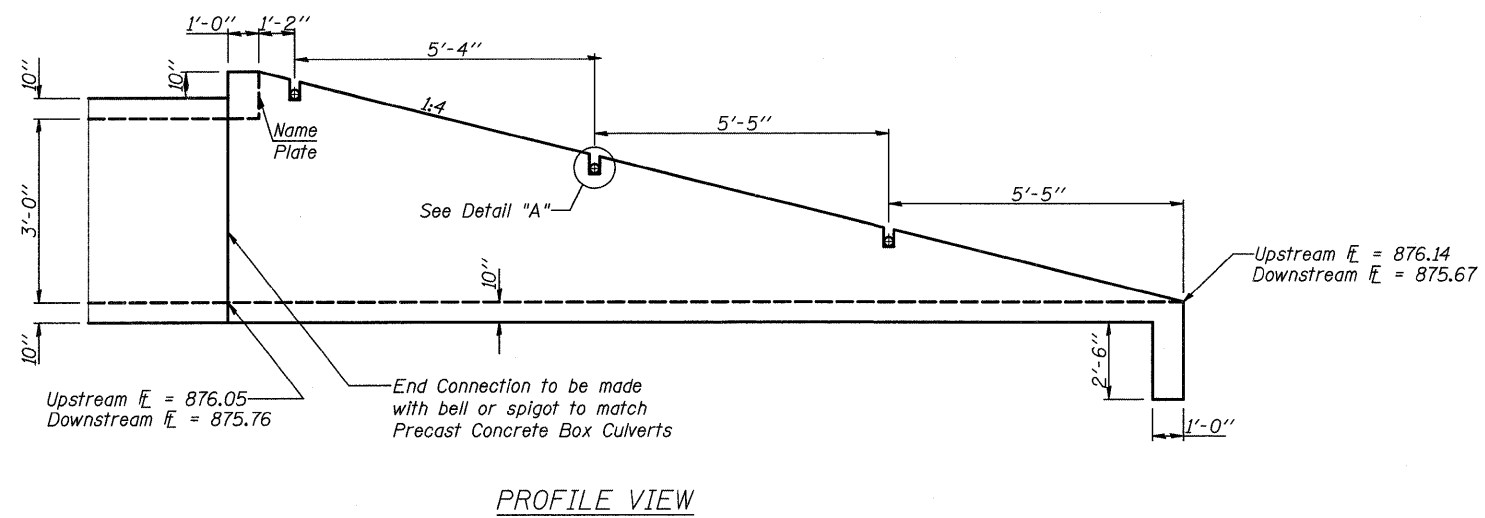
Steel Plates shall conform to AASHTO M-183 and shall be galvanized conforming to AASHTO M-111.

See Plan and Profile Sheet 59 & 65 of 89 for more information.

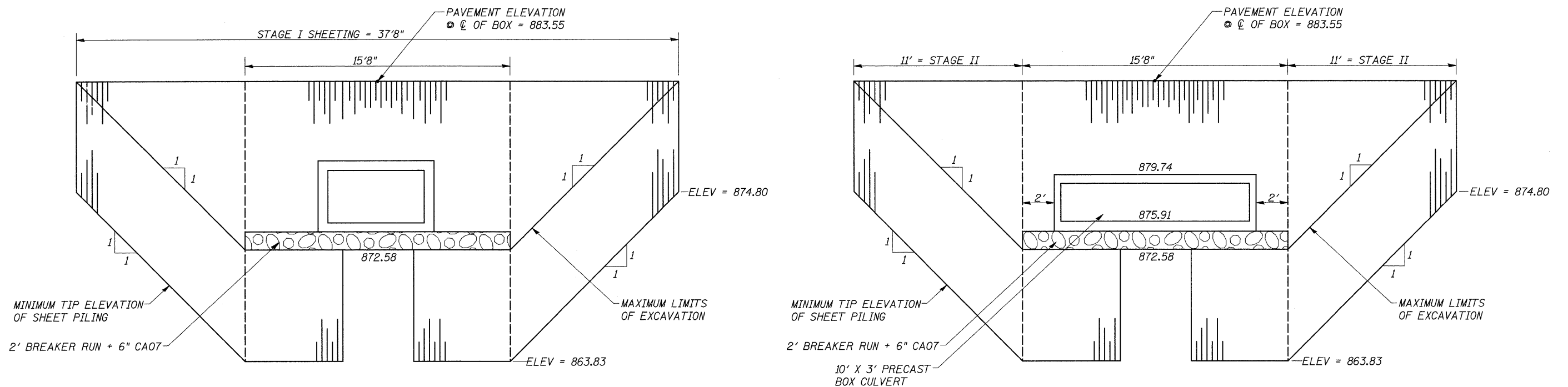
The Contractor shall submit four copies of the required shop drawings for review and approval to the Bureau of Bridges and Structures, 2300 South Dirksen Parkway, Springfield, IL. 62764. After approval of initial submittal, the contractor shall submit one set of shop drawings to the Engineer of Materials, 126 East Ash Street, Springfield, IL. 62706, and eight (8) sets of shop drawings, to be distributed to:
 District 2 District Engineer (1)
 Fabricator (1)
 Contractor (1)
 Resident Engineer (2)
 District Bureau of Materials (2)

STATION 486+64
 BUILT 2009 BY
 STATE OF ILLINOIS
 F.A.P. RT. 654 SEC 107, 108, 109 RS-4
 FA PROJECT
 LOADING HS20
 STR. NO. 089-1107

NAME PLATE
 See Std. 515001
 Located on the SE Headwall.



BOX CULVERT TEMPORARY SHEET PILING



SEQUENCE OF CONSTRUCTION

1. INSTALL SHEET PILING AS SHOWN.
2. CONSTRUCT STAGE I.
3. REMOVE INSIDE SHEETING TO CONSTRUCT STAGE II.
4. BUILD STAGE II.
5. REMOVE ALL SHEETING AND PATCH THE ROAD.*

*THE CONTRACTOR IS ALLOWED TO LEAVE SHEETING IN PLACE IF THEY CHOOSE TO DO SO. (SEE SPECIAL PROVISIONS)

NOTES:

If the Contractor chooses to alter the temporary cantilevered sheet piling design requirements shown on the plans, a design submittal including plan details and calculations will be required for review and acceptance by the Engineer.

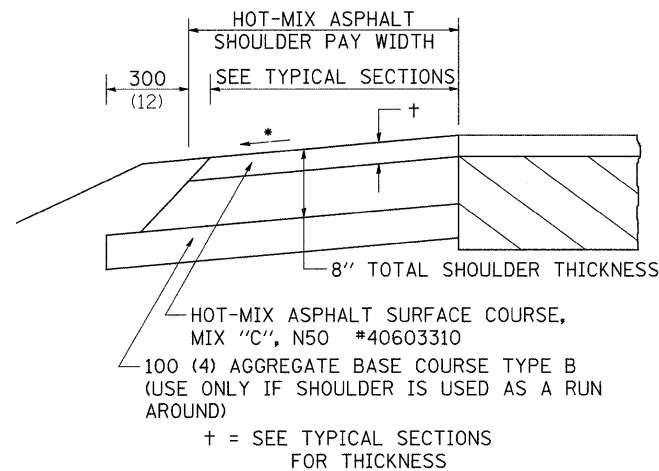
TEMPORARY SHEET PILING

S = MINIMUM REQUIRED SECTION MODULES
 S = 9.61r²/ft
 MINIMUM EMBEDMENT LENGTH = 8'9"

Plan dimensions and details relative to existing structures have been taken from field survey. It shall be the Contractor's responsibility to verify such dimensions and details in the field and make necessary approved adjustments prior to construction or ordering of materials. Such variations shall not be cause for additional compensation for a change in the scope of work, however, the Contractor will be paid for the quantity actually furnished at the unit price bid for the work.

FILE NAME =	USER NAME = dossed	DESIGNED -	REVISED - 10-24-07	STATE OF ILLINOIS DEPARTMENT OF TRANSPORTATION	IL 73	F.A.P. RTE.	SECTION	COUNTY	TOTAL SHEETS	SHEET NO.	
ct:\pw_work\VPWIDOT\DOSSDD\dms33571\d02967culv.dgn		DRAWN -	REVISED -			654	(107, 108, 109)RS-4	STEPHENSON	89	68	
PLOT SCALE = 50,0000' / IN.		CHECKED -	REVISED -			CONTRACT NO. 64C91					
PLOT DATE = Wed Sep 24 08:52:00 2008		DATE -	REVISED -			FED. ROAD DIST. NO. 2 ILLINOIS FED. AID PROJECT					
				SCALE:		SHEET NO. OF SHEETS		STA. TO STA.			

HOT-MIX ASPHALT SHOULDER



GENERAL NOTES

THE HOT-MIX ASPHALT SHOULDER SHALL BE CONSTRUCTED IN ACCORDANCE WITH SECTION 482 EXCEPT THE TOP LIFT SHALL BE HOT-MIX ASPHALT SURFACE COURSE, MIX "C", N50 #40603310. THE WORK WILL BE PAID FOR AT THE CONTRACT UNIT PRICE PER TON FOR HOT-MIX ASPHALT SURFACE COURSE, MIX "C", N50 #40603310 AND SQUARE YARD FOR HOT-MIX ASPHALT SHOULDERS OF THE THICKNESS SPECIFIED.

USE HOT-MIX ASPHALT SURFACE COURSE, MIX "C", N50 #40603310. WHEN RESURFACING EXISTING HOT-MIX ASPHALT SHOULDERS. THE THICKNESS IS SHOWN ON THE TYPICAL SECTIONS. THIS WORK WILL BE PAID FOR AT THE CONTRACT UNIT PRICE PER TON FOR HOT-MIX ASPHALT SURFACE COURSE, MIX "C", N50 #40603310.

REMOVAL OF MATERIAL FOR PLACEMENT OF THE HOT-MIX ASPHALT SHOULDER TO BE PAID FOR IN UNITS FOR EXCAVATING AND GRADING EXISTING SHOULDERS OR IN CUBIC YARDS FOR EARTH EXCAVATION OR EARTH EXCAVATION WIDENING.

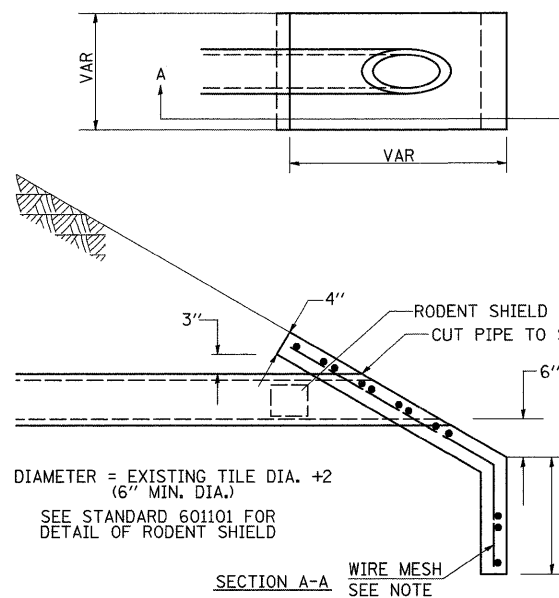
*4% WHEN MAINLINE IS ON TANGENT. FOR CROSS SLOPE ON SUPERELEVATION SECTION, SEE HIGHWAY STANDARD 482001 OR 482006.

ALL DIMENSIONS ARE IN MILLIMETERS (INCHES) UNLESS OTHERWISE NOTED.

REVISED - 11-01-07

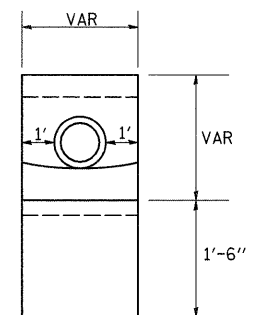
HOT-MIX ASPHALT SHOULDER 23.4a

SLOPE WALL FOR FIELD TILE OUTLETS



NOTES

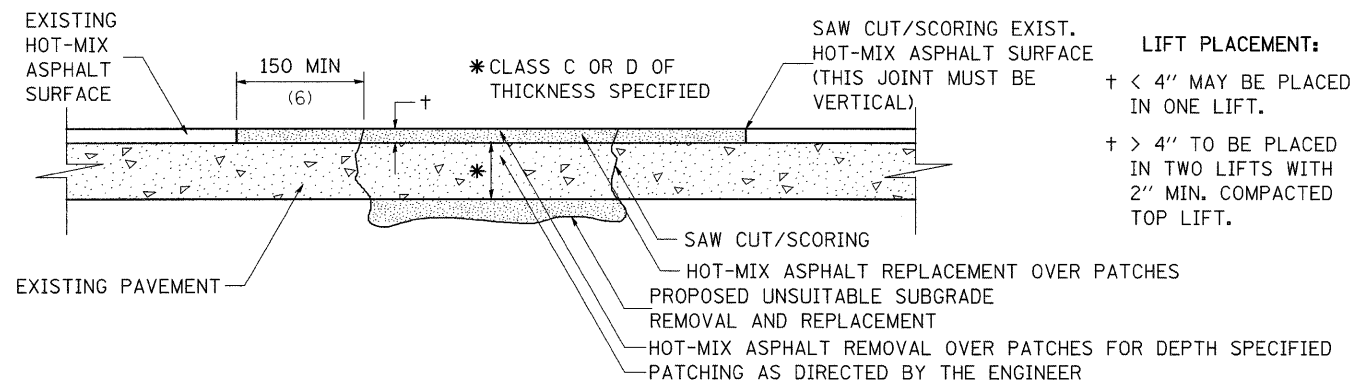
1. ANY STORM SEWER OR FIELD TILE OUTLET INTO A DITCH SHALL HAVE A HEADWALL BUILT IN ACCORDANCE WITH THIS DETAIL.
2. COST OF FURNISHING AND INSTALLING WIRE MESH SHALL BE INCLUDED IN THE CONTRACT UNIT PRICE PER CUBIC YARD FOR MISCELLANEOUS CONCRETE. WIRE MESH TO WEIGH NOT LESS THAN 58# PER 100 SQ. FT.



REVISED - 1-24-07

SLOPE WALL FOR FIELD TILE OUTLETS 28.4

PAVEMENT PATCHING FOR HOT-MIX ASPHALT SURFACED PAVEMENT



LIFT PLACEMENT:

† < 4" MAY BE PLACED IN ONE LIFT.

† > 4" TO BE PLACED IN TWO LIFTS WITH 2" MIN. COMPACTED TOP LIFT.

SEQUENCE OF CONSTRUCTION:

1. REMOVE THE EXISTING HOT-MIX ASPHALT SURFACE.
2. RESIDENT ENGINEER WILL DETERMINE IF LOCATION IS TO BE PATCHED OR TO ONLY REPLACE HOT-MIX ASPHALT SURFACE.
3. REMOVE AND REPLACE FULL DEPTH PATCHES AT LOCATIONS DIRECTED BY THE ENGINEER.
4. REPLACE HOT-MIX ASPHALT SURFACE OVER FULL DEPTH PATCHES AND AT LOCATIONS OF HOT-MIX ASPHALT SURFACE REMOVAL.

GENERAL NOTES:

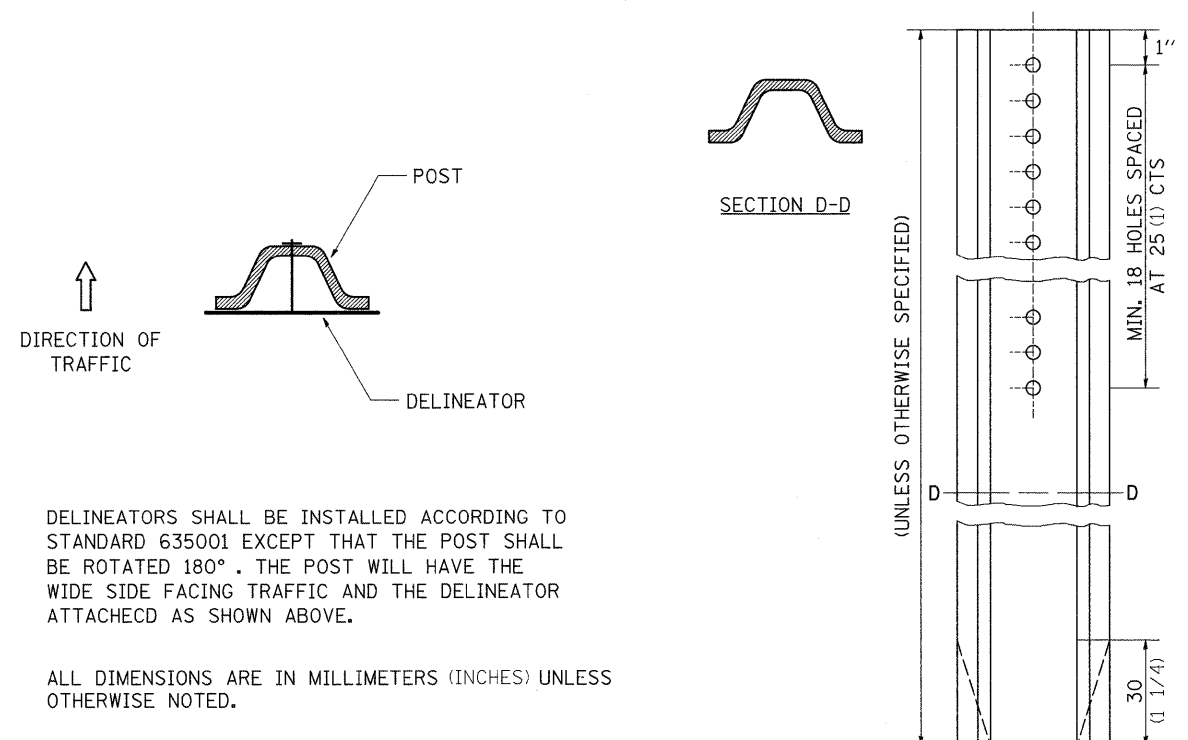
1. THE WIDTH OF THE FULL DEPTH PATCH OVER A TRENCH SHALL BE 300 (12) WIDER ON EACH SIDE OF THE TRENCH.
2. FOR BASIS OF PAYMENT: SEE THE RECURRING SPECIAL PROVISION "PATCHING WITH HOT-MIX ASPHALT OVERLAY REMOVAL".

ALL DIMENSIONS ARE IN MILLIMETERS (INCHES) UNLESS OTHERWISE NOTED.

REVISED - 11-01-07

PAVEMENT PATCHING FOR HOT-MIX ASPHALT SURFACED PAVEMENT 32.4

DELINEATOR AND POST ORIENTATION



DELINEATORS SHALL BE INSTALLED ACCORDING TO STANDARD 635001 EXCEPT THAT THE POST SHALL BE ROTATED 180°. THE POST WILL HAVE THE WIDE SIDE FACING TRAFFIC AND THE DELINEATOR ATTACHED AS SHOWN ABOVE.

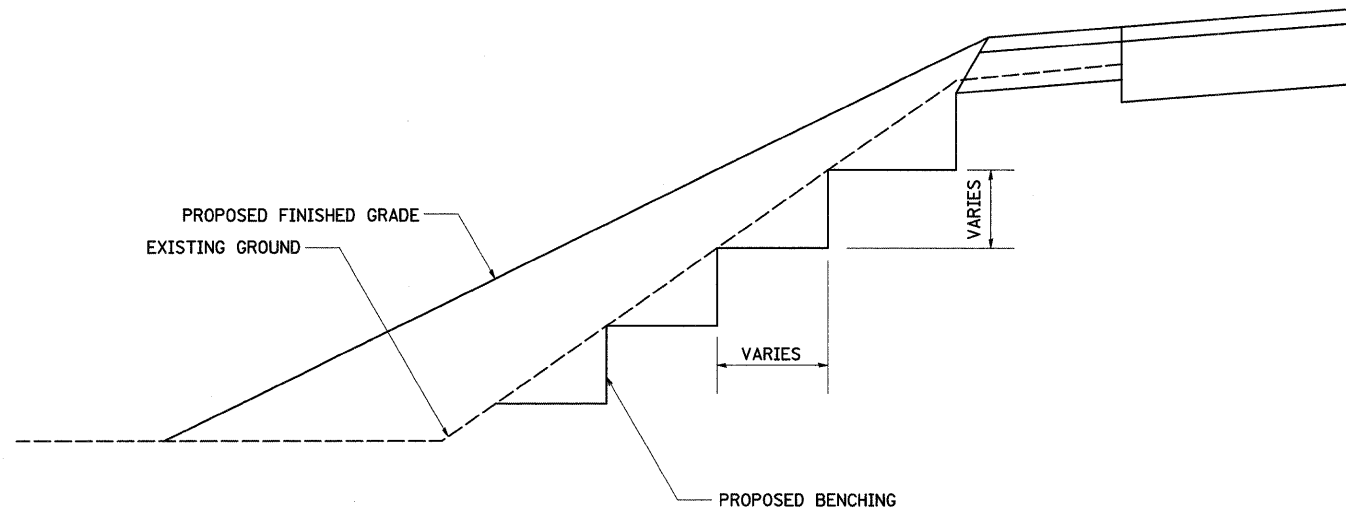
ALL DIMENSIONS ARE IN MILLIMETERS (INCHES) UNLESS OTHERWISE NOTED.

REVISED - 11-01-07	REGION 2 / DISTRICT 2 STANDARD				F.A.P. RTE.	SECTION	COUNTY	TOTAL SHEETS	SHEET NO.
REVISED -					654	(107, 108, 109)RS-4	STEPHENSON	89	69
REVISED -					CONTRACT NO. 64C91				
REVISED -	SCALE: 50.0000' / IN SHEET NO. OF SHEETS STA. TO STA.				FED. ROAD DIST. NO. ILLINOIS FED. AID PROJECT				

PLOT DATE = Wed Sep 24 08:54:50 2008

DELINEATOR AND POST ORIENTATION 37.4

TYPICAL BENCHING ON EXISTING EMBANKMENT



REVISED - 2-22-06

TYPICAL BENCHING ON EXISTING EMBANKMENT 50.4

LETTERING FOR NAME PLATE

STATION
 BUILT 200 BY
 STATE OF ILLINOIS
 RTE. SEC.
 FA PROJECT
 LOADING HS 20
 STR. NO.

SEE STD. 515001

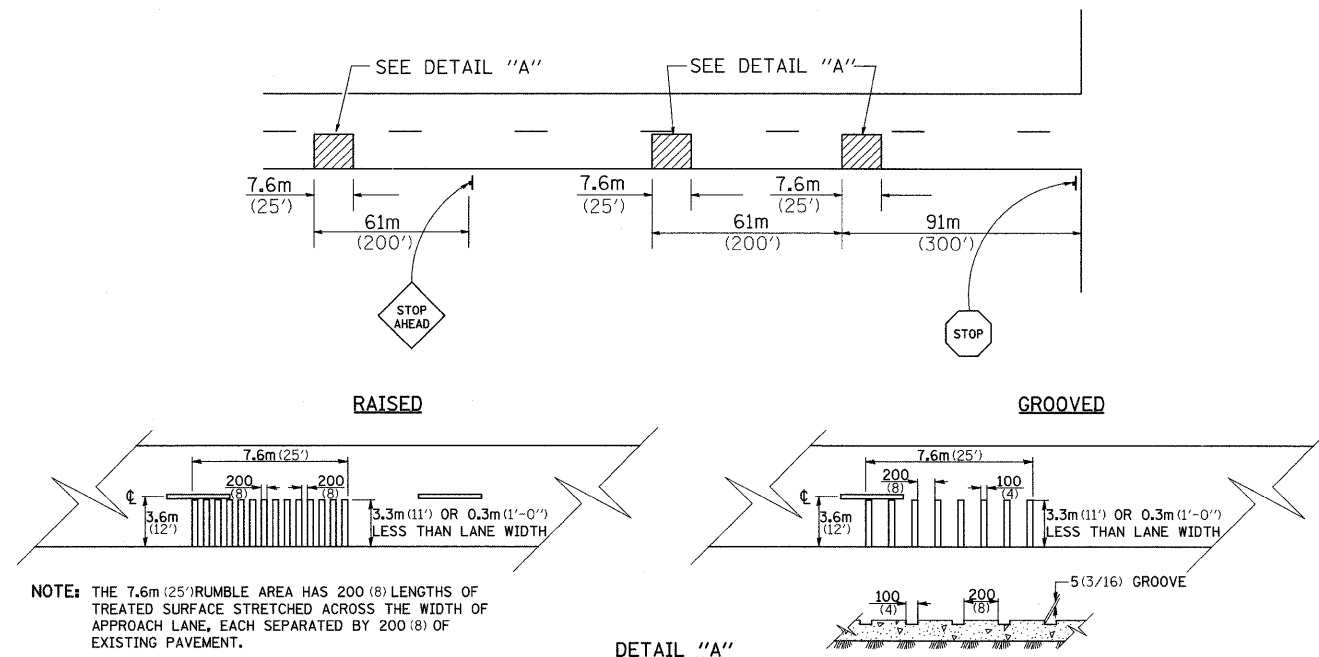
STATION	STRUCTURE NO.

ALL DIMENSIONS ARE IN MILLIMETERS (INCHES) UNLESS OTHERWISE NOTED.

REVISED - 11-01-07

LETTERING FOR NAME PLATE 89.4

RUMBLE RESURFACING



NOTE: THE 7.6m (25') RUMBLE AREA HAS 200 (8) LENGTHS OF TREATED SURFACE STRETCHED ACROSS THE WIDTH OF APPROACH LANE, EACH SEPARATED BY 200 (8) OF EXISTING PAVEMENT.

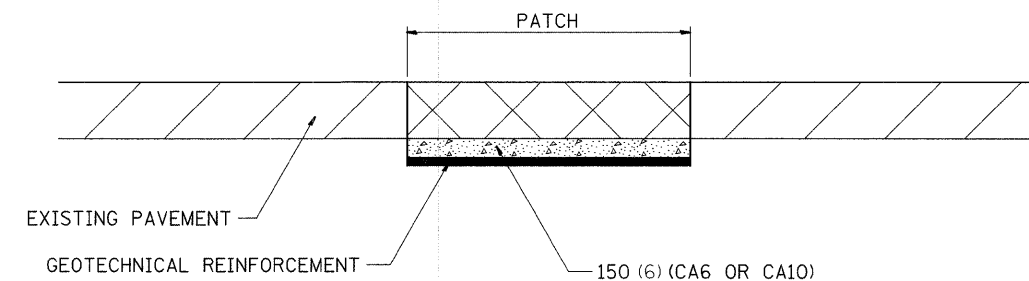
DETAIL "A"

ALL DIMENSIONS ARE IN MILLIMETERS (INCHES) UNLESS OTHERWISE NOTED.

REVISED - 2-16-88

RUMBLE RESURFACING 91.4

SUBGRADE REPLACEMENT



NOTES:

THE CA 6 OR CA 10 SHALL BE COMPACTED IN A MANNER APPROVED BY THE ENGINEER. IF THE MOISTURE CONTENT OF THE MATERIAL IS SUCH THAT COMPACTION SATISFACTORY TO THE ENGINEER CANNOT BE OBTAINED, SUFFICIENT WATER SHALL BE ADDED SO THAT SATISFACTORY COMPACTION CAN BE OBTAINED.

THE CA 6 OR CA 10 WILL BE PAID FOR AT THE CONTRACT UNIT PRICE PER CU YD FOR GRANULAR SUBGRADE REPLACEMENT

THE GEOTECHNICAL REINFORCEMENT WILL BE PAID FOR AT THE CONTRACT UNIT PRICE PER SQ YD FOR GEOTECHNICAL REINFORCEMENT

ALL DIMENSIONS ARE IN MILLIMETERS (INCHES) UNLESS OTHERWISE NOTED.

REVISED - 1-09-08	REGION 2 / DISTRICT 2 STANDARD	F.A.P. RTE.	SECTION	COUNTY	TOTAL SHEETS	SHEET NO.
REVISED -		654	(107, 108, 109)RS-4	STEPHENSON	89	70
REVISED -		CONTRACT NO. 64C91				
REVISED -		FED. ROAD DIST. NO. ILLINOIS FED. AID PROJECT				
REVISED -	SCALE: 50.0000' / IN	SHEET NO.	OF SHEETS	STA.	TO STA.	

PLOT DATE = Wed Sep 24 08:55:09 2008

SUBGRADE REPLACEMENT 97.4

STOP LINE SIGN FOR TEMPORARY SIGNALS



SIZE: 600(24) x 600(24)
 100(4) CAPITAL LETTERS - BLACK
 13 (1/2) BORDER - BLACK
 WHITE REFLECTIVE - TYPE AP
 HIGH INTENSITY PRISMATIC SHEETING

GENERAL NOTE:

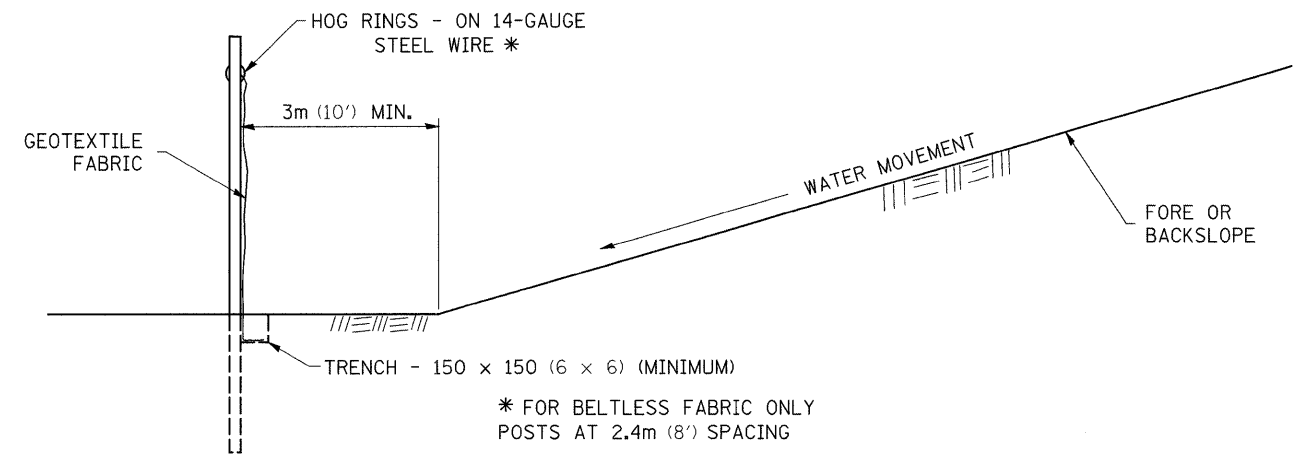
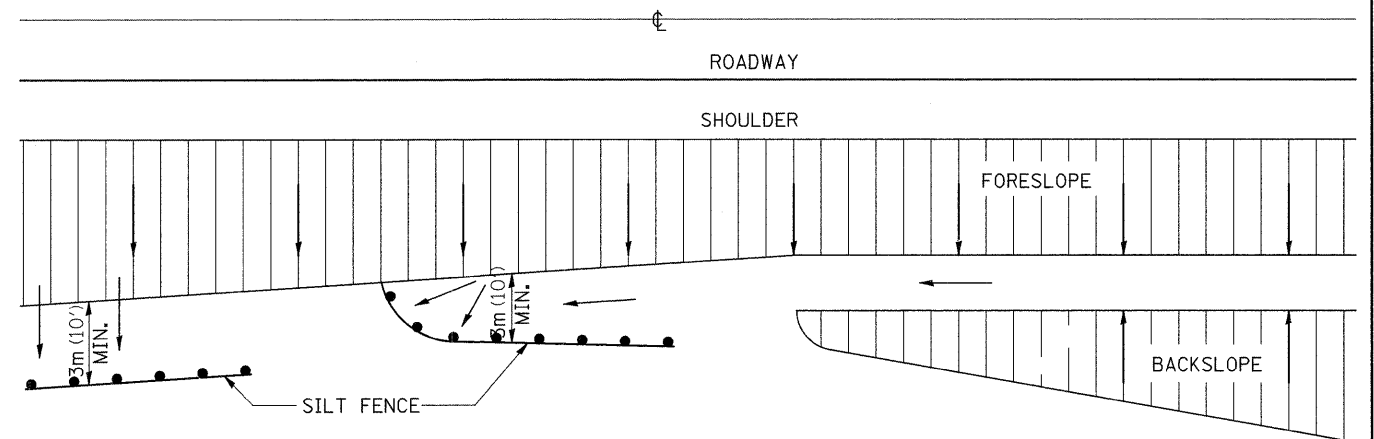
THIS SIGN SHALL BE INSTALLED AT THE STOP LINE AS DIRECTED BY ENGINEER.

ALL DIMENSIONS ARE IN MILLIMETERS (INCHES) UNLESS OTHERWISE NOTED.

REVISED - 1-22-07

STOP LINE SIGN FOR TEMPORARY SIGNALS 99.4

EROSION CONTROL DETAILS FOR SILT FENCE



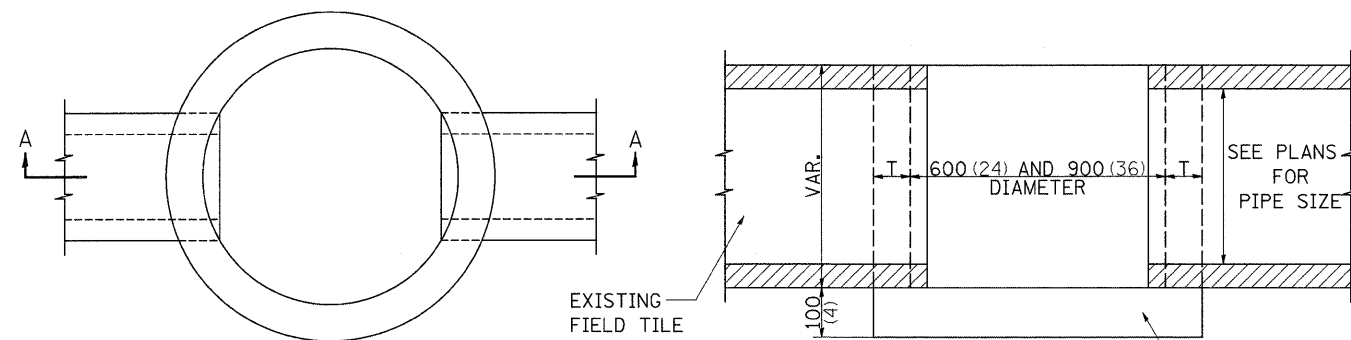
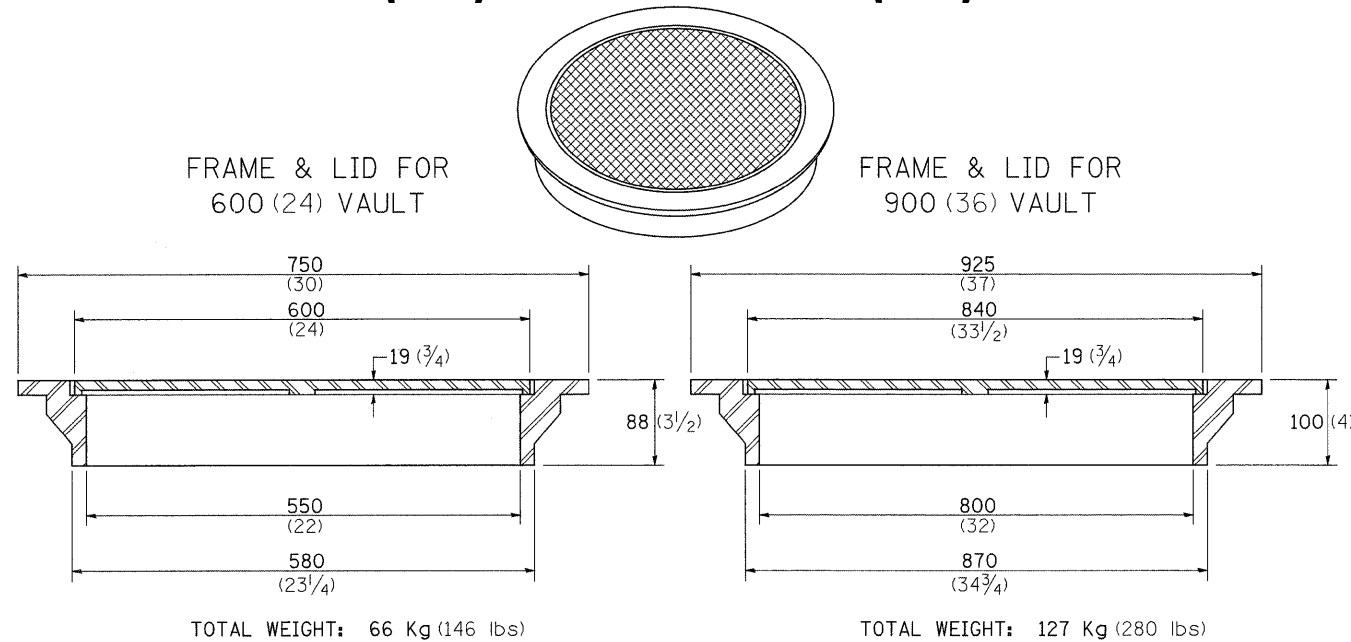
DETAILS OF SILT FENCE

ALL DIMENSIONS ARE IN MILLIMETERS (INCHES) UNLESS OTHERWISE NOTED.

REVISED - 10-22-01	REGION 2 / DISTRICT 2 STANDARD	F.A.P. RTE.	SECTION	COUNTY	TOTAL SHEETS	SHEET NO.
REVISED -		654	(107, 108, 109)RS-4	STEPHENSON	89	71
REVISED -		CONTRACT NO. 64C91				
REVISED -		SCALE: 50:0000 / IN SHEET NO. OF SHEETS STA. TO STA.		FED. ROAD DIST. NO. ILLINOIS FED. AID PROJECT		

PLOT DATE = Wed Sep 24 08:55:23 2008

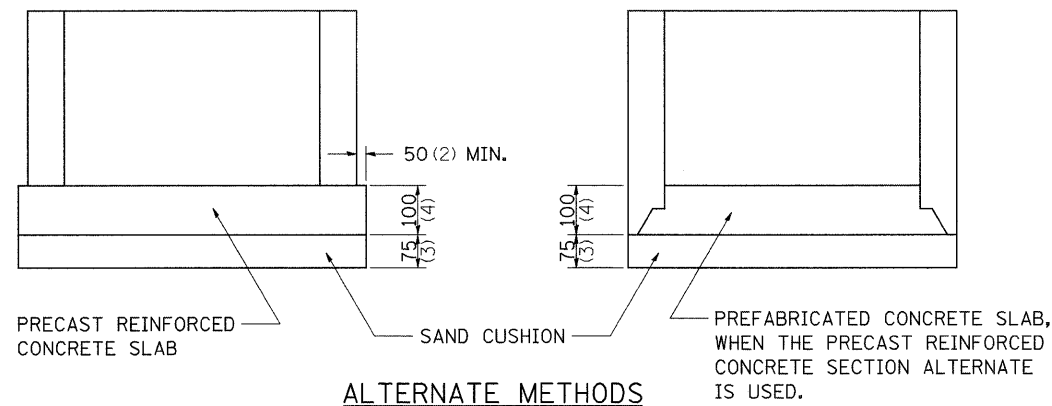
FIELD TILE JUNCTION VAULTS 600 (24) AND 900 (36) DIA.



ALTERNATE MATERIALS FOR WALLS	T
BRICK MASONRY	200 (8)
CAST-IN-PLACE CONCRETE	150 (6)
CONCRETE MASONRY UNIT	125 (5)
PRECAST REINFORCED CONCRETE SECTION	75 (3)

NOTE: THE FRAME AND LID IS REQUIRED ON ALL JUNCTION VAULTS.

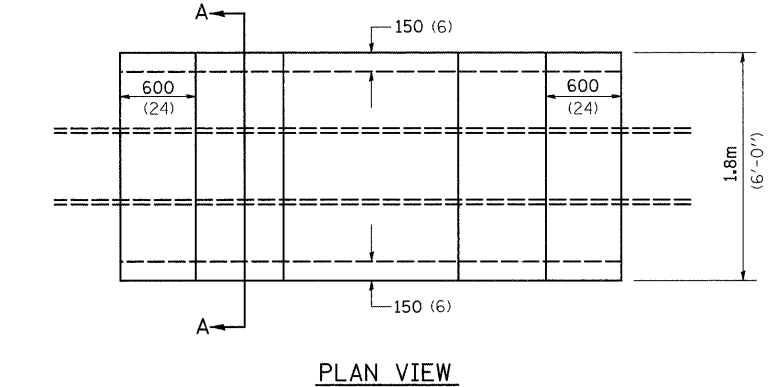
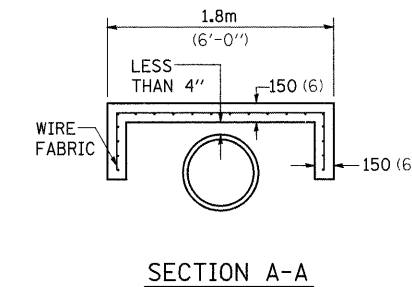
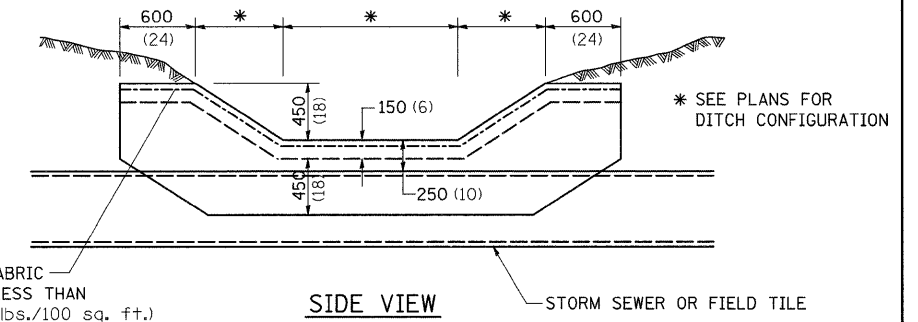
ALL DIMENSIONS ARE IN MILLIMETERS (INCHES) UNLESS OTHERWISE NOTED.



REVISED - 5-03-94

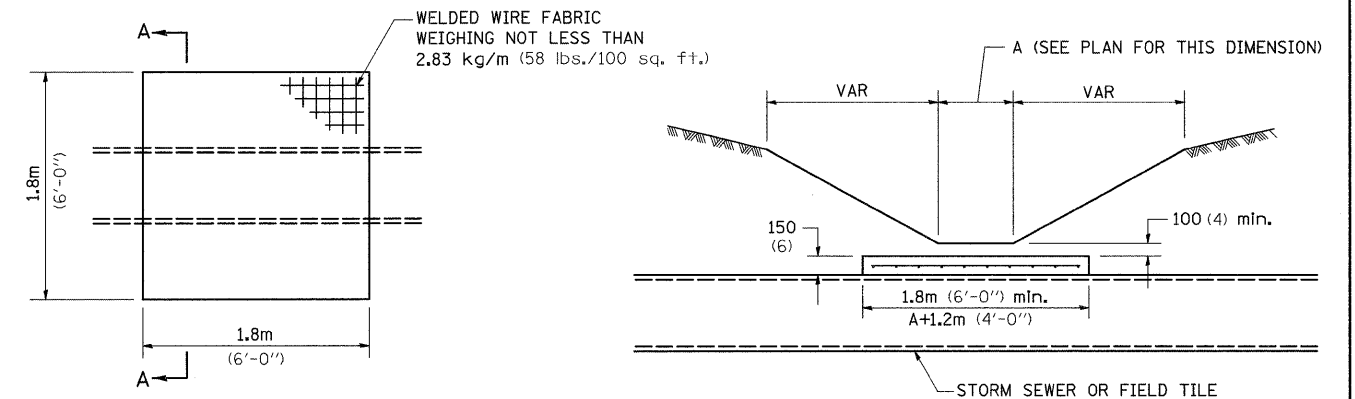
TREATMENT OF FIELD TILE SYSTEMS UNDER DITCHES

PAVED DITCH
TO BE USED IF COVER OVER THE PIPE AT THE BOTTOM OF THE DITCH IS LESS THAN 250mm (10 inches)



CONCRETE SLAB

TO BE USED IF COVER OVER THE PIPE AT THE BOTTOM OF THE DITCH IS 250mm (10 inches) TO 600mm (24 inches)



NOTES

THIS WORK SHALL BE DONE IN ACCORDANCE WITH ARTICLE 611.04 OF THE STANDARD SPECIFICATION.

THE CONCRETE SLAB AND PAVED DITCH WILL BE PAID FOR AT THE CONCRETE UNIT PRICE PER CUBIC METER (CUBIC YARD) FOR MISCELLANEOUS CONCRETE.

ALL DIMENSIONS ARE IN MILLIMETERS (INCHES) UNLESS OTHERWISE NOTED.

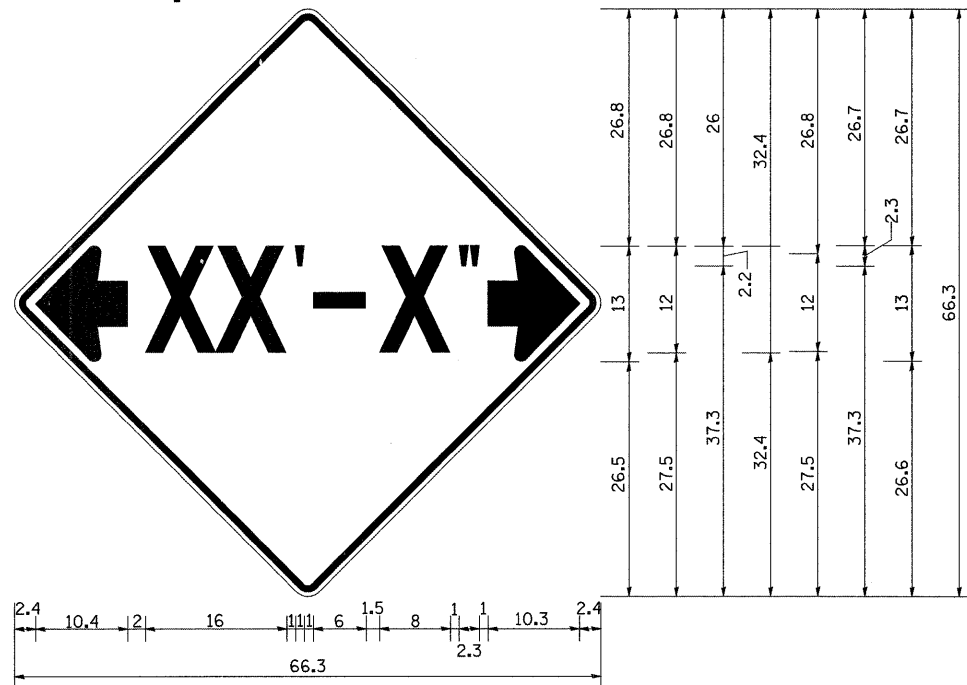
REVISED	DATE	DESCRIPTION	F.A.P. RTE.	SECTION	COUNTY	TOTAL SHEETS	SHEET NO.
REVISED	10-15-04		654	(107, 108, 109)RS-4	STEPHENSON	89	72
REVISED							
REVISED							
REVISED							

REGION 2 / DISTRICT 2 STANDARD

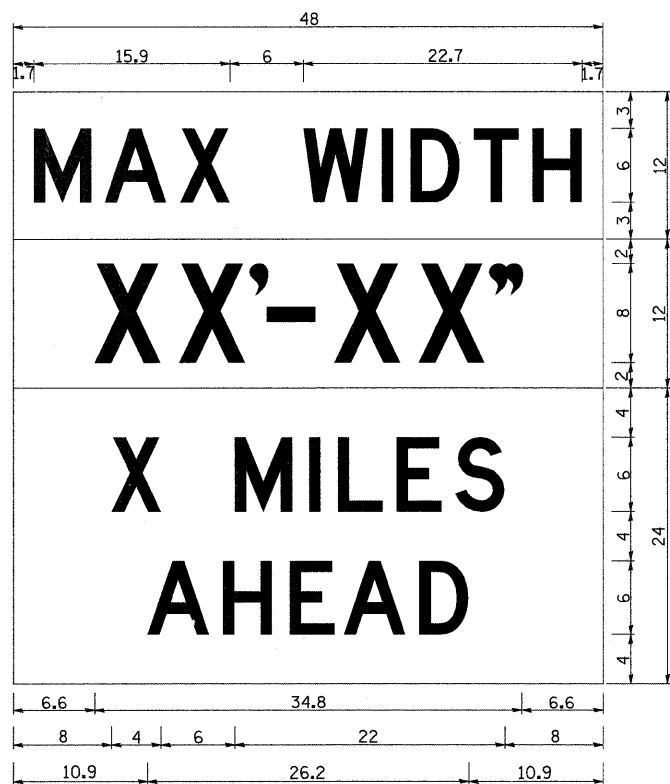
SCALE: 50,000 / IN SHEET NO. OF SHEETS STA. TO STA.

FED. ROAD DIST. NO. ILLINOIS FED. AID PROJECT CONTRACT NO. 64C91

INFORMATIONAL WARNING SIGN (FOR NARROW TRAVEL LANES)



NOTES
 W12-2 - Horizontal Clearance Sign
 48.0" across sides, 1.9" Radius,
 0.8" Border, 0.5" Indent, Black on
 Orange; Standard Arrow Custom
 10.4" X 8.1" 180° Black 11 Inch
 D Series Lettering; Standard Arrow
 Custom 10.4" X 8.1" 0°



W12-I103 (Width is 80);
 No border, Black on White;
 [MAX WIDTH] D;

No border, Black on Orange;
 [XX'-XX"] D;

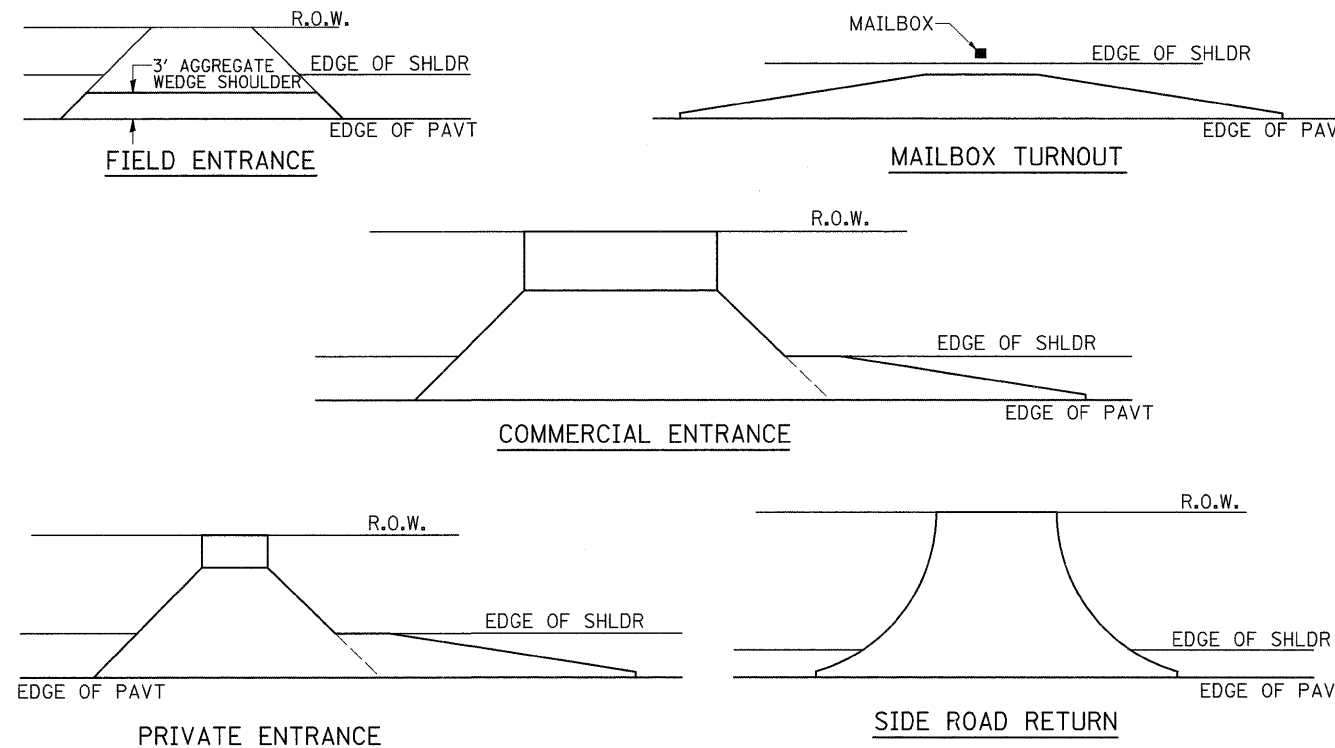
No border, Black on White;
 [X MILES] D; [AHEAD] D;

All work to furnish and install these signs shall be included in the cost of the Traffic Control Standards and shall not be paid for separately.

ALL DIMENSIONS ARE IN INCHES UNLESS OTHERWISE NOTED.

REVISED - 1-9-08

HOT-MIX ASPHALT APPROACHES & MAILBOX RETURNS FOR TWO LIFT (3P) RESURFACING PROJECTS

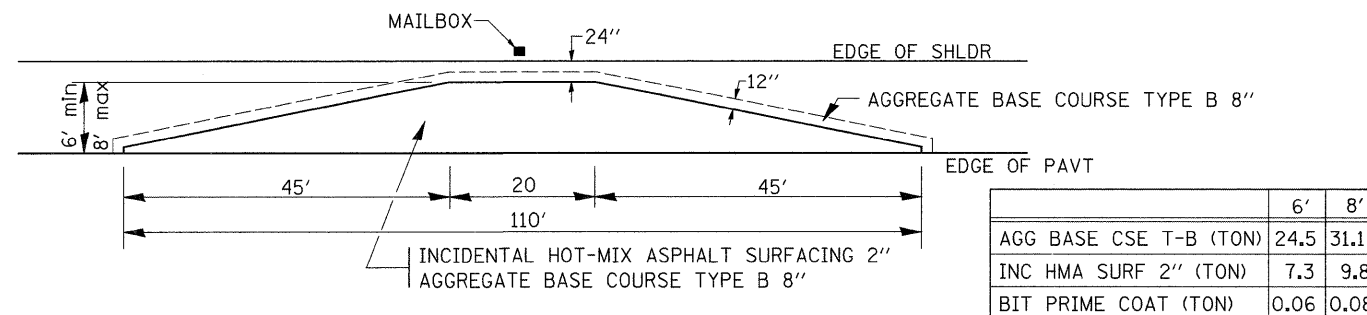


NOTE: EXISTING HMA PE's, CE's, SR's, & MB TURNOUTS
 Place 2 1/4 " Incidental Hot-Mix Asphalt Surfacing #40800050 on entrance to conform to the existing configuration.

EXISTING AGG. PE's & CE's
 Place 2" Incidental Hot-Mix Asphalt Surfacing #40800050 on existing entrance to conform to the present configuration.

EXISTING AGG. SIDEROADS
 Place 3" Incidental Hot-Mix Asphalt Surfacing #40800050 on sideroad to conform to the present configuration.

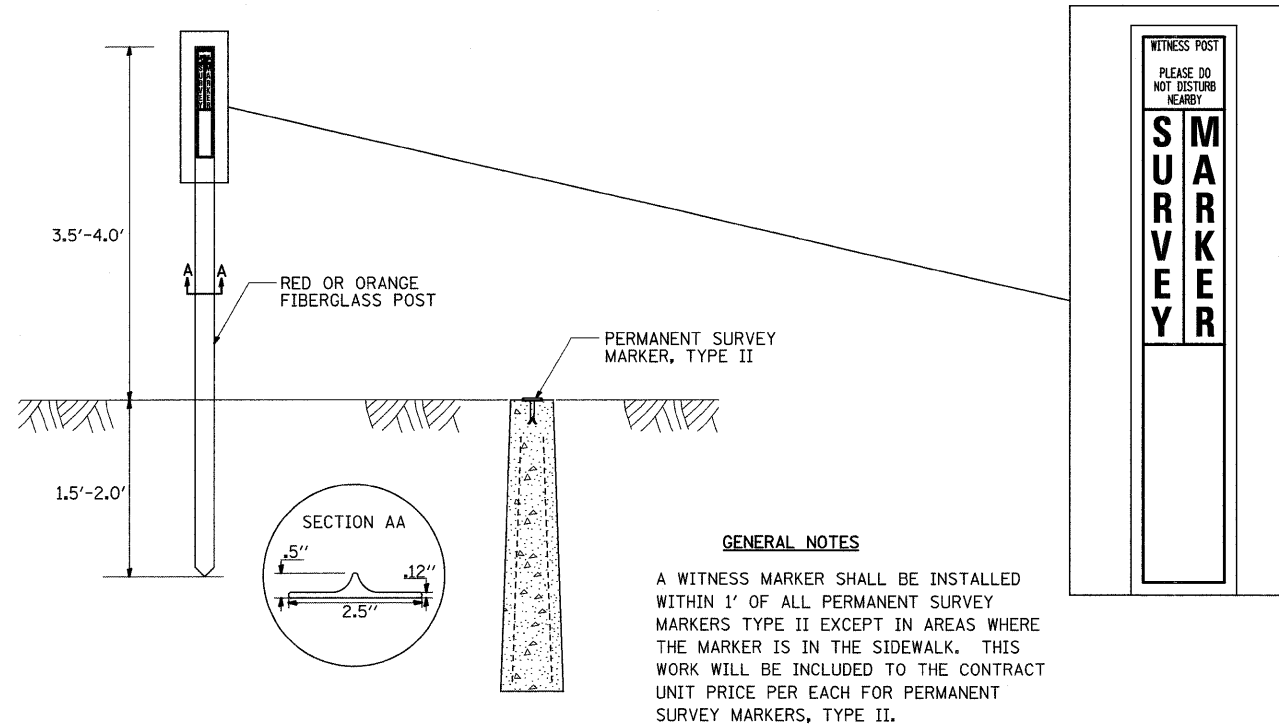
EXISTING AGG. MAILBOX TURNOUTS
 Existing Agg. Mailbox Turnouts shall be constructed as shown below.



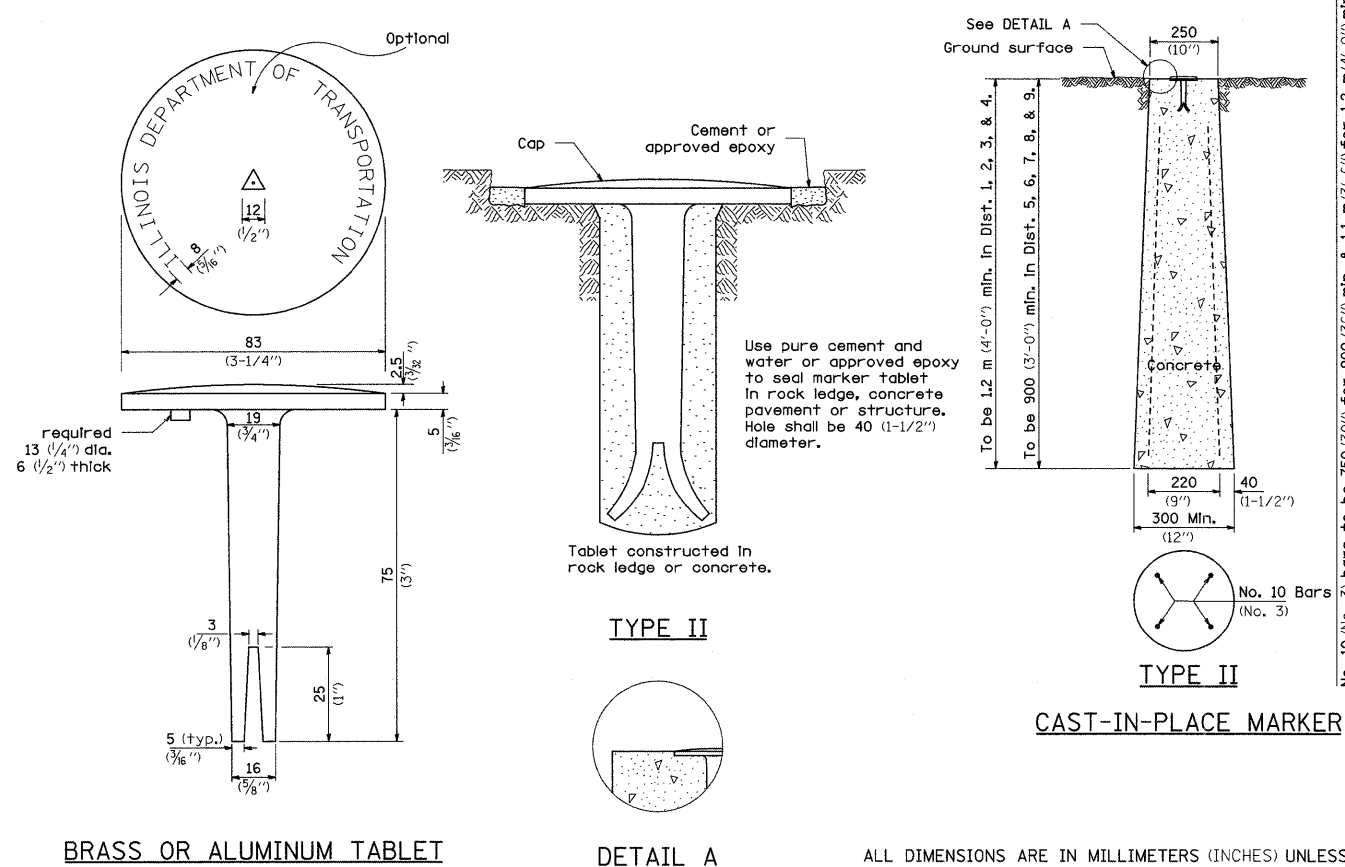
	6'	8'
AGG BASE CSE T-B (TON)	24.5	31.1
INC HMA SURF 2" (TON)	7.3	9.8
BIT PRIME COAT (TON)	0.06	0.08

REVISED - 2-1-08	REGION 2 / DISTRICT 2 STANDARD				F.A.P. RTE.	SECTION	COUNTY	TOTAL SHEETS	SHEET NO.
REVISED -					654	(107, 108, 109)RS-4	STEPHENSON	89	73
REVISED -					CONTRACT NO. 64C91				
REVISED -					SCALE: 50.0000' / IN SHEET NO. OF SHEETS STA. TO STA.				
					FED. ROAD DIST. NO. ILLINOIS FED. AID PROJECT				

WITNESS MARKER FOR PERMANENT SURVEY MARKERS, TYPE II



PERMANENT SURVEY MARKERS, TYPE II

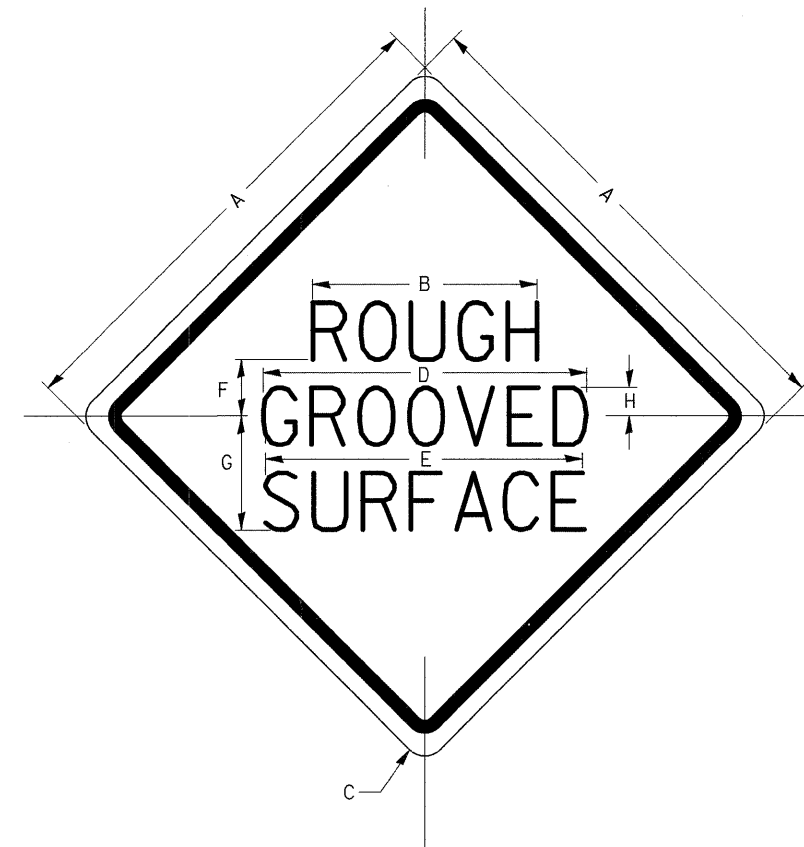


REVISD - 6-26-06

ROUGH GROOVED SURFACE SIGN

ILLINOIS STANDARD W8-1107

SIGN PANEL TYPE 1



COLOR: LEGEND AND BORDER - BLACK NON-REFLECTIVE
BACKGROUND - ORANGE REFLECTORIZED

SIGN SIZE	DIMENSIONS							
	A	B	C	D	E	F	G	H
1200x1200 (48x48)	1200 (48.0)	600 (24.1)	75 (3.0)	850 (34.0)	825 (33.0)	150 (6.0)	325 (13.0)	88 (3.5)

SIGN SIZE	SERIES LINES			MARGIN	BORDER	BLANK STD.
	1	2	3			
1200x1200 (48x48)	7C	7C	7C	20 (0.8)	30 (1.2)	B4-48D

ALL DIMENSIONS IN INCHES.

GENERAL NOTES

SIGN PANELS AND FACE MATERIALS SHALL BE ACCORDING TO SECTION 720 OF THE STANDARD SPECIFICATIONS
METAL POSTS SHALL BE IN ACCORDANCE WITH STD. 720011.

ALL MOUNTING HARDWARE SHALL BE ALUMINUM, STAINLESS STEEL, ZINC OR CADMIUM PLATED STEEL AND SHALL BE INCLUDED TO THE COST OF THE INSTALLATION.

ALL DIMENSIONS ARE IN MILLIMETERS (INCHES) UNLESS OTHERWISE NOTED.

REVISD - 1-09-08	REGION 2 / DISTRICT 2 STANDARD				F.A.P. RTE.	SECTION	COUNTY	TOTAL SHEETS	SHEET NO.
REVISD -					654	(107, 108, 109)RS-4	STEPHENSON	89	74
REVISD -					CONTRACT NO. 64C91				
REVISD -	SCALE: 50.0000' / IN SHEET NO. OF SHEETS STA. TO STA.				FED. ROAD DIST. NO. ILLINOIS FED. AID PROJECT				

STORM WATER POLLUTION PREVENTION PLAN

EROSION CONTROL PLAN

THE FOLLOWING PLAN WAS ESTABLISHED AND INCLUDED IN THESE PLANS TO DIRECT THE CONTRACTOR IN THE PLACEMENT OF TEMPORARY EROSION CONTROL SYSTEMS AND TO PROVIDE A STORM WATER POLLUTION PREVENTION PLAN FOR COMPLIANCE UNDER NPDES.

THE PURPOSE OF THIS PLAN IS TO MINIMIZE SILTATION WITHIN THE CONSTRUCTION ZONE AND TO ELIMINATE SEDIMENTS FROM ENTERING AND LEAVING THE CONSTRUCTION ZONE BY UTILIZING PROPER TEMPORARY EROSION CONTROL SYSTEMS AND PROVIDING GROUND COVER WITHIN A REASONABLE AMOUNT OF TIME.

CERTAIN ITEMS, AS SHOWN IN THIS PLAN AND REFERENCED BY THE LEGEND, SHALL BE PLACED BY THE CONTRACTOR AT THE BEGINNING OF CONSTRUCTION. OTHER ITEMS SHALL BE PLACED BY THE CONTRACTOR AS DIRECTED BY THE ENGINEER ON A CASE BY CASE SITUATION RESULTING FROM THE CONTRACTOR'S SEQUENCE OF ACTIVITIES, TIME OF YEAR, AND EXPECTED WEATHER CONDITIONS.

THE CONTRACTOR SHALL PLACE PERMANENT EROSION CONTROL SYSTEMS AND SEEDING WITHIN A REASONABLE AMOUNT OF TIME; THEREFORE, REDUCING THE AMOUNT OF AREA BEING OPEN TO THE POSSIBILITY OF EROSION AND REDUCING THE AMOUNT OF TEMPORARY SEEDING. THE RESIDENT ENGINEER WILL DETERMINE IF TEMPORARY EROSION CONTROL SYSTEMS SHOWN IN THE PLAN CAN BE DELETED, THE SIZE OF THE PROPOSED DITCH CHECKS, THE PROPER METHOD OF INSTALLATION, AND IF ANY ADDITIONAL TEMPORARY EROSION CONTROL SYSTEMS SHALL BE ADDED WHICH ARE NOT INCLUDED IN THE PLANS. THE CONTRACTOR SHALL PERFORM ALL WORK AS DIRECTED BY THE ENGINEER AND AS SHOWN IN STANDARD 280001 OF THE PLANS.

SITE DESCRIPTION

DESCRIPTION OF CONSTRUCTION ACTIVITY:

THIS PROJECT CONSISTS OF REMOVING THE CULVERT AT STA. 481+04 AND REMOVING & REPLACING THE CULVERT AT STA. 486+64. NEW DITCHES AND CHANNEL REALIGNMENT WILL ALSO BE DONE.

DESCRIPTION OF INTENDED SEQUENCE OF ACTIVITIES:

THE SEQUENCE OF EVENTS ARE AS FOLLOW: CLEARING, EMBANKMENT, EXCAVATION, GRADING AND PAVING. THIS PROJECT WILL BE CONSTRUCTED IN SEGMENTS AS SHOWN IN THE "STAGING PLANS".

TOTAL CONSTRUCTION SITE (CONSTRUCTION LIMIT TO CONSTRUCTION LIMIT) 2.3 ACRES
 PROPOSED R.O.W (TOTAL PARCEL AREA) 1.02 ACRES
 DISTURBED BY EXCAVATION (E.O.P TO CONSTRUCTION LIMIT) 1.6 ACRES

SUPPORTING REPORTS AND PLANS

THE FOLLOWING ASSISTED IN DEVELOPING THE EROSION CONTROL PLAN AS REFERENCED DOCUMENTS:

SOIL PROFILE SHEETS, SOILS REPORTS, BORING LOGS
 USGS DRAINAGE MAPS, PROJECT PLAN DOCUMENTS

DRAINAGE TRIBUTARIES RECEIVING WATER FROM CONSTRUCTION SITE

YELLOW CREEK

EROSION CONTROLS AND SEDIMENT CONTROL PROCEDURES

STABILIZATION PRACTICES AT THE BEGINNING OF CONSTRUCTION:

PERIMETER EROSION CONTROL SHALL BE PLACED PRIOR TO BEGINNING EARTHWORK.

STABILIZATION PRACTICES DURING CONSTRUCTION:

AS EARTH EXCAVATION AND EMBANKMENT ARE BEING COMPLETED THE CONTRACTOR SHALL PLACE DITCH CHECKS, INLET AND PIPE PROTECTION, EROSION CONTROL BLANKET, AND SEEDING AS STAGES OF THE PROJECT ARE COMPLETED. PERIMETER EROSION BARRIER WILL BE INSTALLED AT ADDITIONAL LOCATIONS AS THE PROJECT PROGRESSES. SEEDING SHALL BE COMPLETED AS SPECIFIED IN THE EROSION CONTROL AND TEMPORARY SEEDING SPECIAL PROVISION.

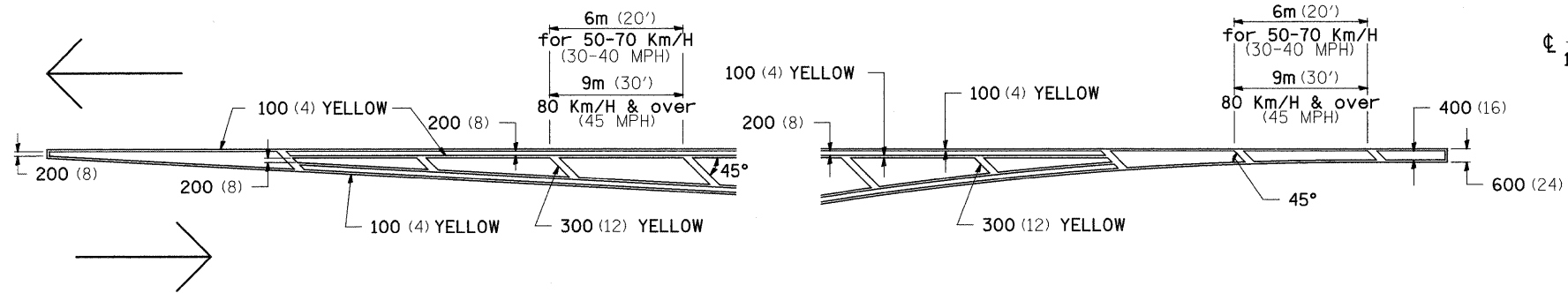
MAINTENANCE AFTER FINAL GRADING

TEMPORARY EROSION CONTROL SYSTEMS SHALL BE LEFT IN PLACE WITH PROPER MAINTENANCE UNTIL PERMANENT EROSION CONTROL IS IN PLACE AND WORKING PROPERLY AND ALL PROPOSED TURF AREAS SEEDED AND ESTABLISHED WITH THE PROPER STAND. ONCE PERMANENT EROSION CONTROL SYSTEMS AS PROPOSED IN THE PLANS ARE FUNCTIONAL AND ESTABLISHED, TEMPORARY ITEMS SHALL BE REMOVED, CLEANED UP AND DISTURBED TURF RESEEDED.

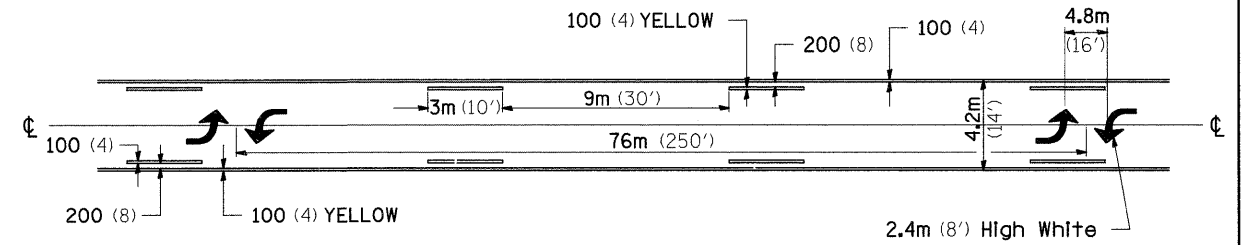
FILE NAME =	USER NAME = dssdd	DESIGNED -	REVISED - 5-12-04	STATE OF ILLINOIS DEPARTMENT OF TRANSPORTATION	REGION 2 / DISTRICT 2 STANDARD			F.A.P. RTE.	SECTION	COUNTY	TOTAL SHEETS	SHEET NO.
es:\pw_work\PWIDOT\DOSSDD\dms33571\d02977spl.dgn		DRAWN -	REVISED -		654	(107, 108, 109)RS-4	STEPHENSON	89	75			
PLOT SCALE = 50.0000' / IN.		CHECKED -	REVISED -		CONTRACT NO. 64C91							
PLOT DATE = Wed Sep 24 08:56:34 2008		DATE -	REVISED -		SCALE:	SHEET NO.	OF SHEETS	STA.	TO STA.	FED. ROAD DIST. NO.	ILLINOIS FED. AID PROJECT	

TYPICAL PAVEMENT MARKINGS

TYPICAL PAVEMENT MARKING FOR FLUSH MEDIAN AT LEFT TURN LANE

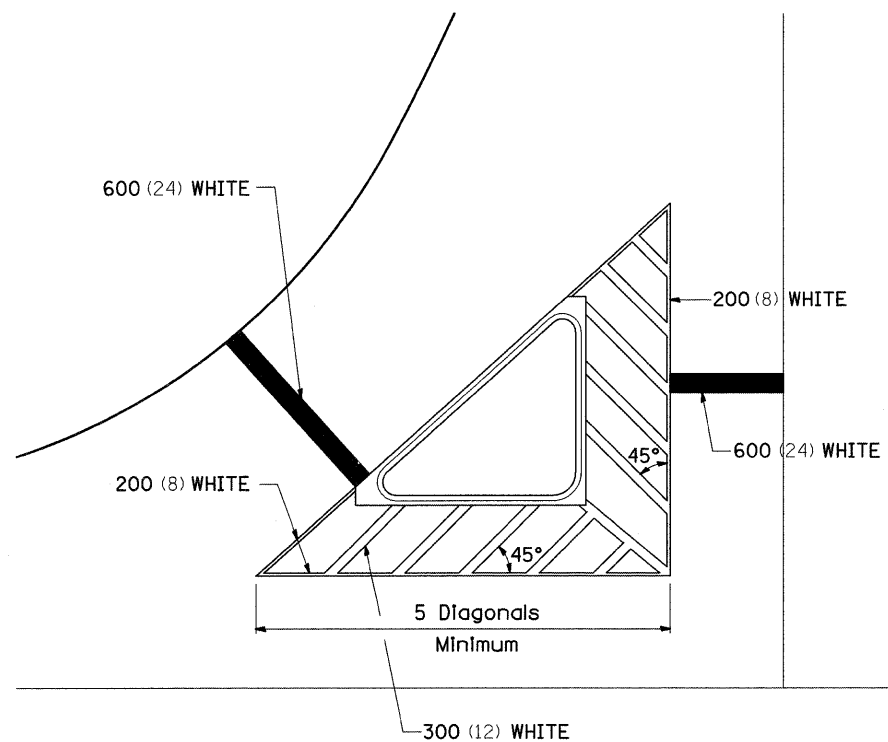


MEDIAN PAVEMENT MARKING

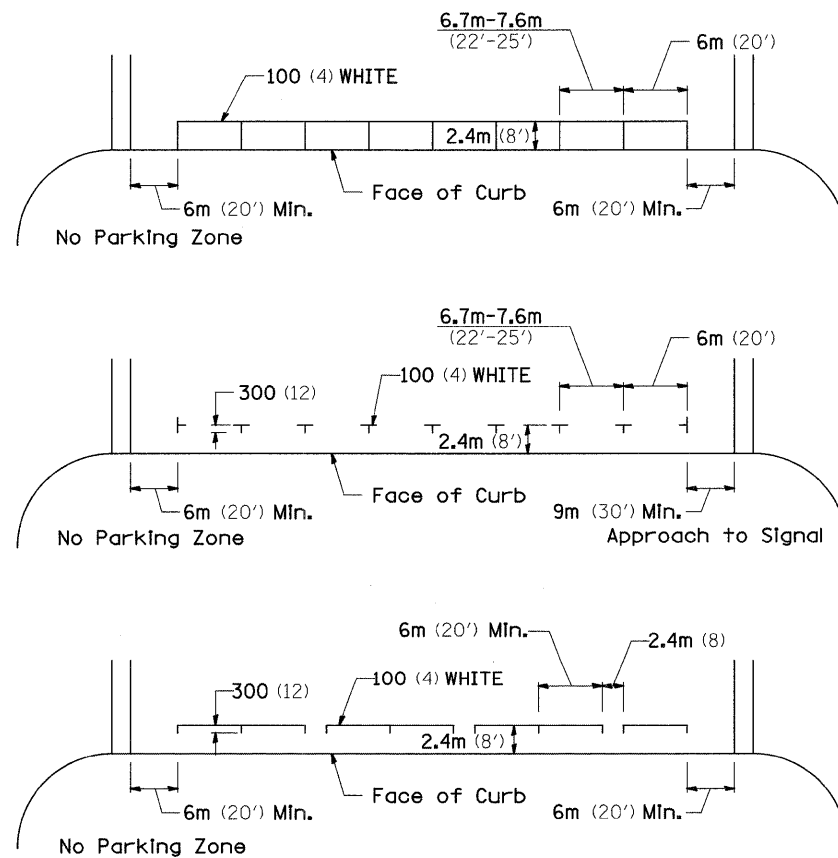


** ALL DIMENSIONS ARE IN MILLIMETERS (INCHES) UNLESS OTHERWISE NOTED.

TYPICAL ISLAND OFFSET SHOULDER WIDTH

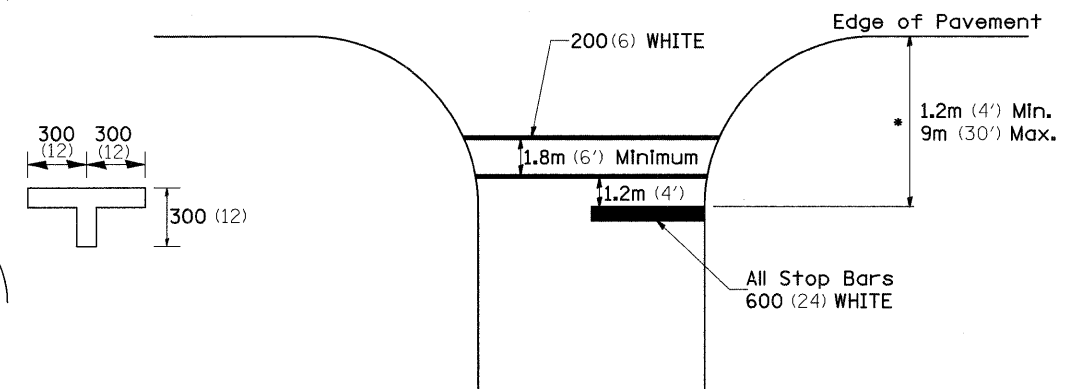


TYPICAL PARKING SPACING



STANDARD CROSSWALK MARKING

See Schedules for Locations

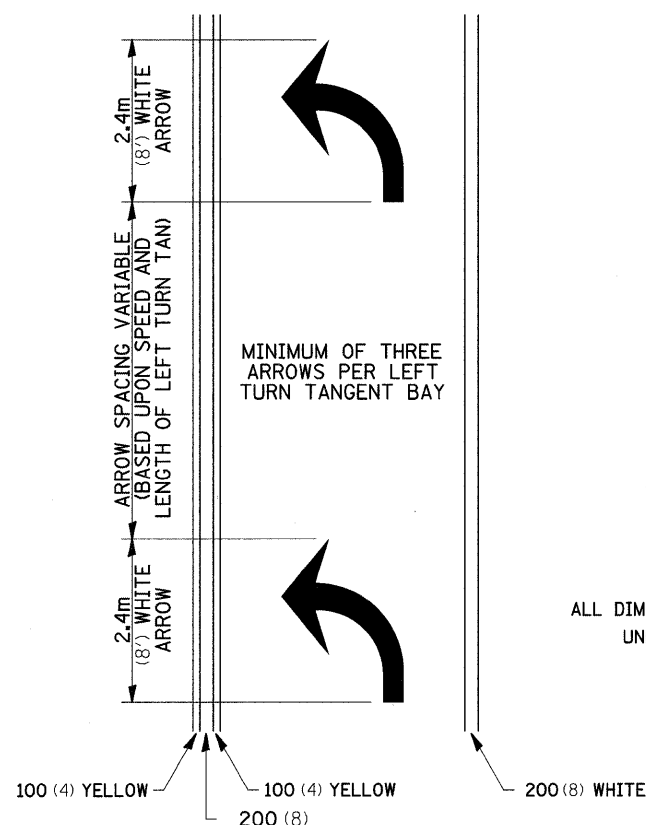


* Distance to the nearest edge of the intersecting roadway in the absence of a marked crosswalk.

FILE NAME =	USER NAME = dossed	DESIGNED -	REVISED - 1-11-08	STATE OF ILLINOIS DEPARTMENT OF TRANSPORTATION	REGION 2 / DISTRICT 2 STANDARD			F.A.P. RTE.	SECTION	COUNTY	TOTAL SHEETS	SHEET NO.
ct:\pwwork\VPWIDOT\DOSSDD\dms33571\d02977.sp1.dgn	7sp1.dgn	DRAWN -	REVISED -					654	(107, 108, 109)RS-4	STEPHENSON	89	76
PLOT SCALE = 50.0000' / IN.	CHECKED -	REVISED -	REVISED -					CONTRACT NO. 64C91				
PLOT DATE = Wed Sep 24 08:56:58 2008	DATE -	REVISED -	REVISED -					FED. ROAD DIST. NO. ILLINOIS FED. AID PROJECT				

TYPICAL PAVEMENT MARKINGS

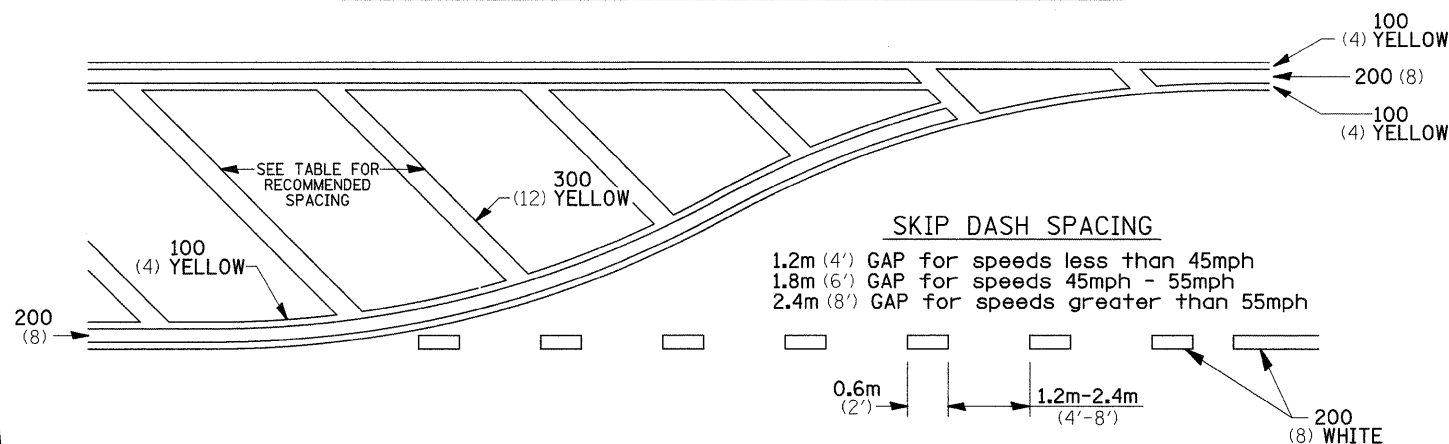
ARROW LAYOUT



ALL DIMENSIONS ARE IN MILLIMETERS (INCHES) UNLESS OTHERWISE NOTED.

12.2m
6 at (40') O.C.
APPROACH SIDE ONLY

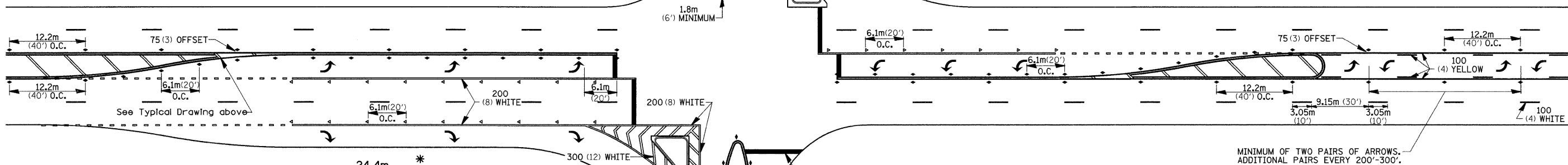
TYPICAL PAVEMENT MARKING FOR FLUSH MEDIAN



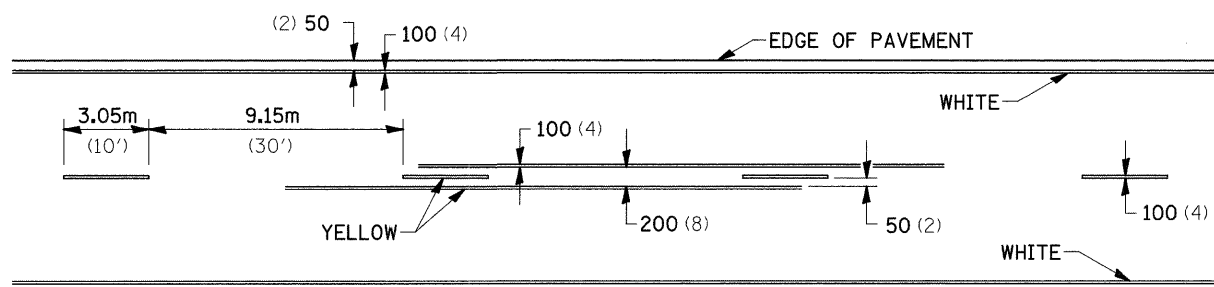
RECOMMENDED SPACING BETWEEN DIAGONALS (IN FEET)

Speed Limit Range	Continuous Median Area	Intersection Channelization	Objects (Islands)
less than 50Km/H (30MPH)	15.3m (50')	4.53m (15')	3.05m (10')
50-60Km/H (30-40MPH)	22.9m (75')	6.1m (20')	4.53m (15')
70Km/H (45MPH) & over	22.9m (75')	9.05m (30')	6.1m (20')

NOTE: If the spacing recommended in the Table does not permit at least five diagonal lines in the area being marked, the spacing from the next lowest speed range should be used. The recommended spacing is measured parallel to the pavement center line.



TYPICAL PAVEMENT MARKING FOR TWO LANE SECTION - NO PASSING ZONES

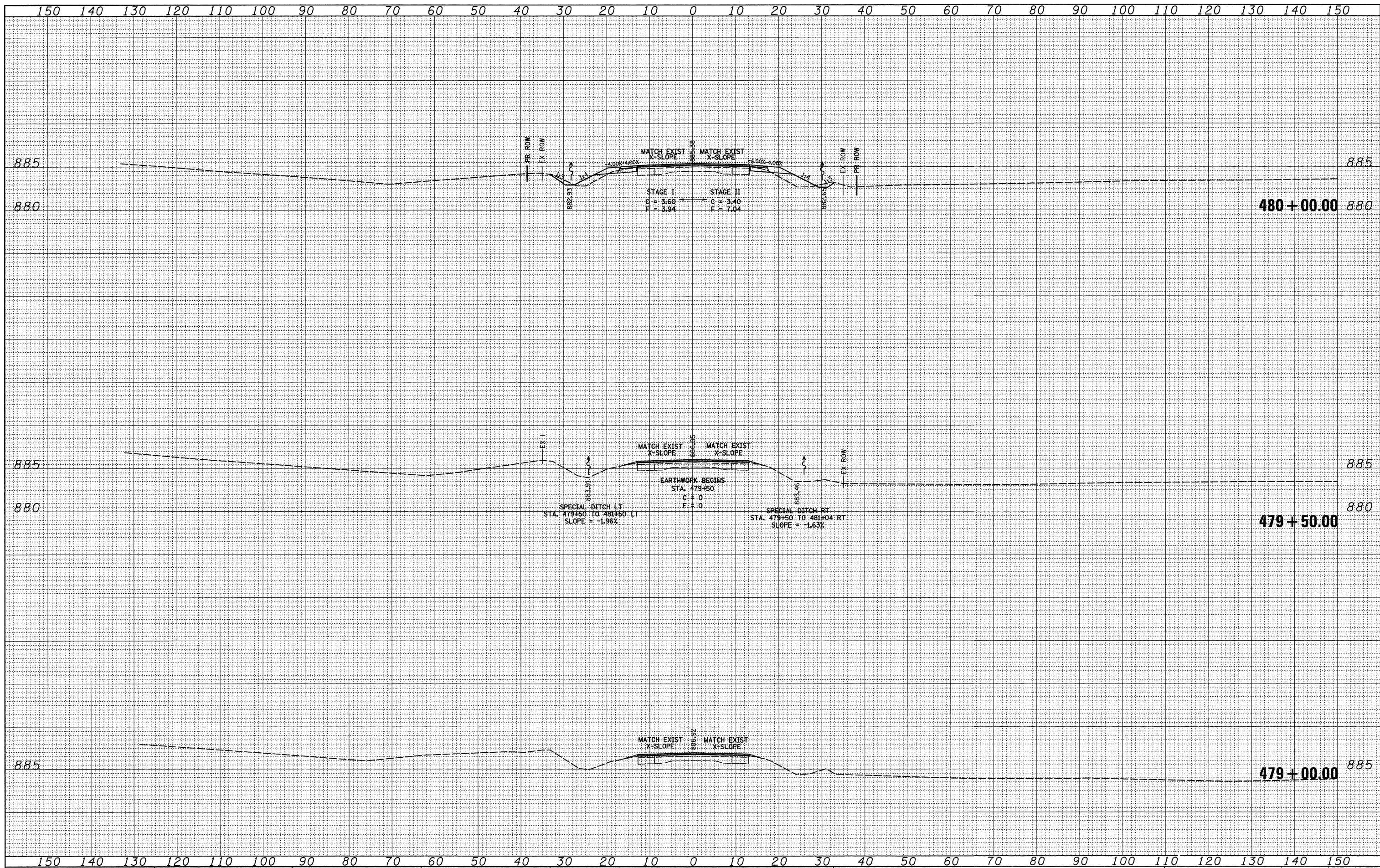


SYMBOLS

- * REDUCE TO 12.2m (40') O.C. ON CURVES WHERE ADVISORY SPEEDS ARE 15Km/H (10MPH) LOWER THAN POSTED SPEEDS.
- ** USE DOUBLE MARKERS WHEN ADT ≥ 25,000

MULTI-LANE / UNDIVIDED

FILE NAME =	USER NAME = dssdd	DESIGNED -	REVISED - 1-11-08	STATE OF ILLINOIS DEPARTMENT OF TRANSPORTATION	REGION 2 / DISTRICT 2 STANDARD				F.A.P. RTE.	SECTION	COUNTY	TOTAL SHEETS	SHEET NO.	
ca:\pw_work\VP\DOT\DOSSDD\dms33571\d82977spl.dgn		DRAWN -	REVISED -		SCALE:	SHEET NO.	OF SHEETS	STA.	TO STA.	654	(107, 108, 109)RS-4	STEPHENSON	89	77
PLOT SCALE = 50.0000' / IN.		CHECKED -	REVISED -											
PLOT DATE = Wed Sep 24 08:57:16 2008		DATE -	REVISED -											
										CONTRACT NO. 64C91				
										FED. ROAD DIST. NO. ILLINOIS FED. AID PROJECT				



DATE	
BY	
FINISHED SURVEY	
SURVEYED	
PLOTTED	
TEMPLATE	
NOTE BOOK	
AREAS CHECKED	
NO.	

DATE	
BY	
ORIGINAL SURVEY	
SURVEYED	
PLOTTED	
TEMPLATE	
NOTE BOOK	
AREAS CHECKED	
NO.	

FILE NAME =
 c:\pw_work\PWIDOT\DOSSDD\dms33573\d02907.xml.dgn

USER NAME = dosadd
 PLOT SCALE = 10.0000' / IN.
 PLOT DATE = Wed Sep 24 09:17:10 2008

DESIGNED -
 DRAWN -
 CHECKED -
 DATE -

REVISED -
 REVISED -
 REVISED -
 REVISED -

**STATE OF ILLINOIS
 DEPARTMENT OF TRANSPORTATION**

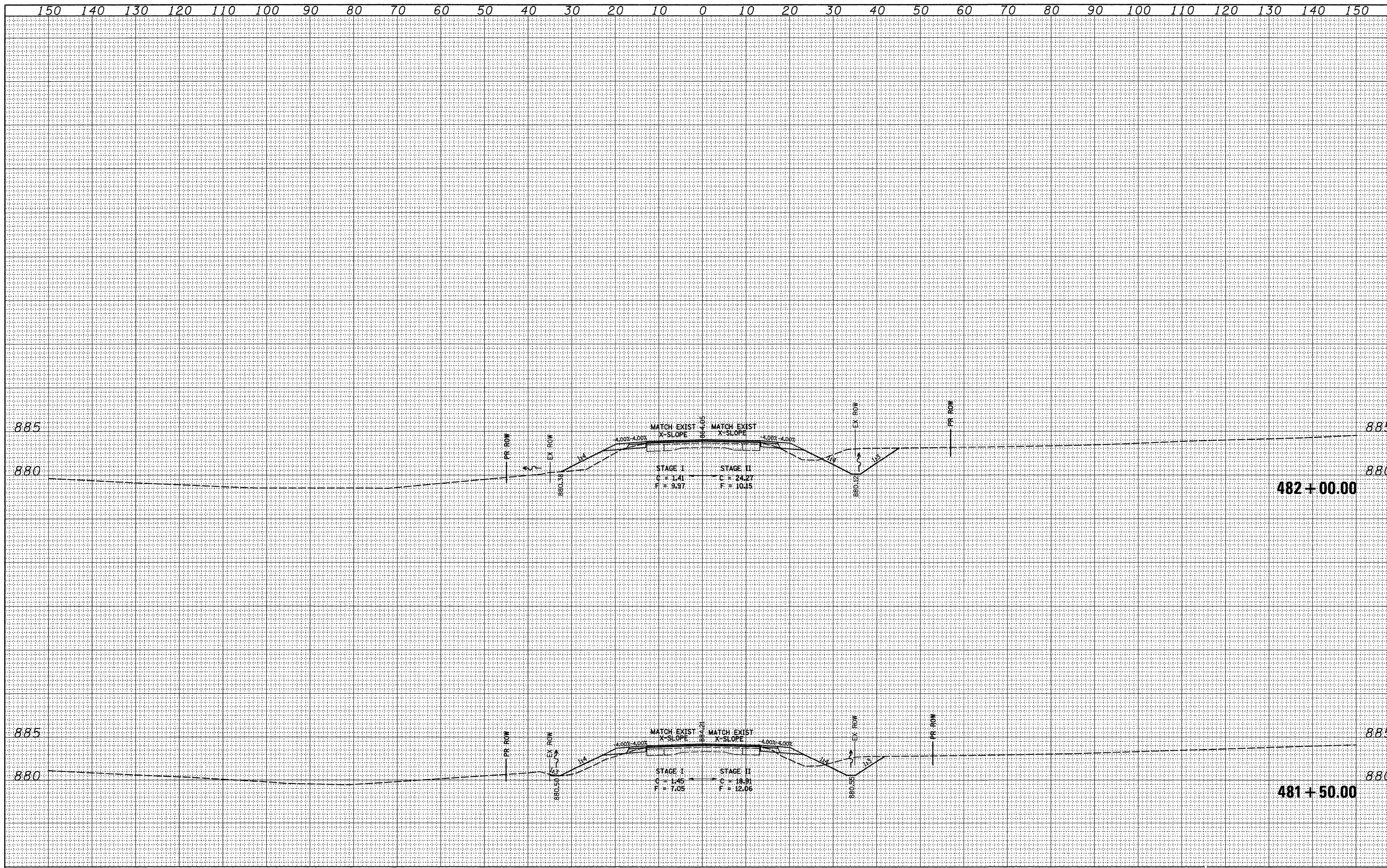
IL 73

SCALE: SHEET NO. OF SHEETS STA. 479+00.00 TO STA. 480+00.00

F.A.P. RTE.	SECTION	COUNTY	TOTAL SHEETS	SHEET NO.
654	(107, 108, 109)RS-4	STEPHENSON	89	78
CONTRACT NO. 64C91				
FED. ROAD DIST. NO. 2 ILLINOIS FED. AID PROJECT				

BY	DATE
SURVEYED	
PLOTTED	
TEMPLATE	
NOTE BOOK	
AREAS CHECKED	
NO.	

BY	DATE
SURVEYED	
PLOTTED	
TEMPLATE	
NOTE BOOK	
AREAS CHECKED	
NO.	



FILE NAME =
 et:\pw_work\K\WIDOT\DOSSDD\dms33573\vd02907.xml.dgn

USER NAME = dossed
 PLOT SCALE = 10.0000' / IN.
 PLOT DATE = Wed Sep 24 09:17:38 2008

DESIGNED -
 DRAWN -
 CHECKED -
 DATE -

REVISED -
 REVISED -
 REVISED -
 REVISED -

**STATE OF ILLINOIS
 DEPARTMENT OF TRANSPORTATION**

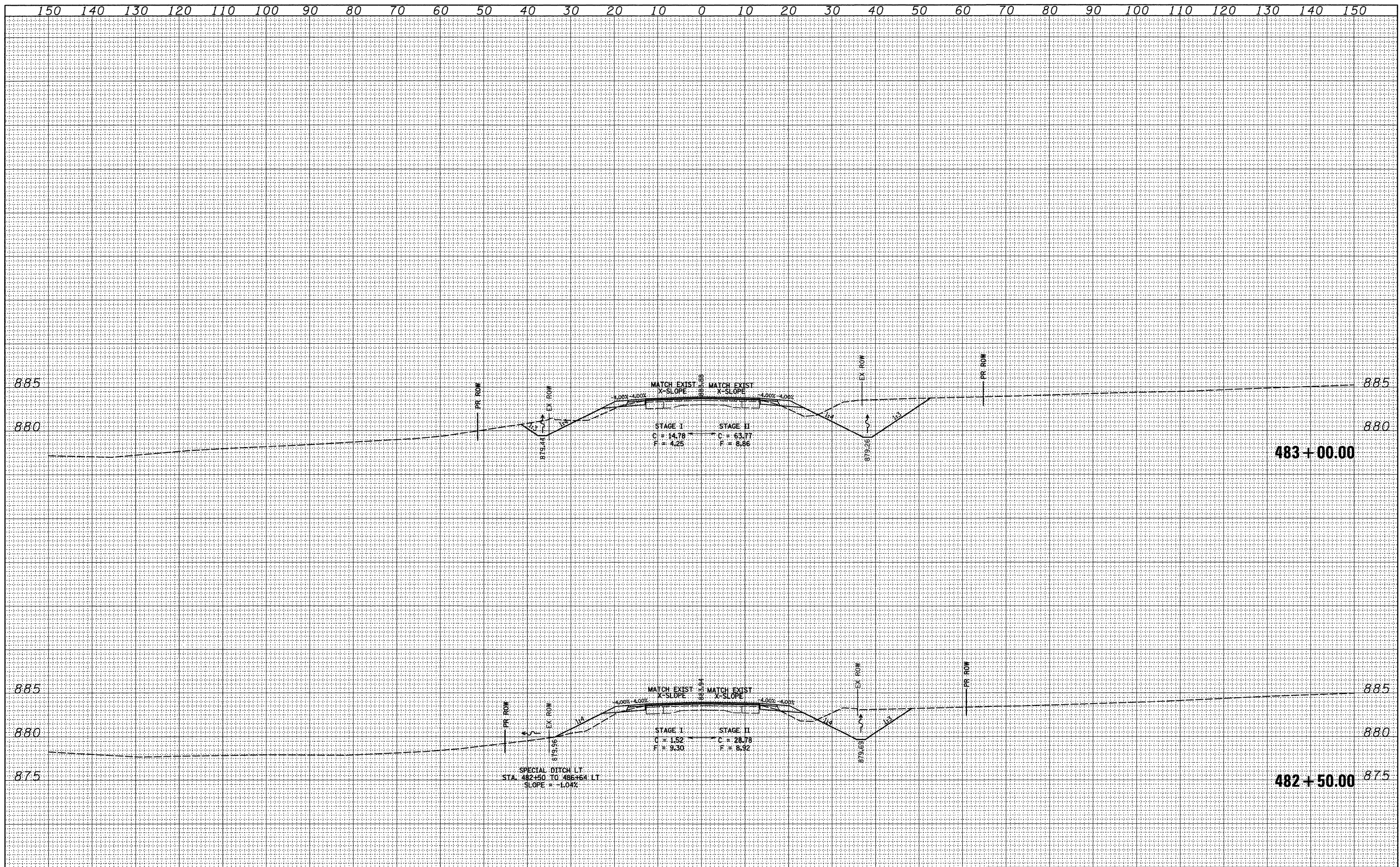
SCALE: SHEET NO. OF SHEETS STA. 481+50.00 TO STA. 482+00.00

IL 73

F.A.P. RTE.	SECTION	COUNTY	TOTAL SHEETS	SHEET NO.
654	(107, 108, 109)RS-4	STEPHENSON	89	80
CONTRACT NO. 64C91				
FED. ROAD DIST. NO. 2 [ILLINOIS] FED. AID PROJECT				

BY	DATE
SURVEYED	
PLOTTED	
TEMPLATE	
NOTE BOOK	
NO.	
AREAS CHECKED	

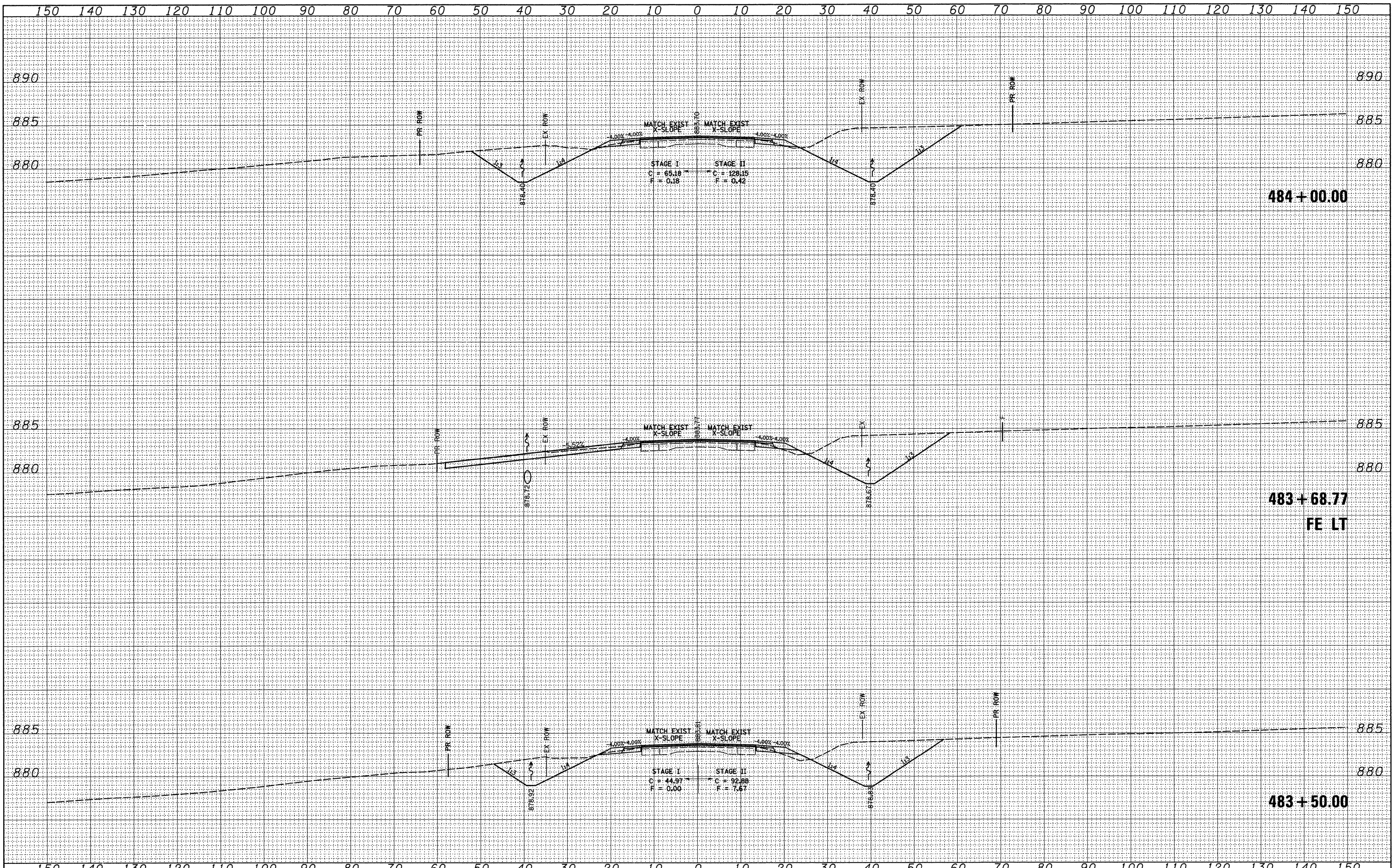
BY	DATE
SURVEYED	
PLOTTED	
TEMPLATE	
NOTE BOOK	
NO.	
AREAS CHECKED	



FILE NAME =	USER NAME = dmsdd	DESIGNED -	REVISED -	STATE OF ILLINOIS DEPARTMENT OF TRANSPORTATION	IL 73	F.A.P. RTE.	SECTION	COUNTY	TOTAL SHEETS	SHEET NO.
et\pw_work\PWIDOT\DOSSDD\dms33573\d02907.xml.dgn	PLOT SCALE = 10.0000' / IN.	DRAWN -	REVISED -			654	(107, 108, 109)RS-4	STEPHENSON	89	81
PLOT DATE = Wed Sep 24 09:18:46 2008	DATE -	CHECKED -	REVISED -			CONTRACT NO. 64C91				
		REVISIED -	REVISED -			FED. ROAD DIST. NO. 2 [ILLINOIS] FED. AID PROJECT				

DATE	
BY	
FINAL SURVEY	SURVEYED
NOTE BOOK NO.	PLOTTED
	TEMPLATE
	AREAS CHECKED

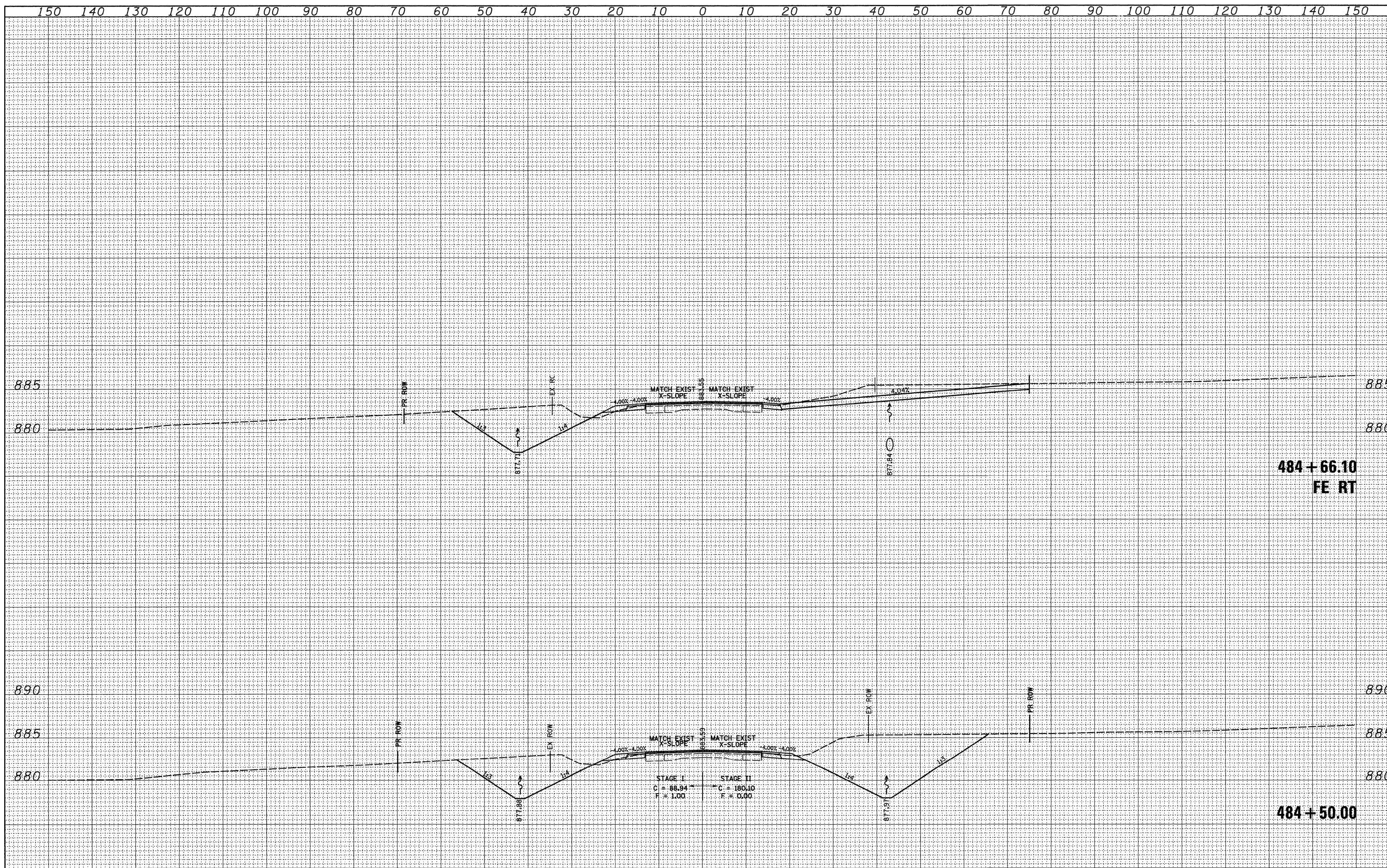
DATE	
BY	
ORIGINAL SURVEY	SURVEYED
NOTE BOOK NO.	PLOTTED
	TEMPLATE
	AREAS CHECKED



FILE NAME =	USER NAME = dssdd	DESIGNED -	REVISED -	STATE OF ILLINOIS DEPARTMENT OF TRANSPORTATION	IL 73	F.A.P. RTE.	SECTION	COUNTY	TOTAL SHEETS	SHEET NO.
ct\pw_work\FWIDOT\DOSSDD\dma33573\dl82907.xml.dgn		DRAWN -	REVISED -			654	(107, 108, 109)RS-4	STEPHENSON	89	82
PLOT SCALE = 10,0000' / IN.		CHECKED -	REVISED -			CONTRACT NO. 64C91				
PLOT DATE = Wed Sep 24 09:19:01 2008		DATE -	REVISED -			FED. ROAD DIST. NO. 2 [ILLINOIS] FED. AID PROJECT				
SCALE:						SHEET NO.	OF	SHEETS	STA. 483+50.00	TO STA. 484+00.00

FINAL SURVEY	SURVEYED	BY	DATE
NOTE BOOK NO.	PLOTTED		
	TEMPLATE		
	AREAS CHECKED		

ORIGINAL SURVEY	SURVEYED	BY	DATE
NOTE BOOK NO.	PLOTTED		
	TEMPLATE		
	AREAS CHECKED		



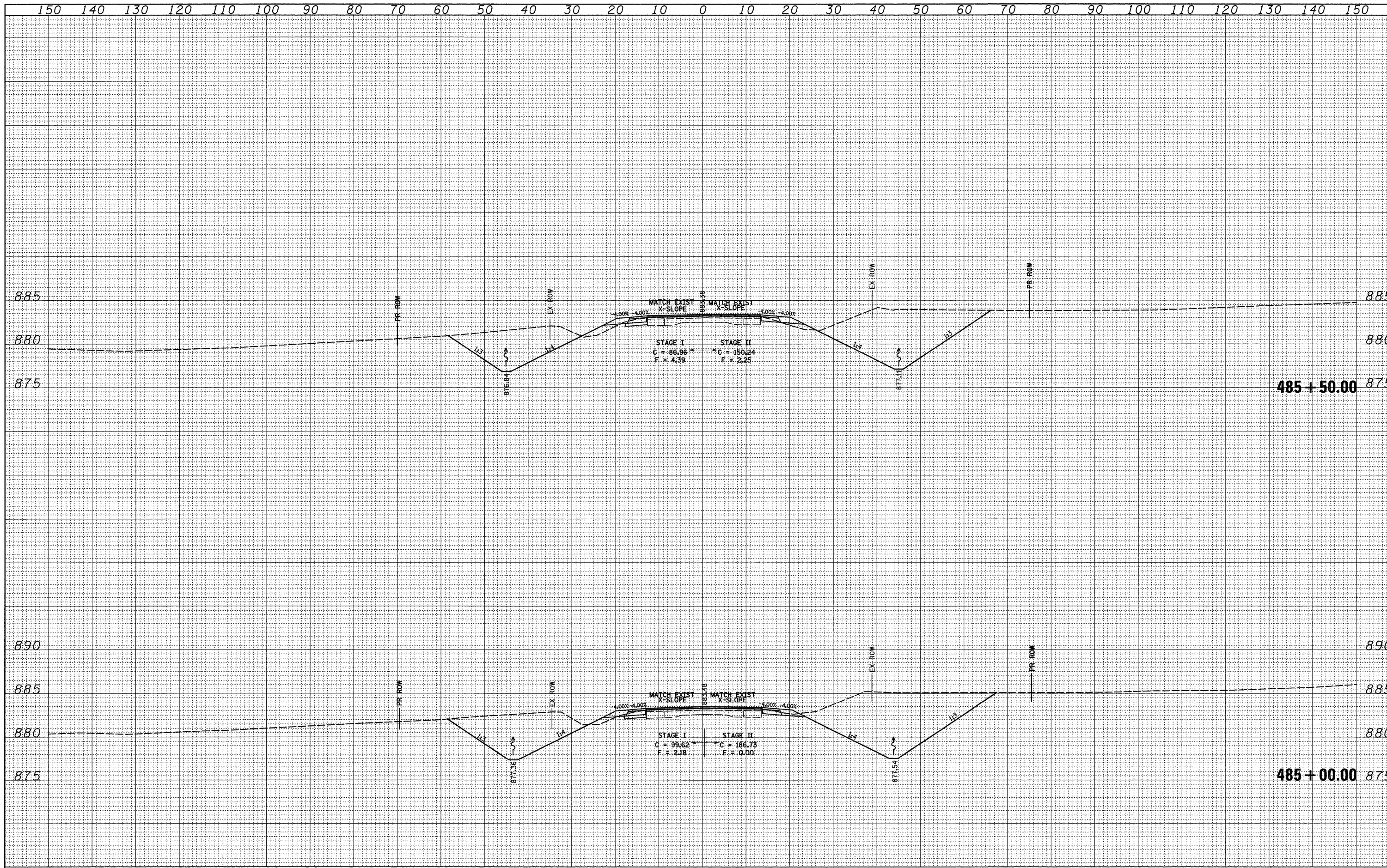
484 + 66.10
FE RT

484 + 50.00

FILE NAME =	USER NAME = dssdd	DESIGNED -	REVISED -	STATE OF ILLINOIS DEPARTMENT OF TRANSPORTATION	IL 73	F.A.P. RTE.	SECTION	COUNTY	TOTAL SHEETS	SHEET NO.	
et\pw_work\p\WIDOT\DOSSDD\dms33573\02907.xml.dgn	PLLOT SCALE = 10.0000' / IN.	DRAWN -	REVISED -			654	(107, 108, 109)RS-4	STEPHENSON	89	83	
	PLLOT DATE = Wed Sep 24 09:19:16 2008	CHECKED -	REVISED -			CONTRACT NO. 64C91					
		DATE -	REVISED -			FED. ROAD DIST. NO. 2 ILLINOIS FED. AID PROJECT					

BY	DATE
SURVEYED	
PLOTTED	
TEMPLATE	
NOTE BOOK	
AREAS CHECKED	

BY	DATE
ORIGINAL SURVEY	
PLOTTED	
TEMPLATE	
NOTE BOOK	
AREAS CHECKED	



FILE NAME =
 es:\pw_work\VPWIDOT\DOSSDD\dms33573\vd82987.xml.dgn

USER NAME = dossdd
 PLOT SCALE = 10.0000' / IN.
 PLOT DATE = Wed Sep 24 09:19:48 2008

DESIGNED -
 DRAWN -
 CHECKED -
 DATE -

REVISED -
 REVISED -
 REVISED -
 REVISED -

**STATE OF ILLINOIS
 DEPARTMENT OF TRANSPORTATION**

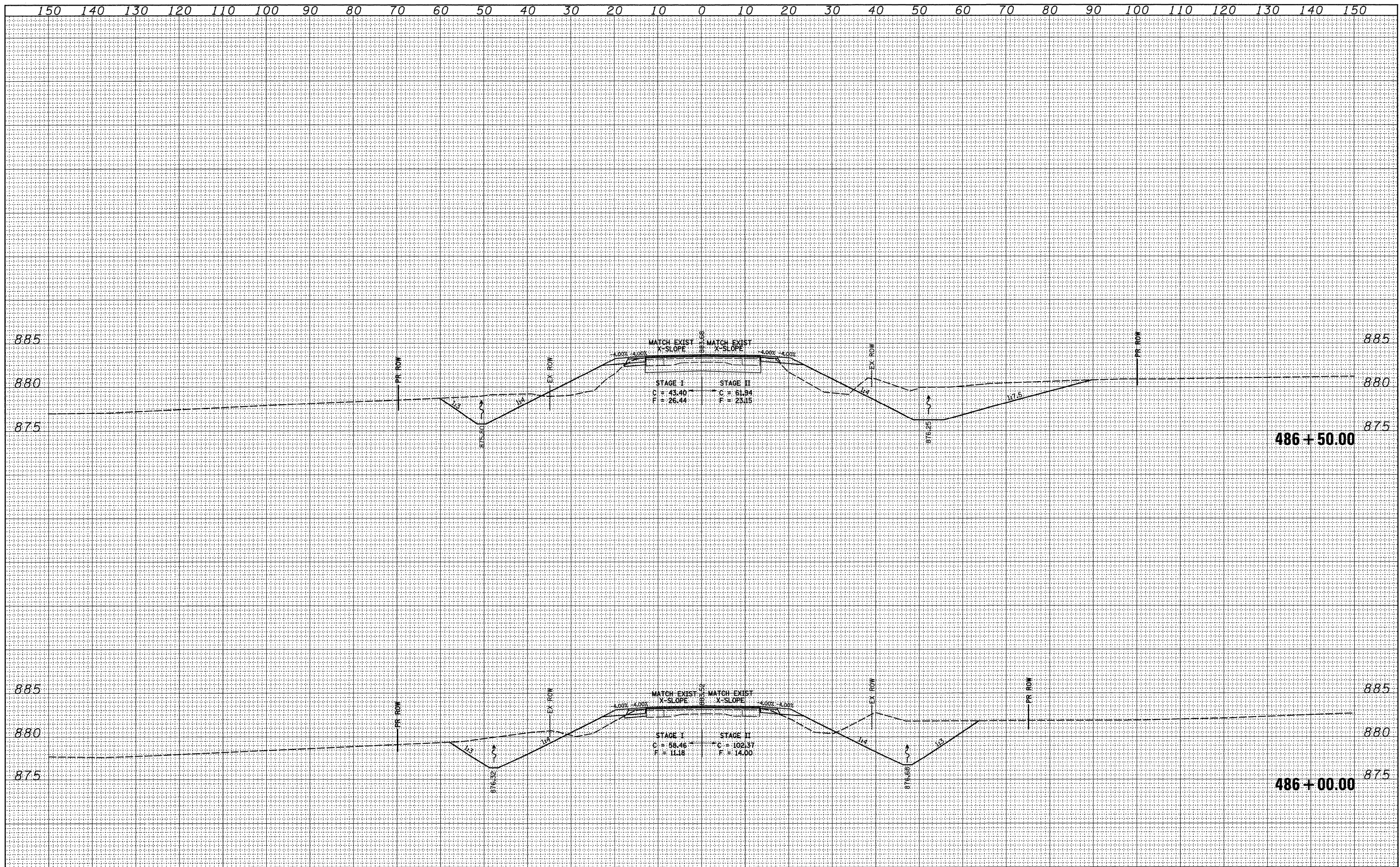
SCALE: SHEET NO. OF SHEETS STA. 485+00.00 TO STA. 485+50.00

IL 73

F.A.P. RTE.	SECTION	COUNTY	TOTAL SHEETS	SHEET NO.
654	(107, 108, 109)RS-4	STEPHENSON	89	84
CONTRACT NO. 64C91				
FED. ROAD DIST. NO. 2 [ILLINOIS] FED. AID PROJECT				

BY	DATE
SURVEYED	
PLOTTED	
TEMPLATE	
NOTE BOOK	
NO.	
AREAS CHECKED	

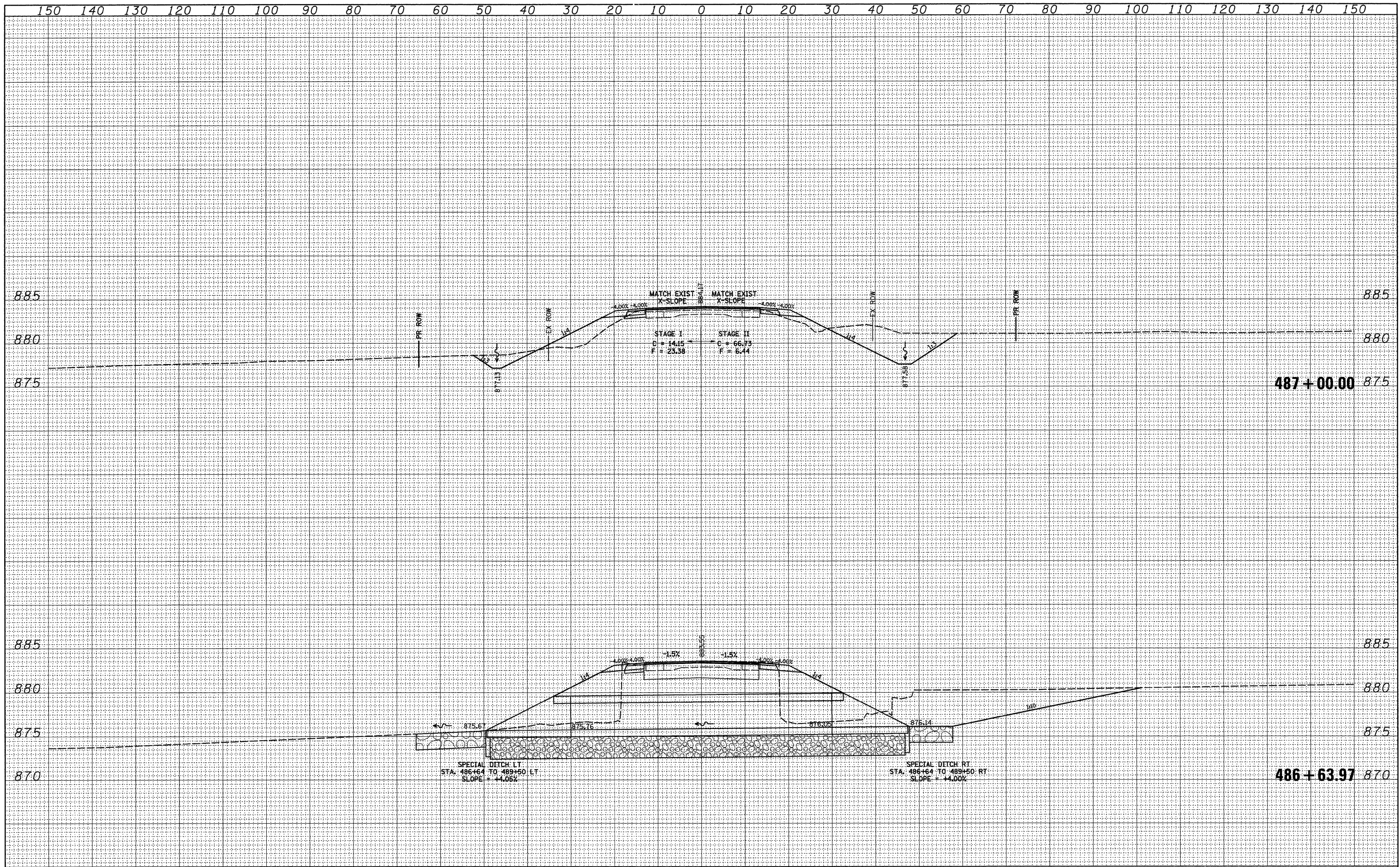
BY	DATE
SURVEYED	
PLOTTED	
TEMPLATE	
NOTE BOOK	
NO.	
AREAS CHECKED	



FILE NAME =	USER NAME = dssdd	DESIGNED -	REVISED -	STATE OF ILLINOIS DEPARTMENT OF TRANSPORTATION	IL 73	F.A.P. RTE.	SECTION	COUNTY	TOTAL SHEETS	SHEET NO.
et\pw\work\PWIDOT\DOSSDD\dms33573\082907.xml.dgn	PLOT SCALE = 10,0000' / IN.	DRAWN -	REVISED -			654	(107, 108, 109)RS-4	STEPHENSON	89	85
PLOT DATE = Wed Sep 24 09:20:02 2008	DATE -	CHECKED -	REVISED -			CONTRACT NO. 64C91				
		DATE -	REVISED -			FED. ROAD DIST. NO. 2 [ILLINOIS] FED. AID PROJECT				
SCALE:						SHEET NO. OF SHEETS STA. 486+00.00 TO STA. 486+50.00				

FINAL SURVEY	SURVISED	BY	DATE
PLOTTED	PLOTTED		
NOTE BOOK	NOTE BOOK		
AREAS CHECKED	AREAS CHECKED		

ORIGINAL SURVEY	SURVISED	BY	DATE
PLOTTED	PLOTTED		
NOTE BOOK	NOTE BOOK		
AREAS CHECKED	AREAS CHECKED		



FILE NAME =
 USER NAME = dssdd
 PLOT SCALE = 10,0000 ' / IN.
 PLOT DATE = Wed Sep 24 09:20:17 2008

DESIGNED -
 DRAWN -
 CHECKED -
 DATE -

REVISED -
 REVISED -
 REVISED -
 REVISED -

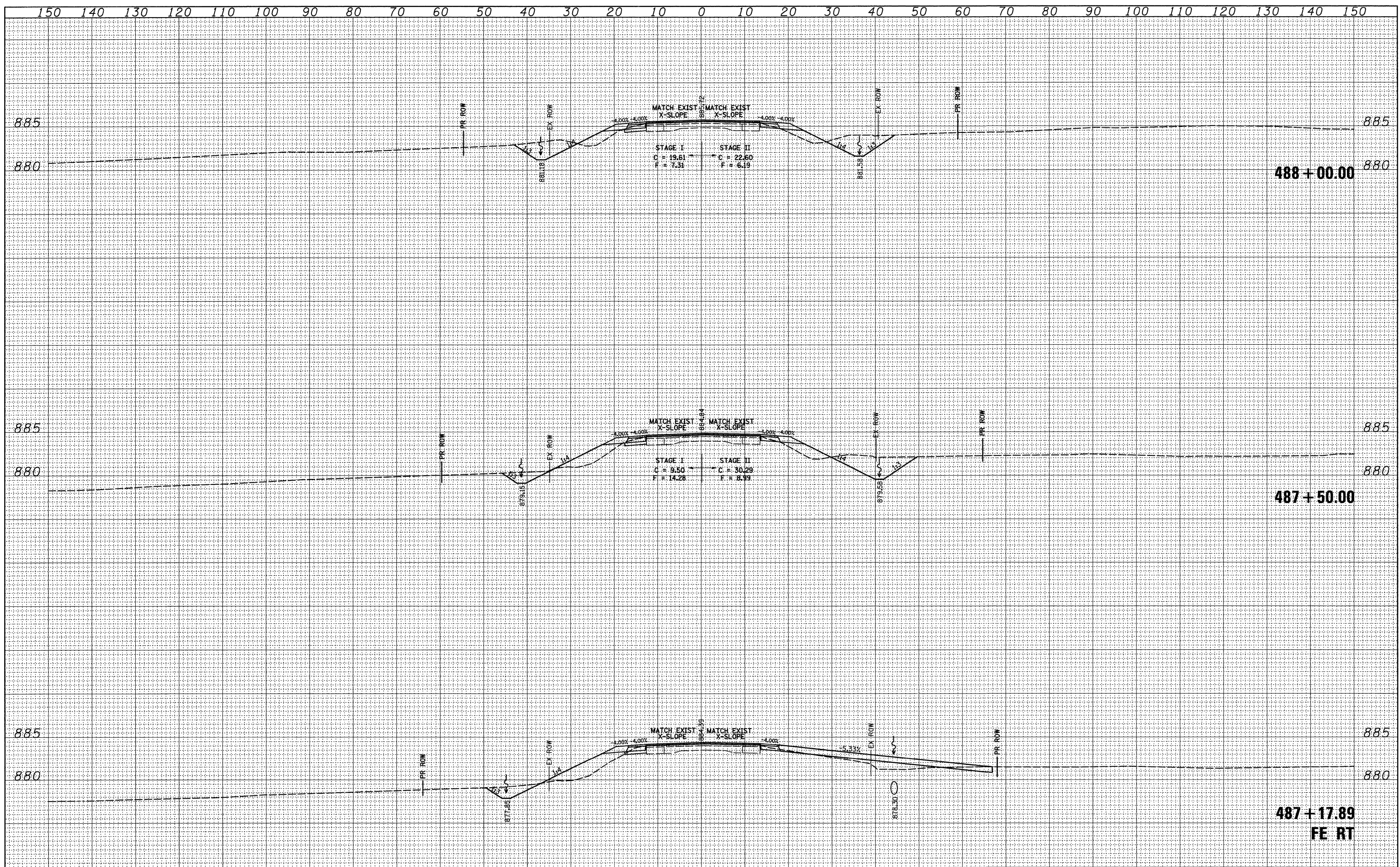
**STATE OF ILLINOIS
 DEPARTMENT OF TRANSPORTATION**

IL 73
 SCALE: SHEET NO. OF SHEETS STA. 486+63.97 TO STA. 487+00.00

F.A.P. RTE.	SECTION	COUNTY	TOTAL SHEETS	SHEET NO.
654	(107, 108, 109)RS-4	STEPHENSON	89	86
CONTRACT NO. 64C91				
FED. ROAD DIST. NO. 2 [ILLINOIS] FED. AID PROJECT				

DATE	
BY	
SURVEYED	
PLOTTED	
TEMPLATE	
NOTE BOOK	
NO.	
AREAS CHECKED	

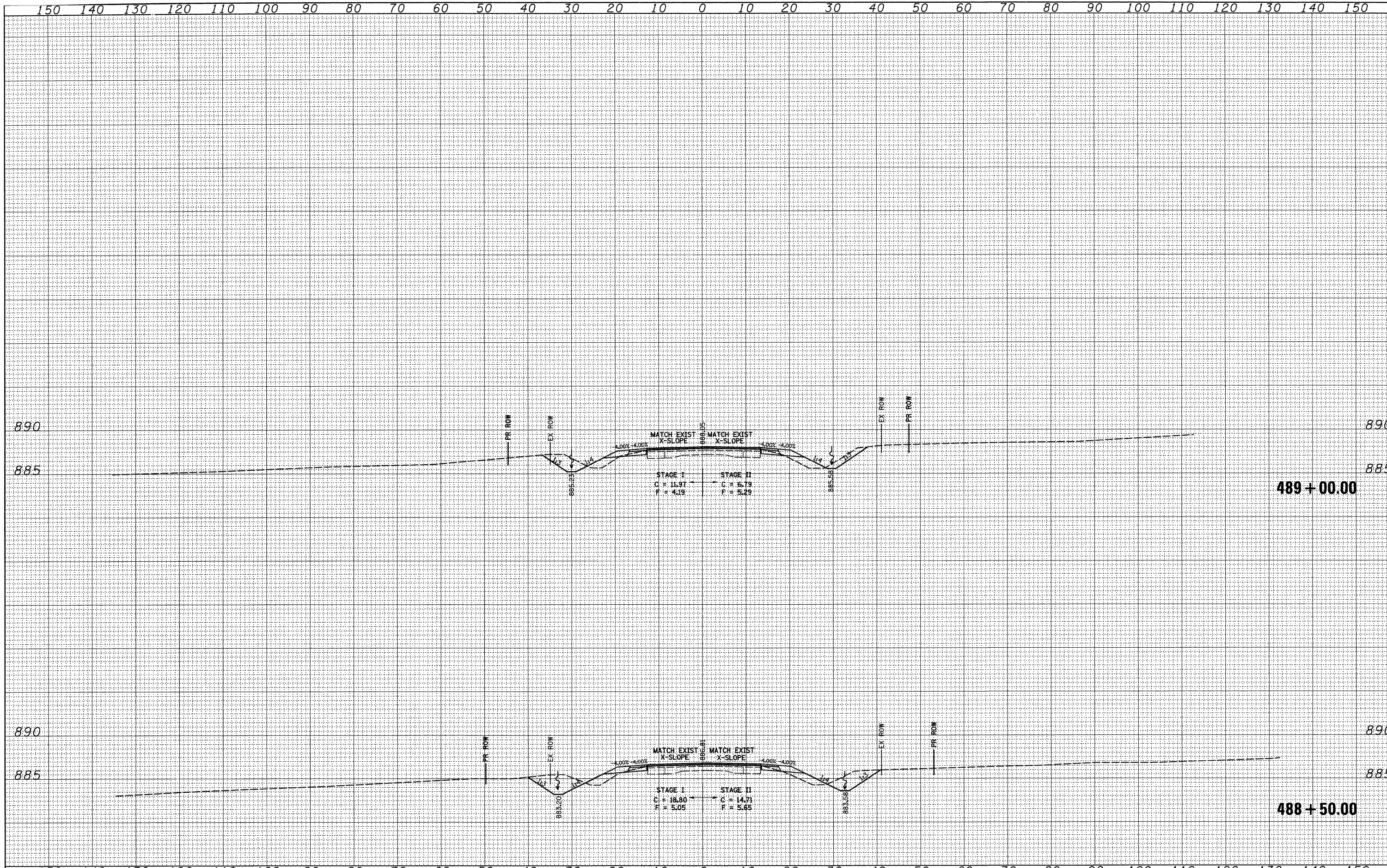
DATE	
BY	
SURVEYED	
PLOTTED	
TEMPLATE	
NOTE BOOK	
NO.	
AREAS CHECKED	



FILE NAME =	USER NAME = dmsdd	DESIGNED -	REVISED -	STATE OF ILLINOIS DEPARTMENT OF TRANSPORTATION	IL 73	F.A.P. RTE.	SECTION	COUNTY	TOTAL SHEETS	SHEET NO.
ci:\pw_work\PWID01\DOSSDD\dms33573\082907.xml.dgn	PLOT SCALE = 10,0000' / IN.	DRAWN -	REVISED -			654	(107, 108, 109)RS-4	STEPHENSON	89	87
PLOT DATE = Wed Sep 24 09:20:43 2008	DATE -	CHECKED -	REVISED -			CONTRACT NO. 64C91				
		REVISIED -	REVISED -			FED. ROAD DIST. NO. 2 ILLINOIS FED. AID PROJECT				

BY	DATE
SURVEYED	
PLOTTED	
TEMPLATE	
NOTE BOOK	
NO.	
AREAS CHECKED	

BY	DATE
SURVEYED	
PLOTTED	
TEMPLATE	
NOTE BOOK	
NO.	
AREAS CHECKED	



FILE NAME =
 cr:\pw\work\p\WIDOT\DOSSDD\dms33573\ld02907.xml.dgn

USER NAME = doasdd
 PLOT SCALE = 10.0000' / IN.
 PLOT DATE = Wed Sep 24 09:20:58 2008

DESIGNED -
 DRAWN -
 CHECKED -
 DATE -

REVISED -
 REVISED -
 REVISED -
 REVISED -

**STATE OF ILLINOIS
 DEPARTMENT OF TRANSPORTATION**

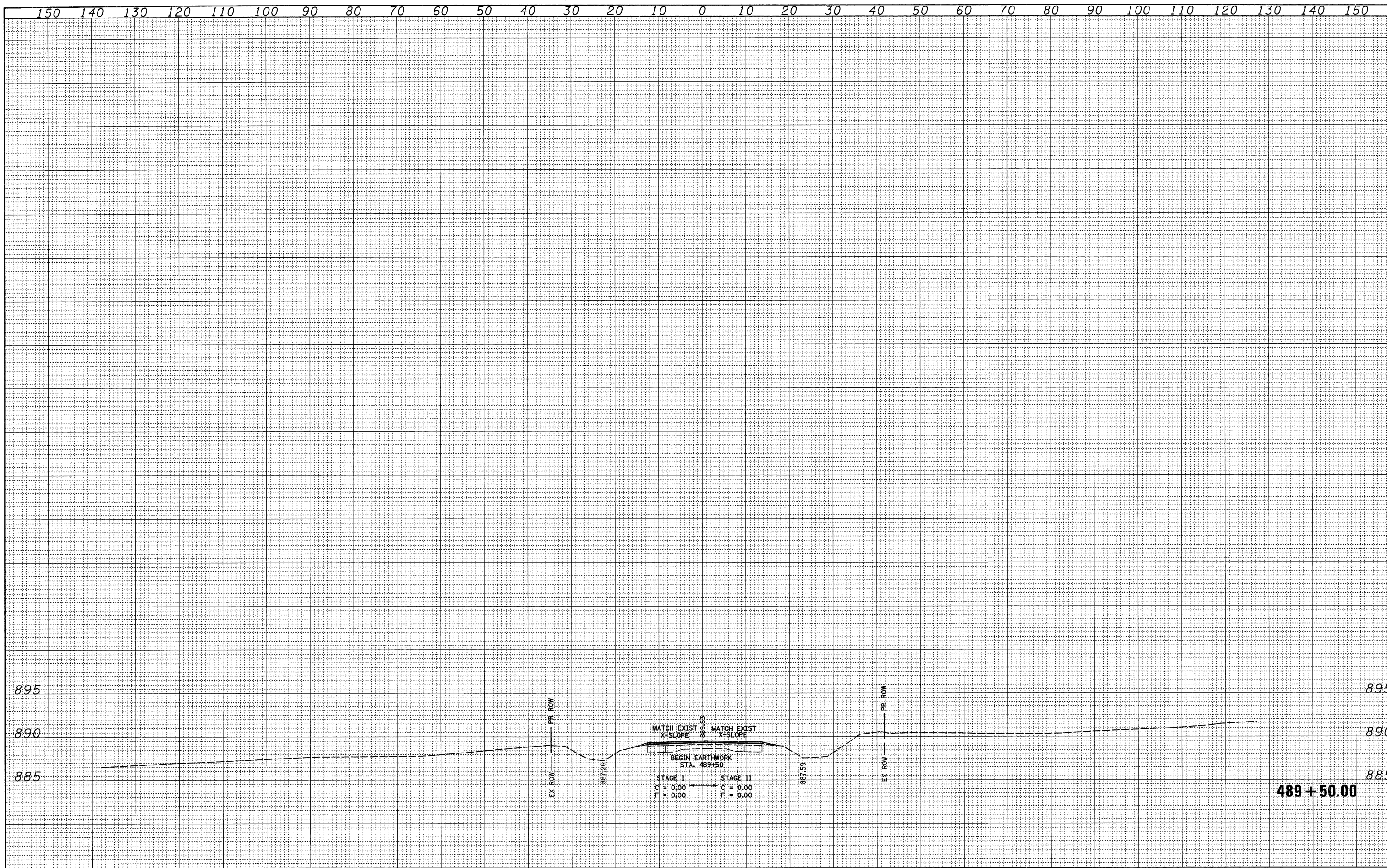
SCALE: SHEET NO. OF SHEETS STA. 488+50.00 TO STA. 489+00.00

F.A.P. RTE.	SECTION	COUNTY	TOTAL SHEETS	SHEET NO.
654	(107, 108, 109)RS-4	STEPHENSON	89	88
CONTRACT NO. 64C91				
FED. ROAD DIST. NO. 2 ILLINOIS FED. AID PROJECT				

IL 73

DATE	
BY	
FINAL SURVEY	
SURVEYED	
PLOTTED	
TEMPLATE	
NOTE BOOK	
NO.	
AREAS CHECKED	

DATE	
BY	
ORIGINAL SURVEY	
SURVEYED	
PLOTTED	
TEMPLATE	
NOTE BOOK	
NO.	
AREAS CHECKED	



FILE NAME =	USER NAME = dssdd	DESIGNED -	REVISED -	STATE OF ILLINOIS DEPARTMENT OF TRANSPORTATION	IL 73	F.A.P. RTE.	SECTION	COUNTY	TOTAL SHEETS	SHEET NO.	
ce\pw\work\PWIDOT\DOSSDD\dms33573\082907.xml.dgn	PLOT SCALE = 10,0000' / IN.	DRAWN -	REVISED -			654	(107, 108, 109)RS-4	STEPHENSON	89	89	
	PLOT DATE = Wed Sep 24 09:21:12 2008	CHECKED -	REVISED -			CONTRACT NO. 64C91					
		DATE -	REVISED -			SCALE:	SHEET NO.	OF	SHEETS	STA. 489+50.00	TO STA. 489+50.00