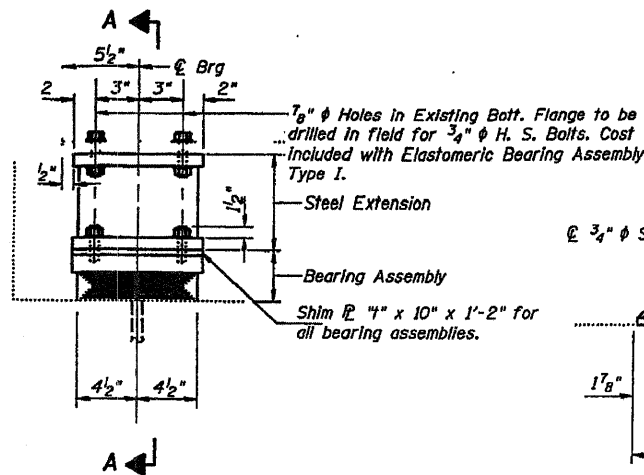
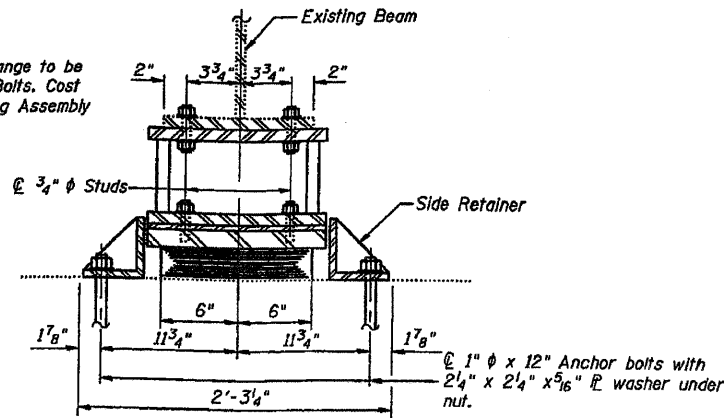


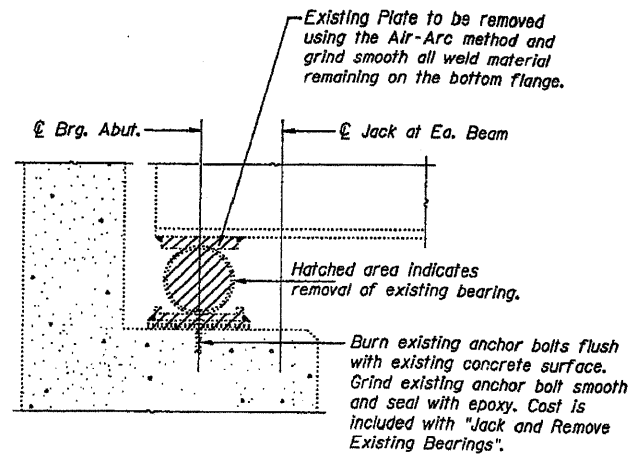
F.A. RTE.	SECTION	COUNTY	TOTAL SHEETS	SHEET NO.
---	---	---	14	8
STA. ----- TO STA. -----		FED. ROAD DIST. NO. ILLINOIS FED. AID PROJECT		



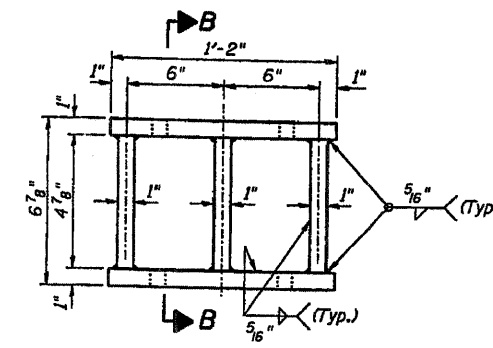
ELEVATION AT ABUT.



SECTION A-A

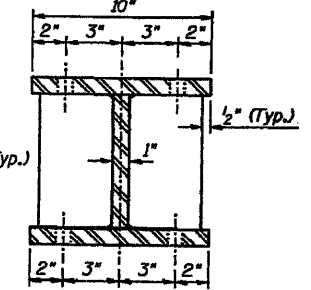


EXISTING BEARING REMOVAL DETAIL AT ABUTMENTS



STEEL EXTENSION DETAIL

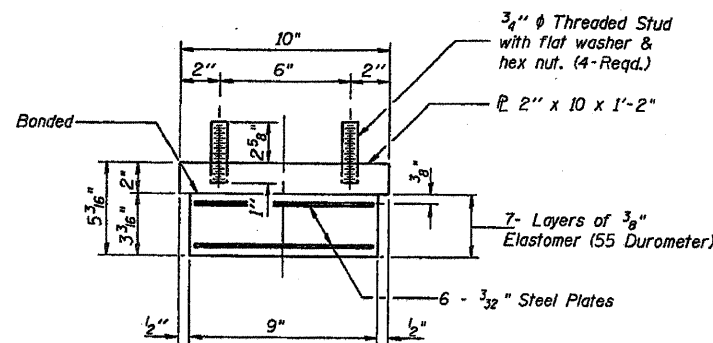
- * FAP 5 & FAI 39 (US 20 Bus. & I-39)
- ** Section D2 Bridge Painting 2009-1
- *** Stephenson & Winnebago Counties



SECTION B-B

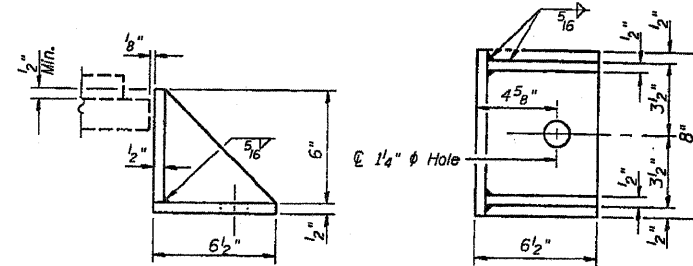
TYPE I ELASTOMERIC EXP. BRG.

Note: See sheet 14 for Anchor Bolt Installation.

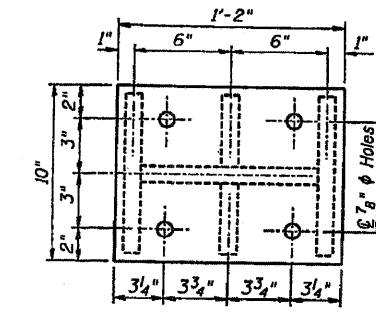


BEARING ASSEMBLY

Note: Shim plates shall not be placed under Bearing Assembly.



SIDE RETAINER



PLAN TOP AND BOTTOM PLATE

Note: Prior to ordering any material, the Contractor shall verify in the field all bearing height and shim thickness dimensions.

Beam No.	Shim ϕ Thickness $\frac{1}{16}$ "											
	1	2	3	4	5	6	7	8	9	10	11	12
North Abut.	0	0	0	0	0	0	0	0	0	0	0	0
South Abut.	0	9/16"	0	9/16"	0	9/16"	9/16"	0	9/16"	0	9/16"	0

JACK AND REMOVE EXISTING BEARINGS NOTES

1. The Contractor shall submit for approval by the Engineer, plans for jacking prior to commencing any work at the bearings.
2. Jacking and removing existing bearing shall be done after existing deck removal is completed and before a new deck is poured. The existing Abutment Diaphragms shall remain in place.
3. The maximum dead load reaction with deck removed (per bearing) at each abutment is 4.4k. Minimum jack capacity at the abutments is 8.8k.
4. The new bearings and steel extensions shall be in place and the jacks shall be lowered before the new concrete deck is poured.

BILL OF MATERIAL

Item	Unit	Total
Elastomeric Bearing Assembly Type I	Each	24
Jack and Remove Existing Bearings	Each	24
Furnishing and Erecting Structural Steel	Pound	4448

Note: All items detailed on this sheet shall be included with "Elastomeric Bearing Assembly Type I" unless noted otherwise.

DESIGNED	L.C.M.	20
CHECKED	S.D.K.	EXAMINED
DRAWN	T.L.N.	PASSED
CHECKED	S.D.K.	ENGINEER OF BRIDGES AND STRUCTURES

Existing Plans SN 089-0008 FOR INFORMATION ONLY