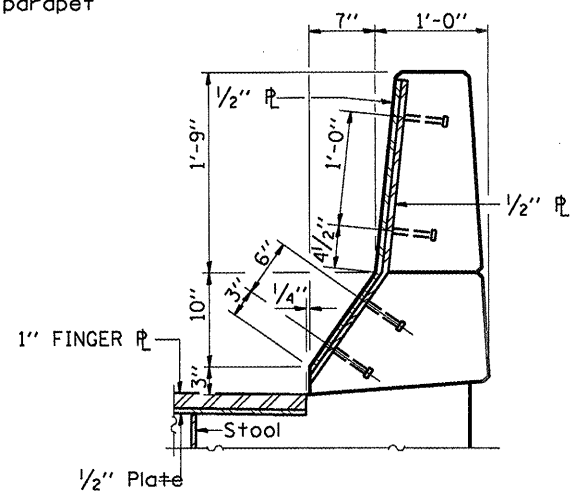
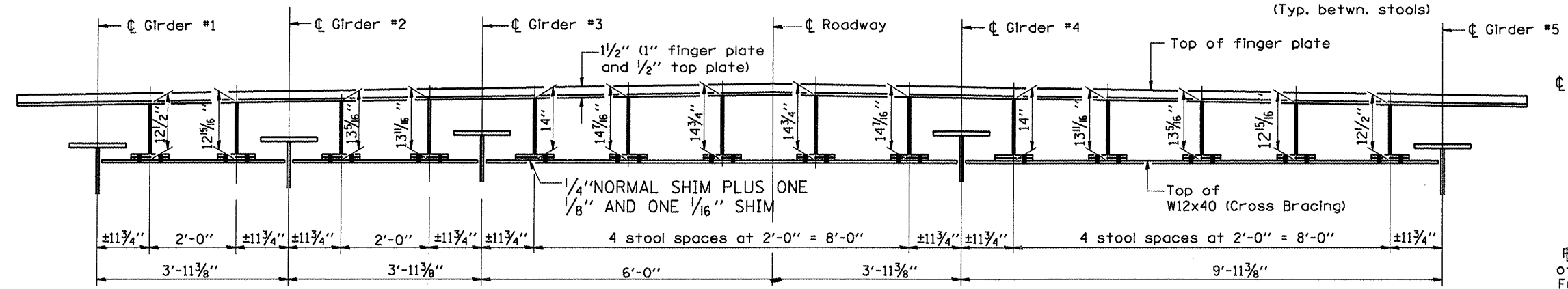


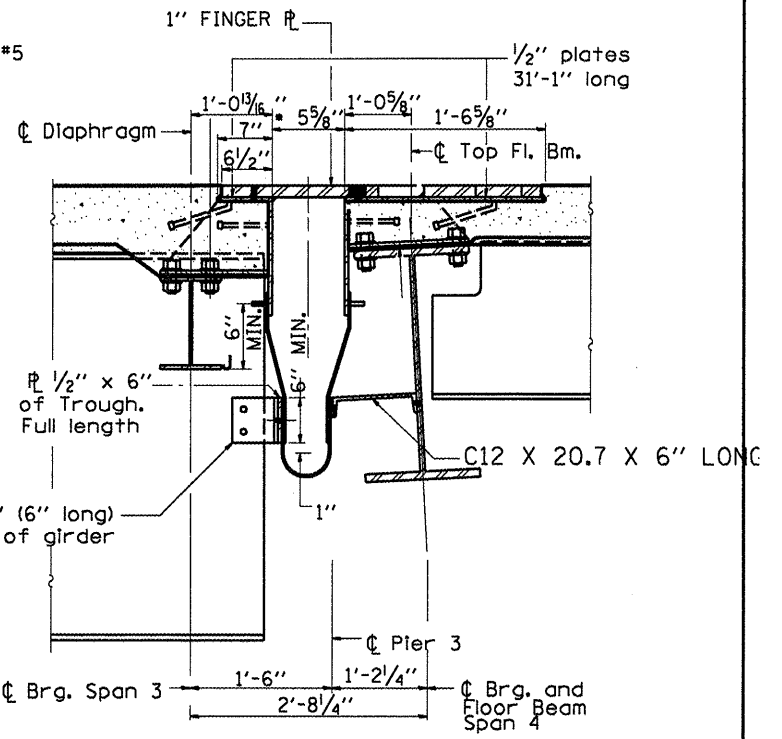
PLAN AT PIER 3



SECTION D-D



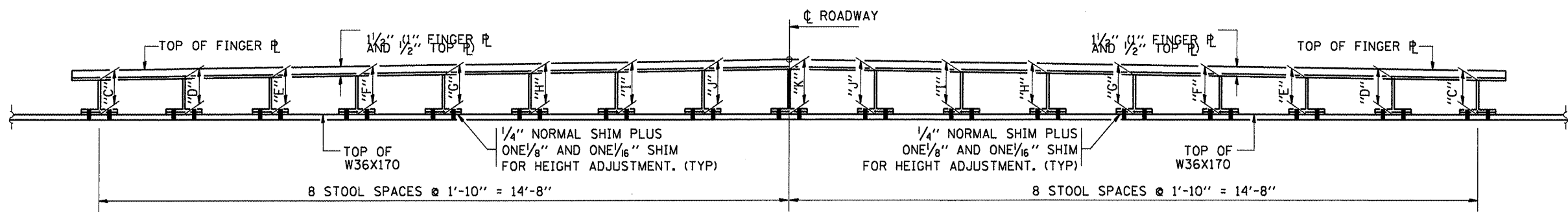
SECTION B-B



SECTION A-A

STOOL HEIGHTS

	"C"	"D"	"E"	"F"	"G"	"H"	"I"	"J"	"K"
PIER 3	6 3/16"	6 5/16"	7"	7 3/8"	7 3/4"	8 1/16"	8 1/8"	8 3/4"	9 1/8"
SPAN 4									



SECTION C-C

**EXPANSION JOINT
AT PIER 3
FAP RTE 46 SEC (1-BD)BP
LASALLE COUNTY
STA 204+67.75
SN 050-0079**