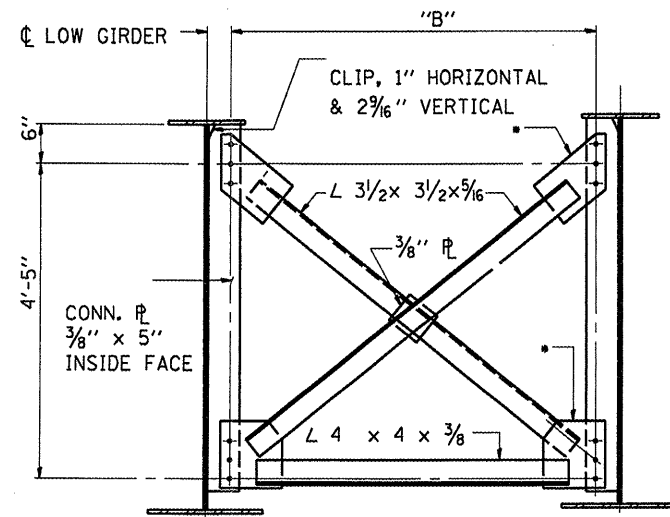
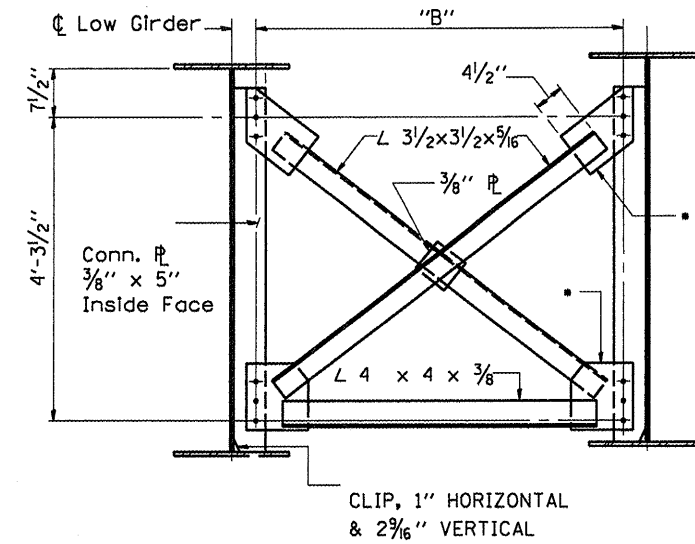


CROSS FRAME CF

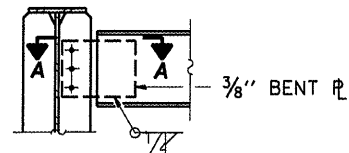


CROSS FRAME CF1

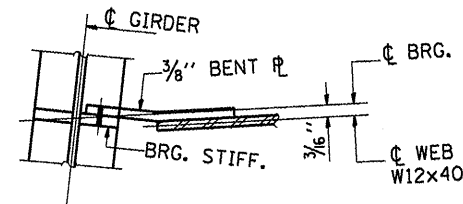


CROSS FRAME CF2

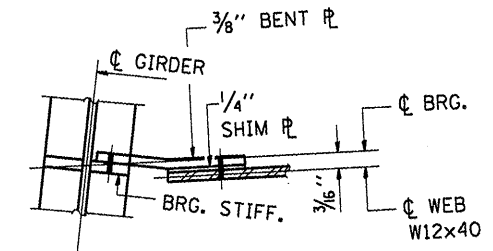
* 3/8" BENT PL (SPANS 2 & 3 - GIRDERS 1, 2 & E. SIDE OF 3)
3/8" PL (ALL OTHER LOCATION)



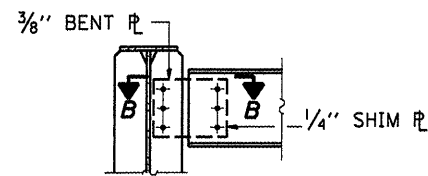
DETAILS "A"
(AT GIRDER 1 - SPANS 2 & 3)



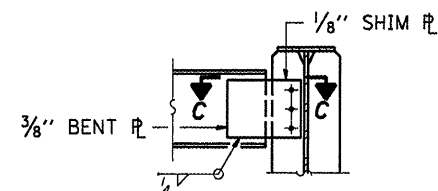
SECTION A-A



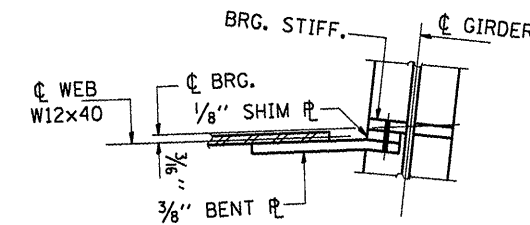
SECTION B-B



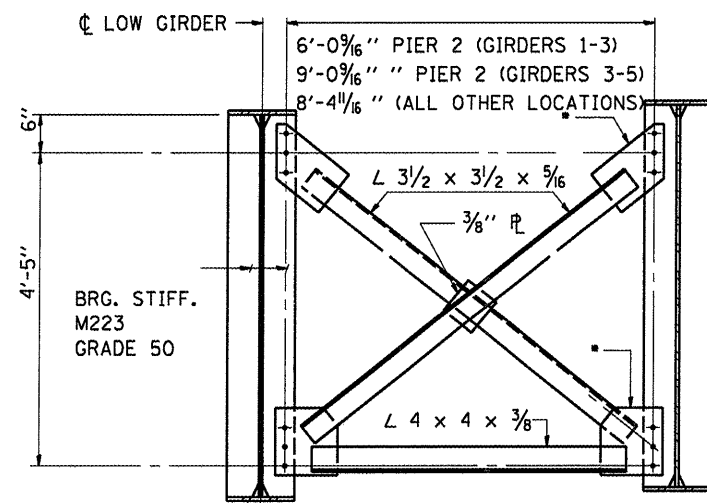
DETAILS "A"
(AT GIRDER 2 - SPANS 2 & 3)



DETAILS "B"
(AT GIRDER 2 - SPANS 2 & 3)



SECTION C-C



CROSS FRAME CF3

TABLE OF DIMENSIONS "A" AND "B"

LOCATION		"A"	"B"
SPANS 2 & 3	GIRDERS 1-3	9'-3 5/8" (PIER 1)	8'-10 5/16" (N. END) TO
	GIRDERS 3-5	3'-3 5/8" (PIER 3)	3'-11 1/16" (S. END)
SPANS 7-12	All Girders	9'-3 5/8"	8'-9"
		8'-7 1/16"	

STRUCTURAL STEEL
FAP RTE 46 SEC (1-BD)BP
LASALLE COUNTY
STA 204+67.75
SN 050-0079

FILE NAME =	USER NAME = woodshankr1	DESIGNED = RON WOODSHANK	REVISED =
et\p\work\VPWIDOT\WOODSHANKRL\dms29370	d366854-sht-details.dgn	DRAWN = RON WOODSHANK	REVISED =
	PLOT SCALE = 1/8" = 1'-0" IN.	CHECKED =	REVISED =
	PLOT DATE = Oct 15, 2008 - 07:06:36 AM	DATE =	REVISED =

STATE OF ILLINOIS
DEPARTMENT OF TRANSPORTATION

FOR INFORMATION ONLY

SCALE: _____ SHEET NO. 12 OF 30 SHEETS STA. 193+08.08 TO STA. 216+13.82

F.A.P. RTE.	SECTION	COUNTY	TOTAL SHEETS	SHEET NO.
46	(1-BD)BP	LASALLE	38	20
FED. ROAD DIST. NO. ILLINOIS FED. AID PROJECT			CONTRACT NO. 66854	