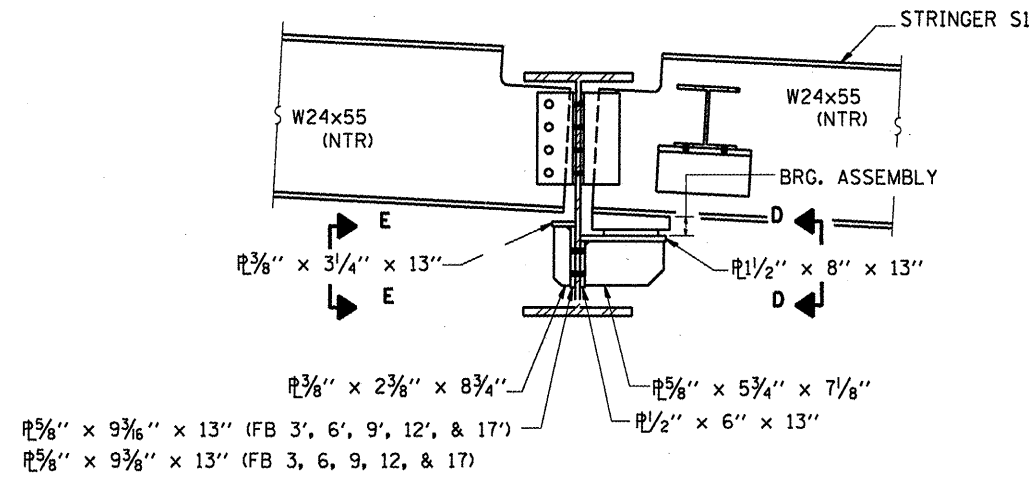


END VIEW
SHOWING WEST END
(EAST END OPPOSITE HAND)

ELEVATION - FLOOR BEAM AT RELIEF JOINTS

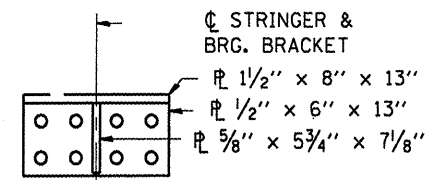


SECTION A-A
(Looking East)
BRG. ON S. SIDE OF FB3, 6, 9, 12 & 17
BRG. ON N. SIDE OF FB3', 6' 9' 12' & 17'

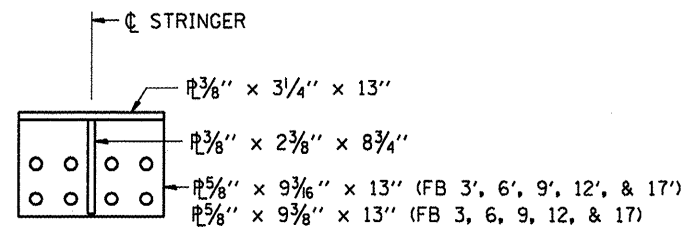
TABLE OF "X" DIMENSIONS

Floor Beam	"x"	"x1"
FB3 (N)	34'-11"	2'-8"
FB3 (S)	34'-11"	2'-8"
FB3' (N)	34'-11"	2'-8"
FB3' (S)	34'-11"	2'-8"
FB6 (N)	34'-10 1/4"	2'-7 5/8"
FB6 (S)	34'-10 1/4"	2'-7 5/8"
FB6' (N)	34'-10 1/4"	2'-7 5/8"
FB6' (S)	34'-10 1/4"	2'-7 5/8"
FB9 (N)	34'-8 1/2"	2'-6 3/4"
FB9 (S)	34'-8 1/2"	2'-6 3/4"
FB9' (N)	34'-8 1/2"	2'-6 3/4"
FB9' (S)	34'-8 1/2"	2'-6 3/4"
FB12 (N)	34'-8"	2'-6 1/2"
FB12 (S)	34'-8"	2'-6 1/2"
FB12' (N)	34'-8"	2'-6 1/2"
FB12' (S)	34'-8"	2'-6 1/2"
FB17 (N)	34'-10 1/4"	2'-7 5/8"
FB17 (S)	34'-10 1/4"	2'-7 5/8"
FB17' (N)	34'-10 1/4"	2'-7 5/8"
FB17' (S)	34'-10 1/4"	2'-7 5/8"

(N) = NORTH SIDE OF FLOOR BEAM



VIEW D-D



VIEW E-E

FLOOR BEAM DETAILS
FAP RTE 46 SEC (1-BD)BP
LASALLE COUNTY
STA 204+67.75
SN 050-0079

FILE NAME =	USER NAME = woodshankr1	DESIGNED = RON WOODSHANK	REVISED =
ca:\pwwork\PMIDOT\WOODSHANKR1\dms29370	d366854-sht-details.dgn	DRAWN = RON WOODSHANK	REVISED =
	PLOT SCALE = 1/8" = 1'-0" / IN.	CHECKED =	REVISED =
	PLOT DATE = Oct 15, 2008 - 07:06:50 AM	DATE =	REVISED =

STATE OF ILLINOIS
DEPARTMENT OF TRANSPORTATION

FOR INFORMATION ONLY

SCALE: _____ SHEET NO. 15 OF 30 SHEETS STA. 193+08.08 TO STA. 216+13.82

F.A.P. RTE.	SECTION	COUNTY	TOTAL SHEETS	SHEET NO.
46	(1-BD)BP	LASALLE	38	23
FED. ROAD DIST. NO. - [ILLINOIS] FED. AID PROJECT			CONTRACT NO. 66854	